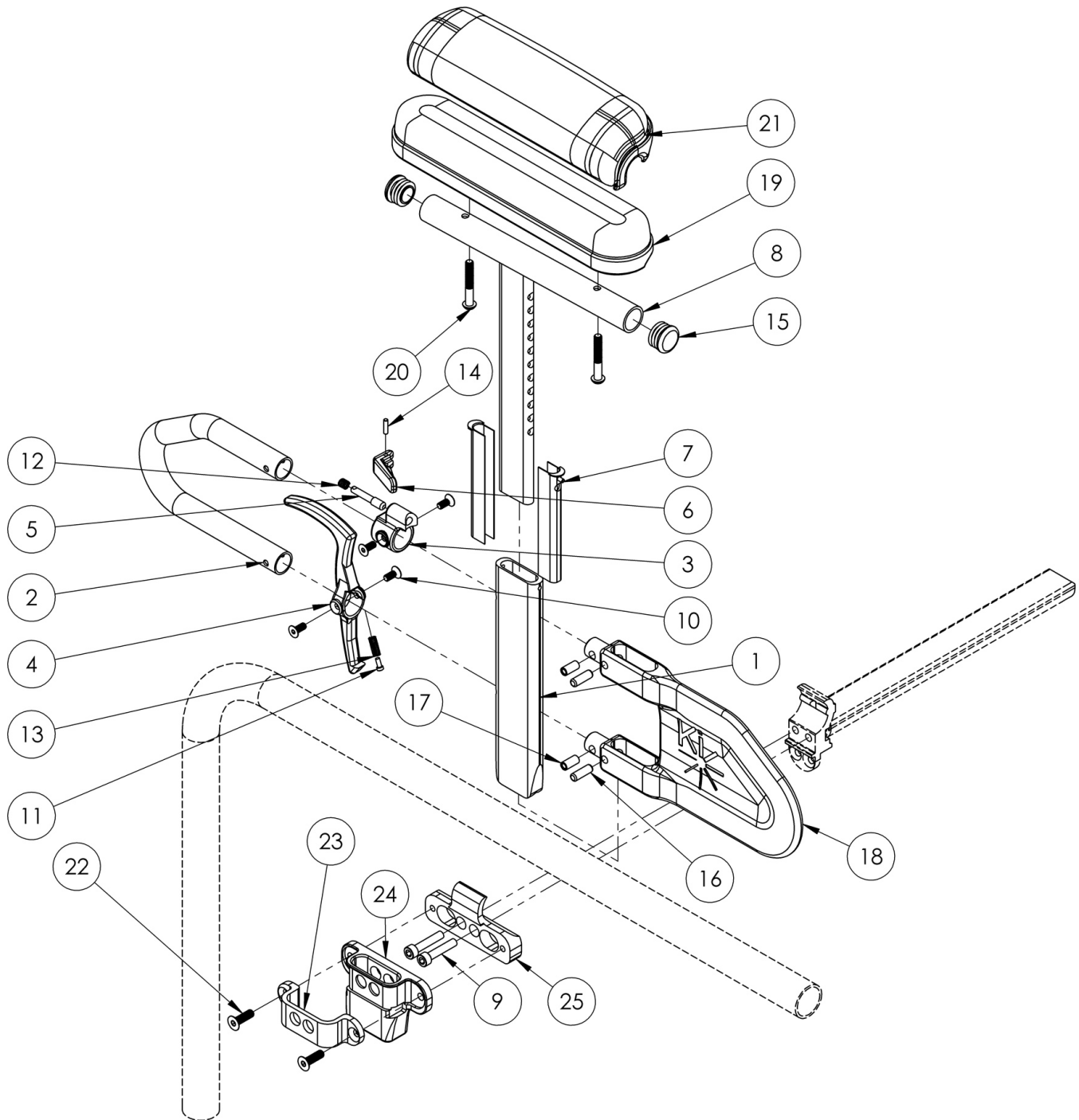


Clik Height Adjustable T-Arm



This design effective December 6, 2017 If retrofitting, Receivers are needed. If retrofitting to Height Adjustable T-Arms and One Arm Drive is present, a new drive shaft may be required

| Item Number | Part Number | Description | Quantity |
|--------------------------------|-------------|---|----------|
| 1-7, 8a, 9-18, 19b, 20a, 22-25 | 506066 | Height Adj T-Arm Assm w/ Short Side Shield, Standard Pad Desk and Receiver PAIR, CLIK | 1 |

| Item Number | Part Number | Description | Quantity |
|--------------------------------|-------------|--|----------|
| 1-7, 8b, 9-18, 19a, 20a, 22-25 | 506068 | Height Adj T-Arm Assm w/ Short Side Shield, Standard Pad Full and Receiver PAIR, CLIK | 1 |
| 1-7, 8a, 9-18, 20b, 21b, 22-25 | 506070 | Height Adj T-Arm Assm w/ Short Side Shield, Waterfall Pad Desk and Receiver PAIR, CLIK | 1 |
| 1-7, 8b, 9-18, 20b, 21a, 22-25 | 506072 | Height Adj T-Arm Assm w/ Short Side Shield, Waterfall Pad Full and Receiver PAIR, CLIK | 1 |
| 1-7, 8a, 9-18, 19b, 20a, 22-25 | 506065 | Height Adj T-Arm Assm w/ Short Side Shield, Standard Pad Desk and Receiver, CLIK | 1 |
| 1-7, 8b, 9-18, 19a, 20a, 22-25 | 506067 | Height Adj T-Arm Assm w/ Short Side Shield, Standard Pad Full and Receiver, CLIK | 1 |
| 1-7, 8a, 9-18, 20b, 21b, 22-25 | 506069 | Height Adj T-Arm Assm w/ Short Side Shield, Waterfall Pad Desk and Receiver, CLIK | 1 |
| 1-7, 8b, 9-18, 20b, 21a, 22-25 | 506071 | Height Adj T-Arm Assm w/ Short Side Shield, Waterfall Pad Full and Receiver, CLIK | 1 |
| 1-7, 8a, 10-18, 19b, 20a | 505647 | Height Adjustable T-Arm Assembly w/ Short Side Shield and Standard Pad Desk, Pair | 1 |
| 1-7, 8b, 10-18, 19a, 20a | 505645 | Height Adjustable T-Arm Assembly w/ Short Side Shield and Standard Pad Full, Pair | 1 |
| 1-7, 8a, 10-18, 20b, 21b | 505651 | Height Adjustable T-Arm Assembly w/ Short Side Shield and Waterfall Pad Desk, Pair | 1 |
| 1-7, 8b, 10-18, 20b, 21a | 505649 | Height Adjustable T-Arm Assembly w/ Short Side Shield and Waterfall Pad Full, Pair | 1 |
| 1-7, 8a, 10-18, 19b, 20a | 505646 | Height Adjustable T-Arm Assembly w/ Short Side Shield and Standard Pad Desk | 1 |
| 1-7, 8b, 10-18, 19a, 20a | 505644 | Height Adjustable T-Arm Assembly w/ Short Side Shield and Standard Pad Full | 1 |
| 1-7, 8a, 10-18, 20b, 21b | 505650 | Height Adjustable T-Arm Assembly w/ Short Side Shield and Waterfall Pad Desk | 1 |
| 1-7, 8b, 10-18, 20b, 21a | 505648 | Height Adjustable T-Arm Assembly w/ Short Side Shield and Waterfall Pad Full | 1 |
| 4, 10, 11, 13 | 505507 | Height Adjustable T-Arm Release Lever Assembly | 1 |
| 9, 22 - 25 | 502498 | Height Adj T-Arm Receiver Assm CLIK | 1 |
| 16-18 | 506082 | Height Adjustable T-Arm Short Shield Assembly | 1 |
| 1-7, 10-14, 16-18 | 004160 | Height Adjustable T-Arm Lower Assembly Short <i>Does not include t-arm upper, arm pad or arm pad screws</i> | 1 |
| 1-7, 8a, 10-18 | 003463 | Height Adjustable T-Arm Short Desk <i>Does not include arm pad or arm pad screws</i> | 1 |
| 1-7, 8b, 10-18 | 003464 | Height Adjustable T-Arm Short Full <i>Does not include arm pad or arm pad screws</i> | 1 |
| 3, 5, 6, 10, 12, 14 | 505490 | Height Adjustable T-Arm Upper Latch Assembly | 1 |

| Item Number | Part Number | Description | Quantity |
|-------------|-------------|---|----------|
| 1 | 000089 | Height Adjustable T Armrest Post | 1 |
| 2 | 000095 | Height Adjustable T Armrest Transfer Tube | 1 |
| 7 | 000090 | Height Adjustable T Armrest Shim | 2 |
| 8a, 15 | 112906 | Height Adjustable T Armrest Upper Desk w/ Tube End Plug | 1 |
| 8b, 15 | 112907 | Height Adjustable T Armrest Upper Full w/ Tube End Plug | 1 |
| 9 | 102627 | M6 X 30 SHCS BLK ZC | 2 |
| 10 | 003458 | M5 X 12mm FHCS BLK ZN W/ Patch | 4 |
| 11 | 000152 | Height Adjustable T Armrest Release Spring Button | 1 |
| 13 | 000135 | Height Adjustable T Armrest Release Lever Spring | 1 |
| 15 | 100803 | Tube End Plug 7/8" | 2 |
| 16 | 003641 | .25" x .75" Dowel Pin | 2 |
| 17 | 003457 | M5 x 14mm Barrel Nut | 2 |
| 19a | 100500 | Arm Pad Full | 1 |
| 19b | 100501 | Arm Pad Desk | 1 |
| 20a | 100696 | M5 x 30mm PPH Capscrew <i>Used with Standard Arm Pads</i> | 2 |
| 20b | 100654 | M5 x 40 DIN7985 PH Pan HD M/S ZC <i>Used with Waterfall Arm Pads</i> | 2 |
| 21a | 102452 | Waterfall Arm Pad Full | 1 |
| 21b | 102521 | Waterfall Arm Pad Desk | 1 |
| 22 | 102624 | M6 X 22 FHCS BLK ZC | 2 |
| 23 | 002774 | T-Arm Bracket Clik | 1 |
| 24 | 002773 | T-Arm Receiver Clik | 1 |
| 25 | 002772 | Standard T-Arm Mount Clik | 1 |