



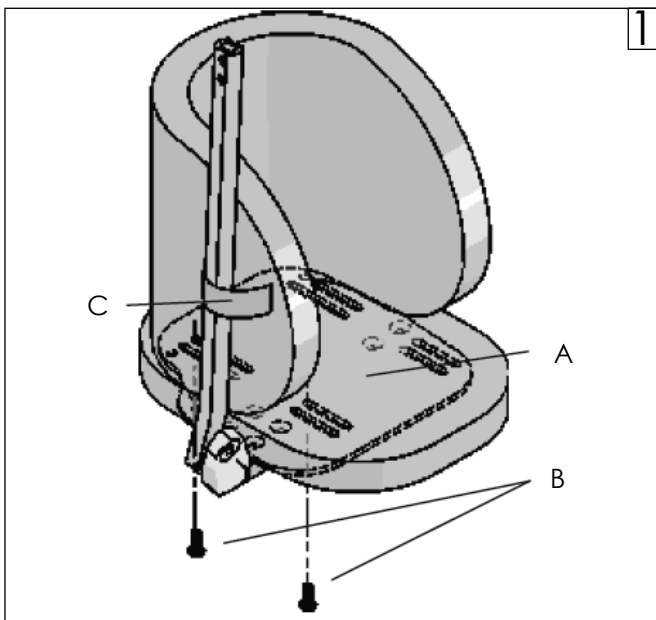
Please read these instructions carefully before beginning the assembly. Failure to understand and follow assembly instructions may result in injury to technician and/or end user and may void the warranty. If you have any questions call Sunrise Medical Technical Support at +1 (800) 333-4000.

**Parts:**

1. Single Footbox (x1)
2. Screws (x2)

**Required tools:**

1. 4mm Hex Wrench (x1)

**1. Mount Single Footbox onto footplate**

- a. Fasten Single Footbox onto footplate (A) using screws (B). (Fig 1)
- b. See drill guide (Fig 2, on back of this sheet) if footplate holes cannot accommodate Single Footbox holes.
- c. Place hook and loop strap (C) around legrest extension bar.

**⚠️ DEALER/TECHNICIAN WARNING**

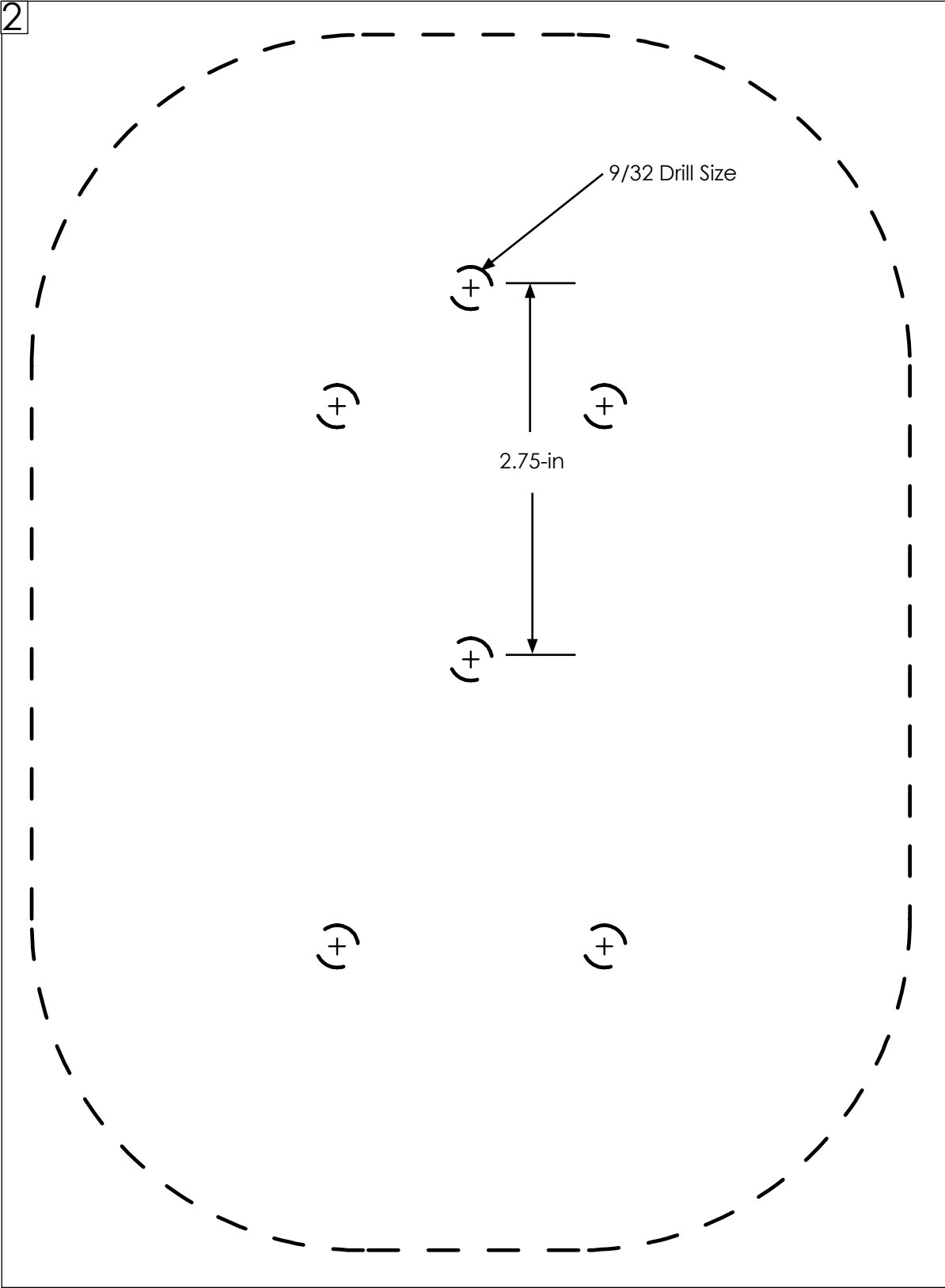
Attention dealers and qualified technicians, do not operate or service this device without first reading the owners manual. If you do not understand the instructions and warnings in the owners manual please contact the Quickie Technical Service Department before operating and/or servicing the JAY device. Failure to do so may result in damage and/or injury.

Find more information and important warnings see the wheelchair owner's manual or at: [www.Sunrisemedical.com](http://www.Sunrisemedical.com).

**Sunrise Medical 2842 N. Business Park Ave Fresno, CA 93727 USA**

**Customer Service: +1(800) 333-4000  
or visit [www.SunriseMedical.com](http://www.SunriseMedical.com)**

2



Sunrise Medical 2842 N. Business Park Ave Fresno, CA 93727 USA



Customer Service: +1(800) 333-4000  
or visit [www.SunriseMedical.com](http://www.SunriseMedical.com)

© 2024 Sunrise Medical (US) LLC  
02/2024 129296 Rev.B Page 2 of 2