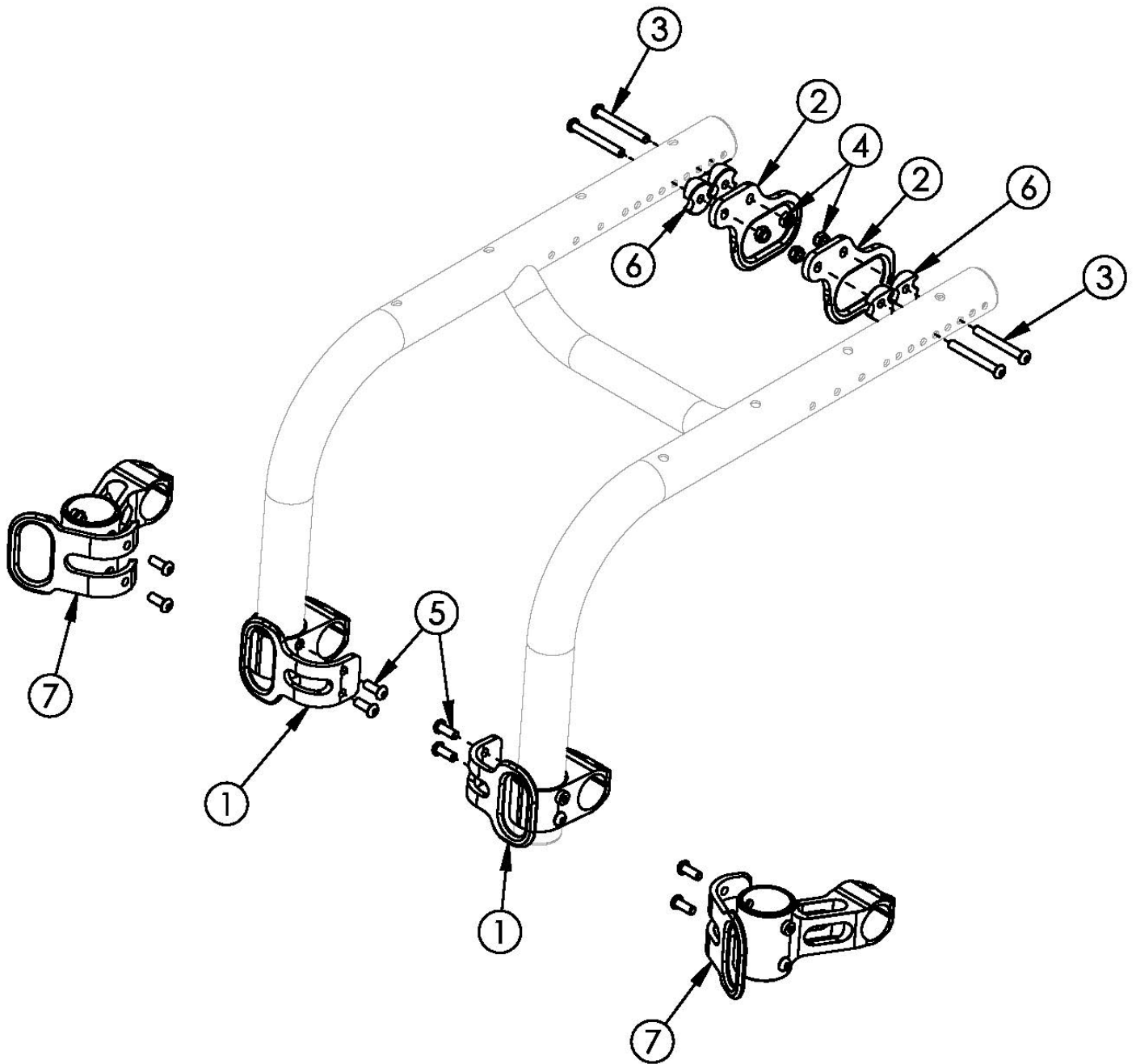


# Little Wave XP Transit



*Notice: Chair configuration review required prior to parts being quoted or ordered. 125 pound maximum weight capacity with transit system. If transit is present and changing from pediatric to standard caster mounts, new front transit brackets are required New Frame needed when changing to new Caster Mount Style.*

Item Number	Part Number	Description	Quantity
1 - 6	506839	Transit Bracket Retrofit Kit for Pediatric Caster Mounts, RG ALX <i>This kit is a complete retrofit, containing a pair of front and rear transit brackets and hardware.</i>	1

Item Number	Part Number	Description	Quantity
2 - 7	506838	Transit Bracket Retrofit Kit for Standard Caster Mounts, RG ALX <i>This kit is a complete retrofit, containing a pair of front and rear transit brackets and hardware.</i>	1
3	003232	M6 x 55 BHCS Blk Zc	4
4	100658	M6 Nylock Nut Blk Zn	4
5	101708	M6 x 14 BTN SHCS BLKZC w/Patch	4
6	000248	Saddle 1.375"	4