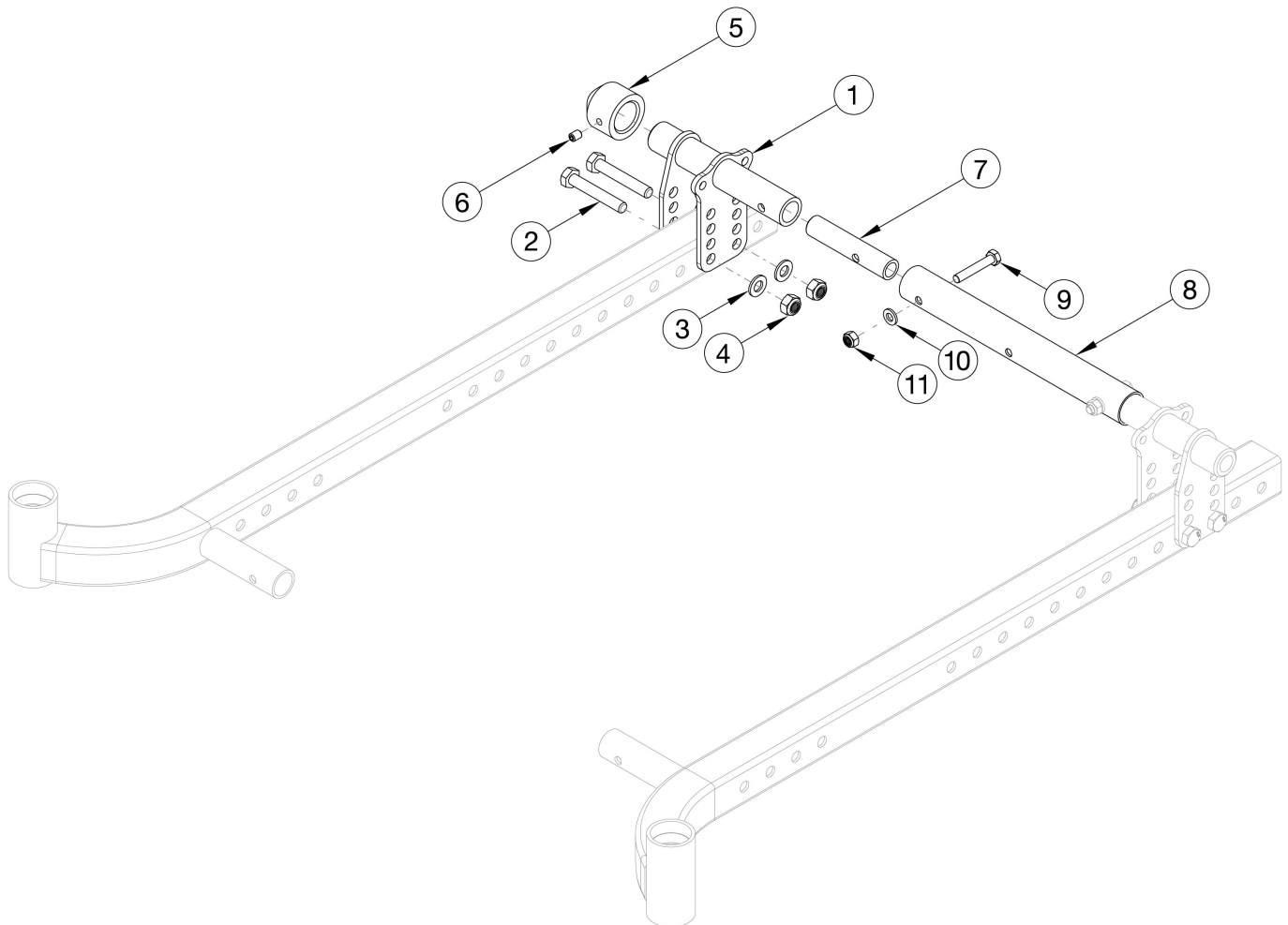


# CR45 Axle Plate



Item Number	Part Number	Description	Quantity
1	112500	Weldment Axle Plate, CR45	2
2	112533	HHCS, M8x1.25x50, CLS10.9, BLZ, ISO7380	2
3	101858	Washer Flat M8 Blk Zn	2
4	100659	M8 Nylock Nut Blk Zn	2
5	112503	Spacer, Wheel, .47" <i>Used when the Attendant Foot Lock and 12" or 16" wheels are present. Also used when the Attendant Foot Lock OR T-Arms are present in combination with the MAXX Mag wheels.</i>	1
6	102090	M6 Set Screw Flat Point	1
7	112501	Threaded Axle Receiver	1

Item Number	Part Number	Description	Quantity
8a	112450	Frame Strut Tube 14W	1
8b	112451	Frame Strut Tube 15W	1
8c	112452	Frame Strut Tube 16W	1
8d	112453	Frame Strut Tube 17W	1
8e	112454	Frame Strut Tube 18W	1
8f	112455	Frame Strut Tube 19W	1
8g	112456	Frame Strut Tube 20W	1
8h	112457	Frame Strut Tube 21W	1
8i	112458	Frame Strut Tube 22W	1
9	102386	M6 x 35mm HHCS Blk Zc	1
10	100746	M6 Flat Washer Blk Zn	1
11	100658	M6 Nylock Nut Blk Zn	1