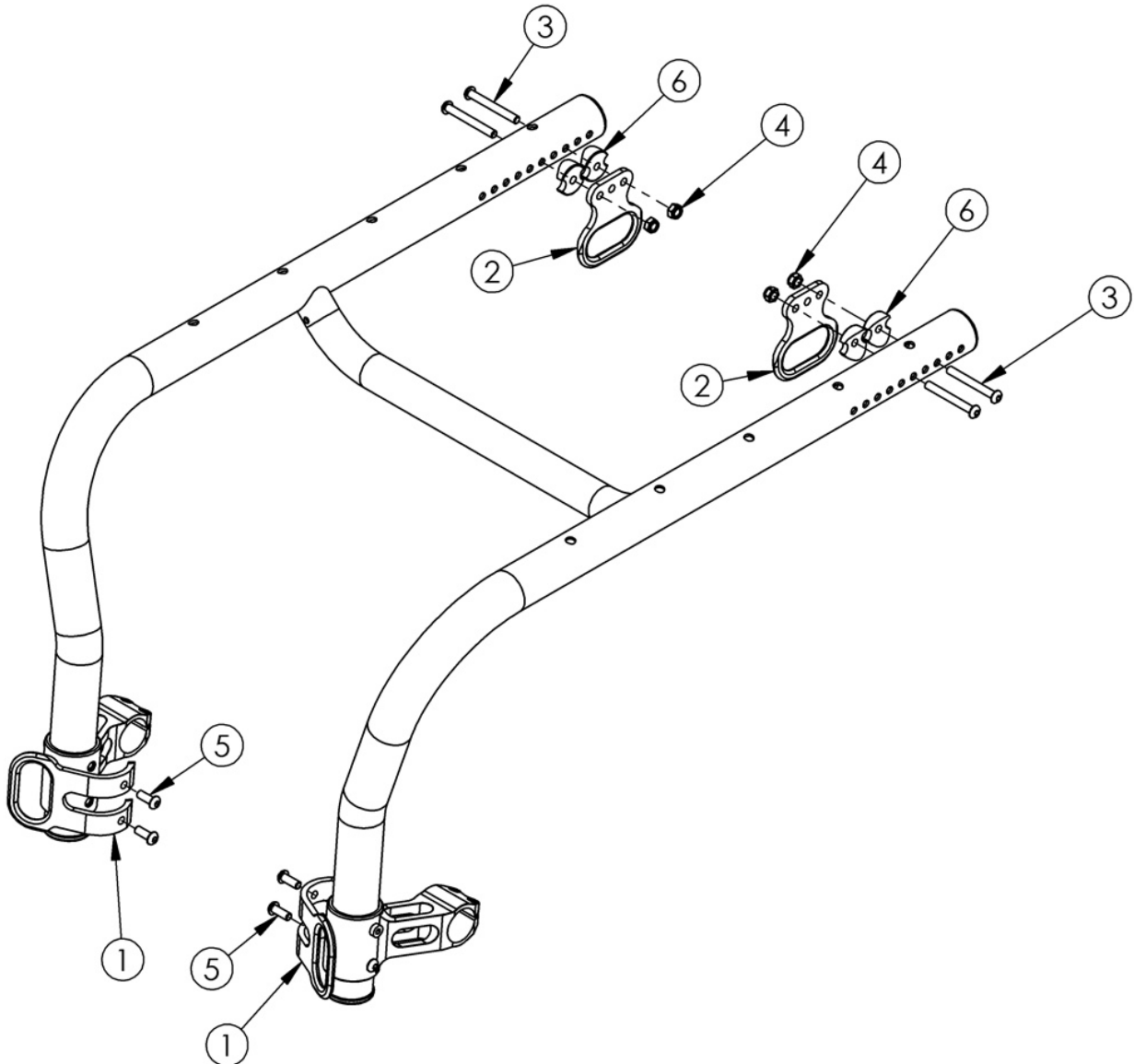


(Discontinued) Tsunami Transit



This Tsunami Transit is discontinued and was used on serial numbers prior to TSTR004553 (if ordered on chair). Not available with Heavy Duty Option

Item Number	Part Number	Description	Quantity
3	003232	M6 x 55 BHCS Blk Zc	4
4	100658	M6 Nylock Nut Blk Zn	4
5	101708	M6 x 14 BTN SHCS BLKZC w/Patch	4

Item Number	Part Number	Description	Quantity
6	000248	Saddle 1.375"	4