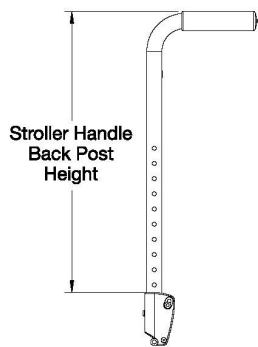
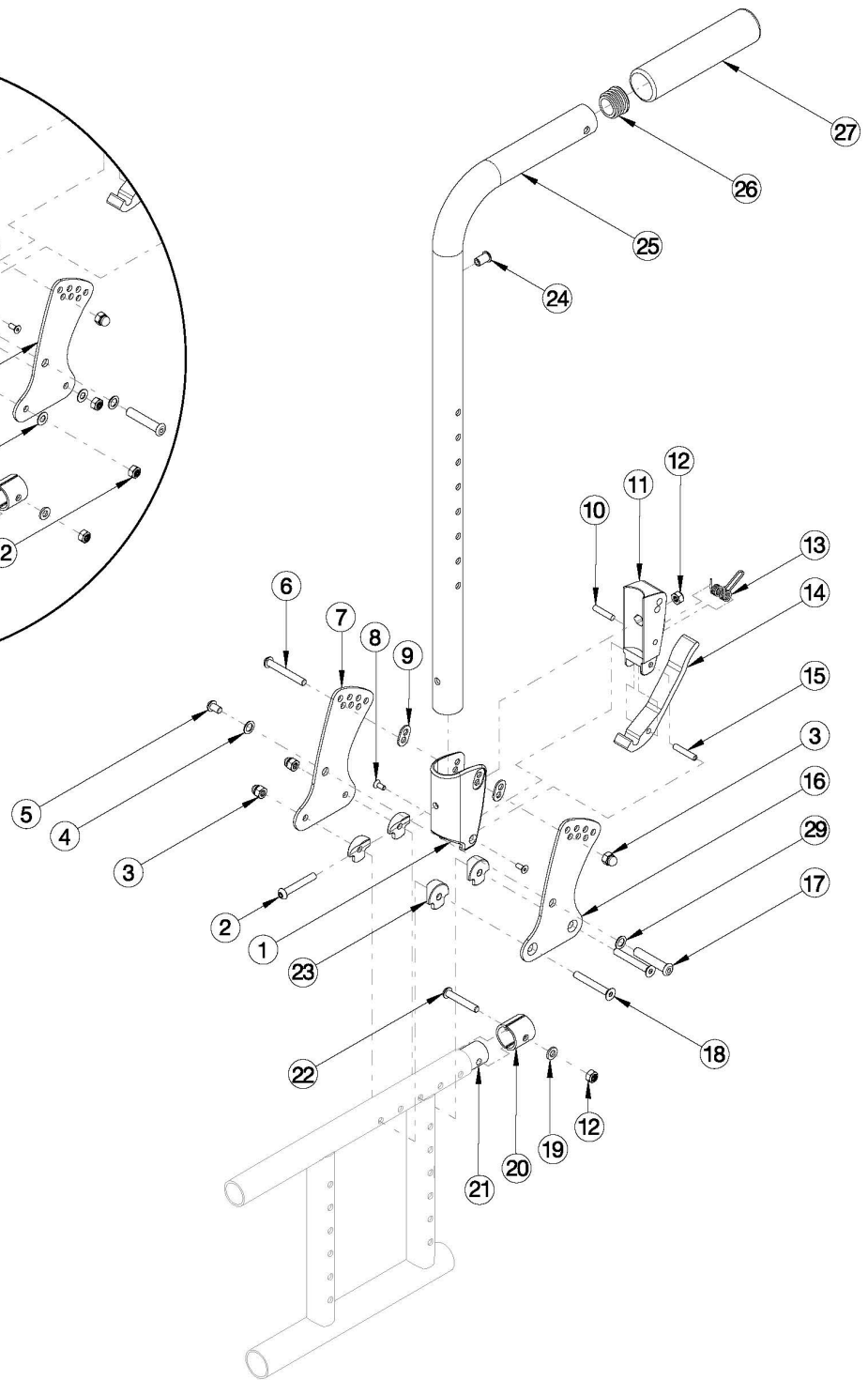
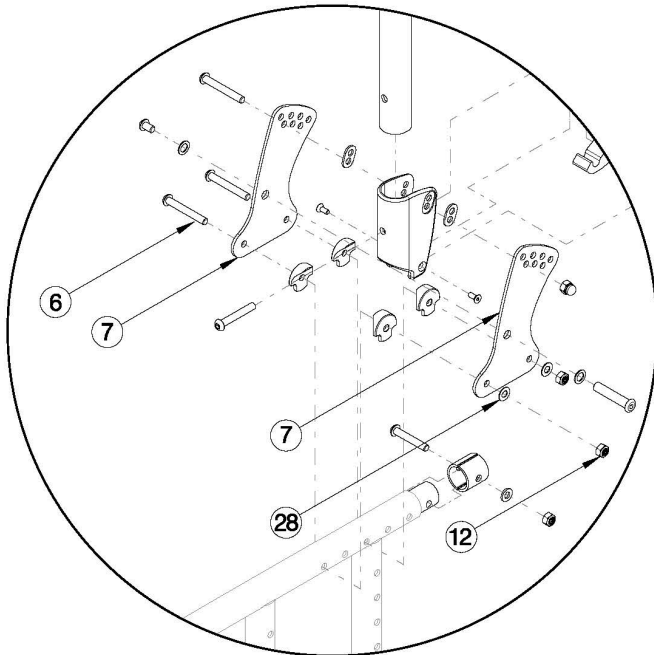


Catalyst Stroller Handle Back Post (Depth Adjustable)

Seating System Cross Braces



Stroller Handle Back Post	Height
Short	18.5"
Tall	22.5"

This backrest style was released February 8th, 2021. If changing from another style backrest and the Drum Brake is present, a new Drum Brake Cable Kit may be required.

Item Number	Part Number	Description	Quantity
1-15, 16a, 17-20, 22-24, 25a, 26, 27, 29	112597	Stroller Handle Back Post with Grip Assembly with All Hardware, for Std Cross Braces, Short, Left Side <i>If chair was invoiced with backrest code 50BOP032, new backcanes are not required to retrofit the drum brake. If chair was invoiced with backrest code 50BOP010, a complete backrest retrofit to this Depth Adjustable Back design is required in order to retrofit the drum brake.</i>	1
1-15, 16b, 17-20, 22-24, 25a, 26, 27, 29	112598	Stroller Handle Back Post with Grip Assembly with All Hardware, for Std Cross Braces, Short, Right Side <i>If chair was invoiced with backrest code 50BOP032, new backcanes are not required to retrofit the drum brake. If chair was invoiced with backrest code 50BOP010, a complete backrest retrofit to this Depth Adjustable Back design is required in order to retrofit the drum brake.</i>	1
1-15, 16a, 17-20, 22-24, 25b, 26, 27, 29	112599	Stroller Handle Back Post with Grip Assembly with All Hardware, for Std Cross Braces, Tall, Left Side <i>If chair was invoiced with backrest code 50BOP032, new backcanes are not required to retrofit the drum brake. If chair was invoiced with backrest code 50BOP010, a complete backrest retrofit to this Depth Adjustable Back design is required in order to retrofit the drum brake.</i>	1
1-15, 16b, 17-20, 22-24, 25b, 26, 27, 29	112600	Stroller Handle Back Post with Grip Assembly with All Hardware, for Std Cross Braces, Tall, Right Side <i>If chair was invoiced with backrest code 50BOP032, new backcanes are not required to retrofit the drum brake. If chair was invoiced with backrest code 50BOP010, a complete backrest retrofit to this Depth Adjustable Back design is required in order to retrofit the drum brake.</i>	1
1-15, 17-20, 22-24, 25a, 26, 27, 28	112601	Stroller Handle Back Post with Grip Assembly with All Hardware, for Seating Cross Braces, Short <i>If chair was invoiced with backrest code 50BOP032, new backcanes are not required to retrofit the drum brake. If chair was invoiced with backrest code 50BOP010, a complete backrest retrofit to this Depth Adjustable Back design is required in order to retrofit the drum brake.</i>	1
1-15, 17-20, 22-24, 25b, 26, 27, 28	112602	Stroller Handle Back Post with Grip Assembly with All Hardware, for Seating Cross Braces, Tall <i>If chair was invoiced with backrest code 50BOP032, new backcanes are not required to retrofit the drum brake. If chair was invoiced with backrest code 50BOP010, a complete backrest retrofit to this Depth Adjustable Back design is required in order to retrofit the drum brake.</i>	1
24, 25a, 26, 27	506811	Stroller Handle Back Post with Grip Assembly, Short <i>If chair was invoiced with backrest code 50BOP032, new backcanes are not required to retrofit the drum brake. If chair was invoiced with backrest code 50BOP010, a complete backrest retrofit to this Depth Adjustable Back design is required in order to retrofit the drum brake.</i>	1
24, 25b, 26, 27	506812	Stroller Handle Back Post with Grip Assembly, Tall <i>If chair was invoiced with backrest code 50BOP032, new backcanes are not required to retrofit the drum brake. If chair was invoiced with backrest code 50BOP010, a complete backrest retrofit to this Depth Adjustable Back design is required in order to retrofit the drum brake.</i>	1
1-15, 16a, 17-20, 22-23, 29	112603	Depth Adjustable Backrest Hardware Assembly, for Std Cross Braces, Left Side	1
1-15, 16b, 17-20, 22-23, 29	112604	Depth Adjustable Backrest Hardware Assembly, for Std Cross Braces, Right Side	1

Item Number	Part Number	Description	Quantity
1-15, 17-20, 22-23, 28	112605	Depth Adjustable Backrest Hardware Assembly, for Seating Cross Braces, One Side	1
1-15, 17-20, 22-23, 28	112606	Depth Adjustable Backrest Hardware Assembly, for Seating Cross Braces, PAIR	1
1, 9	503834	Cover Plate, Latch Insert Kit	1
2	100797	M6 x 40 BHCS BLK ZC	1
3	100558	M6 NYL INS Domed Cap L/N ZC	3
4	101701	Washer 3.315/.350 x .425/.525 x .059/.067 18-8 F/W	1
5	101184	M6 x 10 BTN SHCS BLKZC w/Patch	1
6	100670	M6 x 45 BTN SHCS BLK ZC	1
7	111833	Depth Adjustable Back Plate, Folding <i>Use quantity 1 per side if standard cross braces are present. Use quantity 2 per side if seating system cross braces are present.</i>	1
8	101818	M4 x 10 FHCS BLKZC w/Patch	2
9	001897	Washer, Dual, PSA	2
10	102694	Dowel Pin, M5 X 24, Blk Zn	1
11	001895	Latch Insert, Folding Backrest	1
12	100658	M6 Nylock Nut Blk Zn <i>Use quantity 2 per side if standard cross braces are present. Use quantity 4 per side if seating system cross braces are present.</i>	2
13	001896	Spring, Backrest Latch	1
14	001893	Latch Lever, Backrest	1
15	002513	Threaded Barrel, 5mm OD x M4	1
16a	111835	Depth Adjustable Back Plate, Inner, Folding, Left <i>Only used when standard cross braces are present</i>	1
16b	111834	Depth Adjustable Back Plate, Inner, Folding, Right <i>Only used when standard cross braces are present</i>	1
17	003284	Binding Post, 8mm x 40mm x M6	1
18	101592	M6 x 45 CLS10.9 DIN7991 FHCS BLKZC	2
19	100746	M6 Flat Washer Blk Zn	1
20	114443	Tube Spacer, Black, 1" OD x .083" x .80 LG <i>Replacement for part number 001230</i>	2

Item Number	Part Number	Description	Quantity
21	000605	Depth Adjustable Frame Extension Tube, Catalyst/Spark	1
22	101811	M6 x 35 BHCS Blk Zn	1
23	000612	1" Half Saddle Washer	4
26	100804	Tube End Plug 1"	1
28	102803	Washer Flat .250 x .500 x .027 HX BLZ <i>Only used when seating system cross braces are present</i>	2
29	101861	Nylon Washer 5/16 x 1/2 x .03 <i>Only used when standard cross braces are present</i>	1