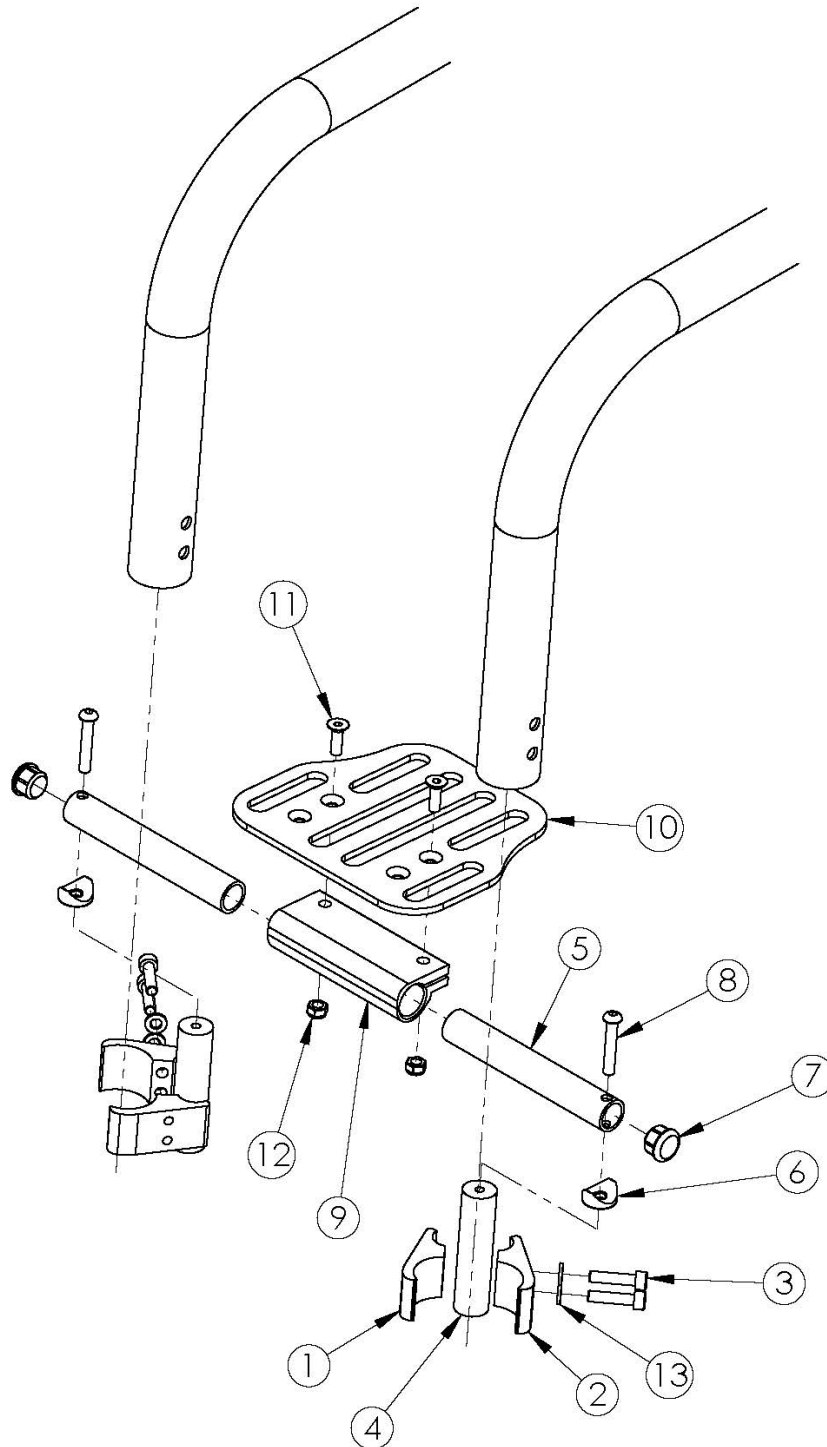


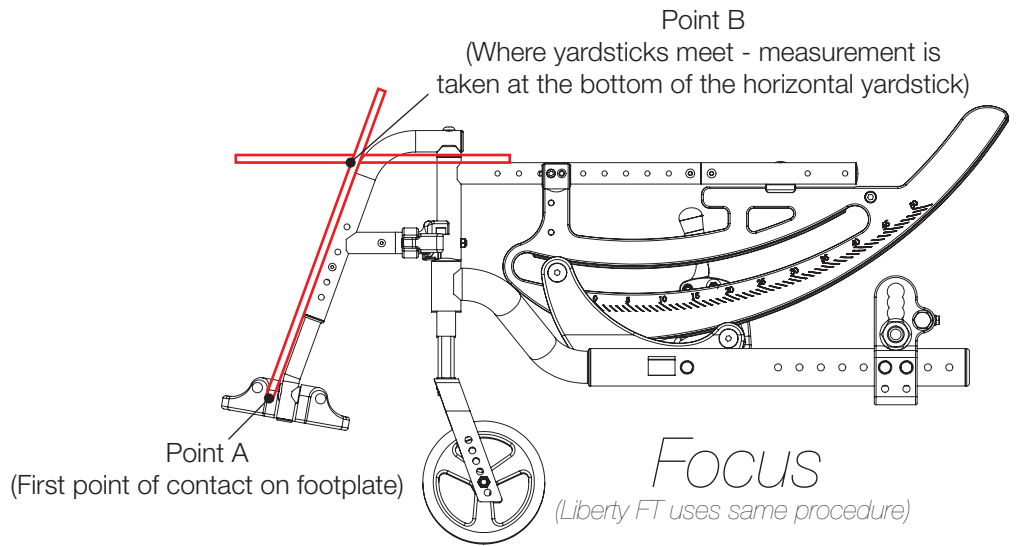
Little Wave XP High Mount Angle Adjustable Footrest 10" - 14" Wide



Item Number	Part Number	Description	Quantity
1-4, 5a, 6-9, 10a, 11-13	501004	Footrest Assembly Angle Adj High Mount 10 Rigid <i>Used on 10" wide with 0" taper or 12" wide with 1" taper</i>	1
1-4, 5b, 6-9, 10a, 11-13	500764	Footrest Assembly Angle Adj High Mount 11 Rigid <i>Used on 11" wide with 0" taper or 13" wide with 1" taper</i>	1
1-4, 5c, 6-9, 10b, 11-13	500765	Footrest Assembly Angle Adj High Mount 12 Rigid <i>Used on 12" wide with 0" taper or 14" wide with 1" taper</i>	1
1-4, 5d, 6-9, 10c, 11-13	500766	Footrest Assembly Angle Adj High Mount 13 Rigid <i>Used on 13" wide with 0" taper or 15" wide with 1" taper</i>	1
1-4, 5e, 6-9, 10d, 11-13	503665	Footrest Assembly Angle Adj High Mount 14 Rigid <i>Used on 14" wide with 0" taper or 16" wide with 1" taper</i>	1
1	000376	Clamp Top 1.375" Rigid	2
2	000377	Clamp Bottom 1.375" Rigid	2
3	100780	M6 x 25 SHCS ZC	4
4	000600	Rigid Footplate Riser 3"	2
5a	001422	Footrest Tube 2.8" Rigid	2
5b	001423	Footrest Tube 3.3" Rigid	2
5c	000688	Footrest Tube 3.8" Rigid	2
5d	000689	Footrest Tube 4.3" Rigid	2
5e	000690	Footrest Tube 4.8" Rigid	2
6	000053	Saddle 3/4"	2
7	100638	Tube End Plug 3/4"	2
8	100797	M6 x 40 BHCS BLK ZC	2
9	100789	Footrest Adjustable Clamp 5"	1
10a	000225	Footrest Platform Angle Adjustable 6"	1
10b	001322	Footrest Platform Angle Adjustable 7"	1
10c	000226	Footrest Platform Angle Adjustable 8"	1
10d	001323	Footrest Platform Angle Adjustable 9"	1
11	100662	M6 x 25 FSHCS BLK ZC	2
12	100658	M6 Nylock Nut Blk Zn	2
13	101835	M6 Lock Washer Blk Zn	4

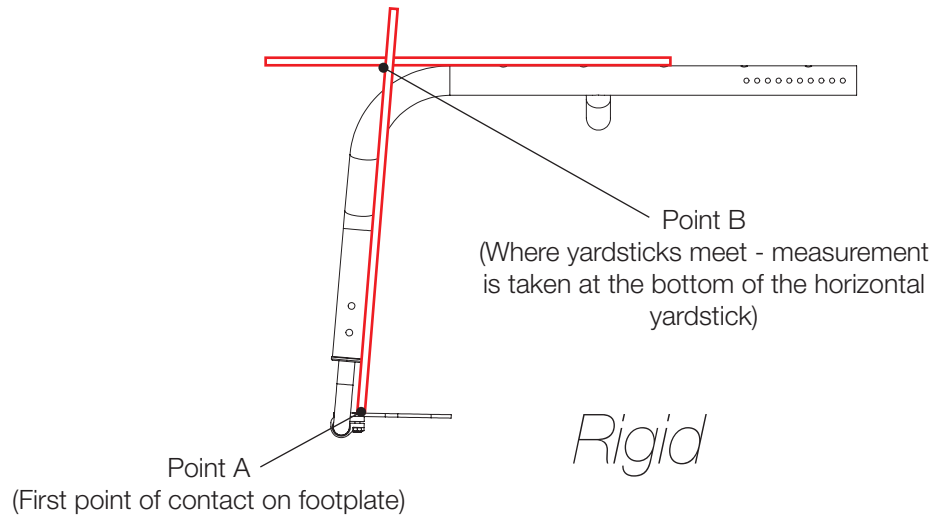
Distance between Point A and Point B = Footplate Length

NOTE: The yardstick on the top plane of the seat frame must lie flat against frame. The yardstick going from the footplate to the second yardstick must be square against the hanger tube.



Distance between Point A and Point B = Footplate Length

NOTE: The yardstick on the top plane of the seat frame must lie flat against frame. The yardstick going from the footplate to the second yardstick must be square against the front tube.



Distance between Point A and Point B = Footplate Length

NOTE: The yardstick on the top plane of the hanger must lie flat against hanger. The yardstick going from the footplate to the second yardstick must be square against the hanger tube.

