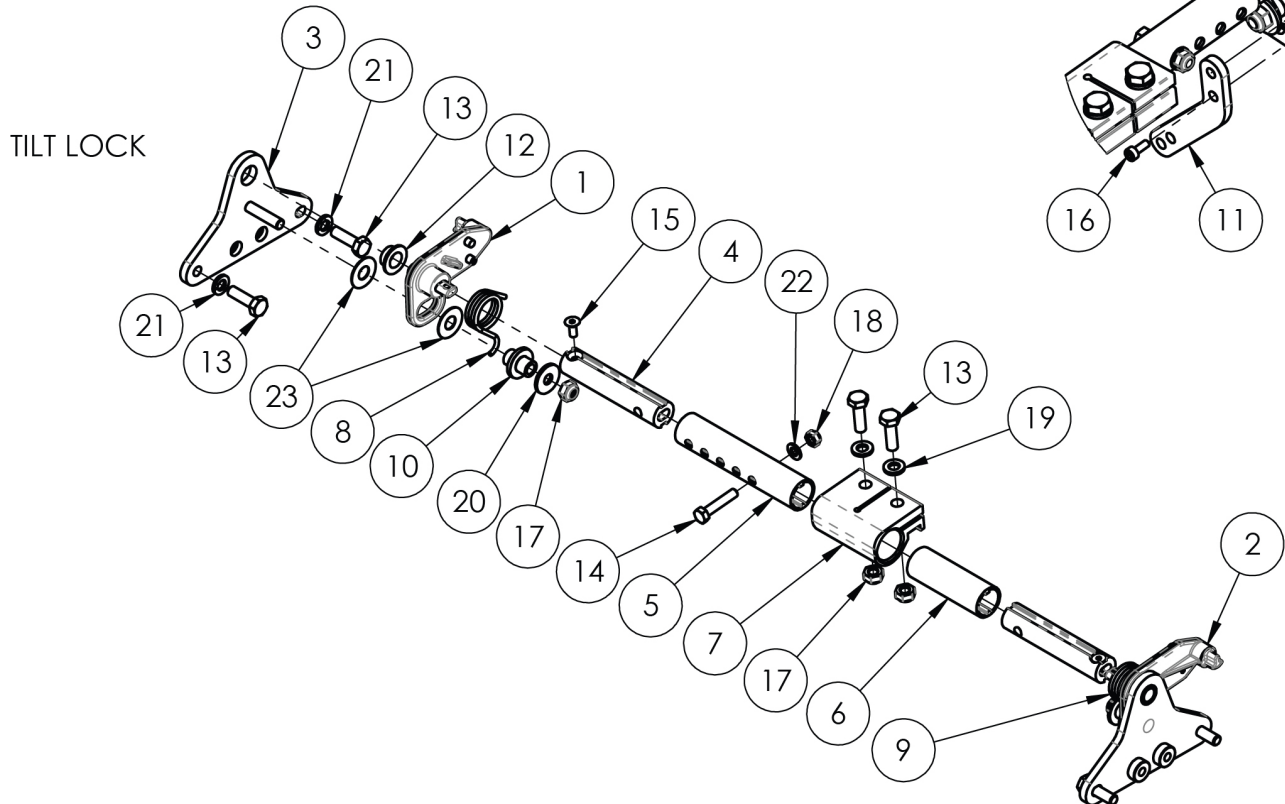
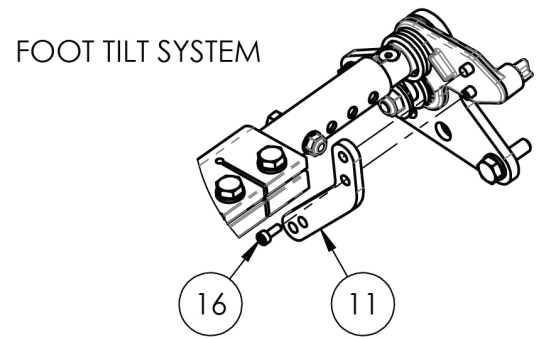
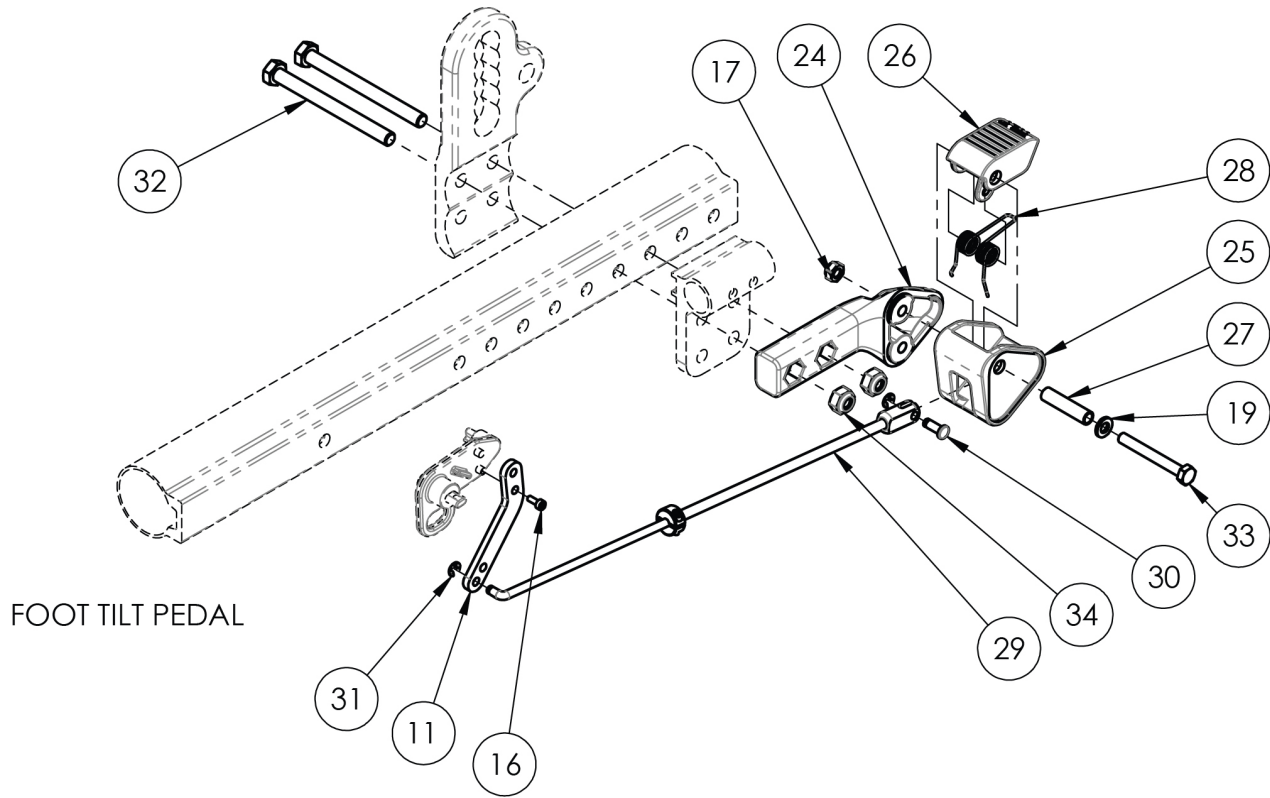


# (Discontinued 1) Focus CR Foot Tilt Mechanism



This Focus CR Foot Tilt is discontinued and was used on serial numbers prior to FCR0013026.

Item Number	Part Number	Description	Quantity
3, 12	501110	Tilt Lock Mount Bracket with Bearing Assm Focus	1
6a	001254	Growth Strut Short TILT	1
6c	001256	Growth Strut Long TILT	1
8	001109	Spring Tilt Lock Right TILT	1
9	001110	Spring Tilt Lock Left TILT	1
10	001104	Retainer Lock Lever TILT	2
12	001111	Bearing GFI-0607-04 TILT	2
13	101823	M6 X 20 Hhcs Blk Zn	6
14	101821	M5 x 25 HHCS Blk Zn	1
15	101818	M4 x 10 FHCS BLKZC w/Patch	2
16	101842	M3 x 8 SHCS Blk Zn	1
17	100658	M6 Nylock Nut Blk Zn	5
18	100657	M5 Nylock Nut Blk Zn	1
19	100746	M6 Flat Washer Blk Zn	3
20	101853	M6 Washer Blk Zn	2
21	101835	M6 Lock Washer Blk Zn	4
22	101856	Flat Washer, M5, Blk Zn	1
23	102082	Washer Nylon .406IDX.75ODX.040	4
24	001125	Mount Bracket Foot TILT	1
25	001126	Pedal Mount Foot TILT	1
26	001127	Pedal Foot TILT	1
28	001129	Spring Foot Pedal TILT	1
29	001130	Linkage Tube Assm TILT	1
30	001135	Clevis Pin with Clip TILT	1
32a	101832	M8 x 90 HHCS Blk Zn	2
32b	102384	M8 x 100 HHCS Blk Zc Part THD <i>Used with Attendant Foot Lock</i>	2

<b>Item Number</b>	<b>Part Number</b>	<b>Description</b>	<b>Quantity</b>
33	101826	M6 x 50 HHCS Blk Zn	1
34	100659	M8 Nylock Nut Blk Zn	2