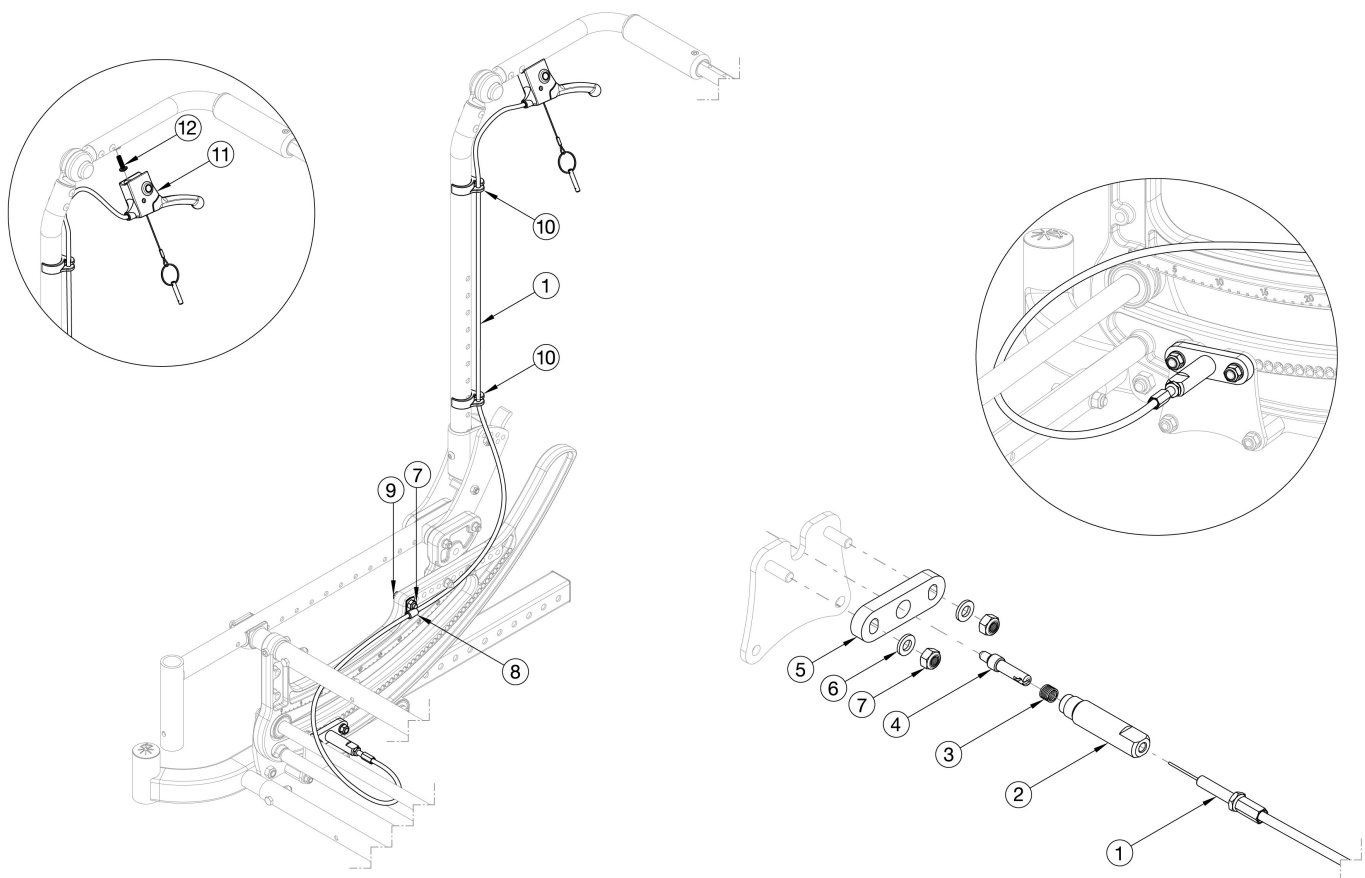


CR45 Dual Hand Tilt with Fixed Height Backrest



If retrofitting from Foot Tilt, complete Hand Tilt kits are recommended.

Item Number	Part Number	Description	Quantity
1a, 2-7, 10-13	116290	Cable Assembly Hand Tilt Long <i>Used with Fixed Height Back with Adjustable Handle Short 22"</i>	1
1b, 2-7, 10-13	116291	Cable Assembly Hand Tilt Extra Long <i>Used with Fixed Height Back with Adjustable Handle Tall 26"</i>	1
1a	112472	Hand Tilt Cable Long, CR45	2
1b	112473	Hand Tilt Cable Extra Long, CR45	2
2	112478	Plunger Housing	2
3	112480	Spring, Comp, .312ODx.81LGx.032W	2
4	112479	Plunger Pin	2
5	112477	Tilt Lock Plunger Adapter	2

Item Number	Part Number	Description	Quantity
6	100746	M6 Flat Washer Blk Zn	4
7	100658	M6 Nylock Nut Blk Zn	6
8	001239	P-Clip 3/16"	1
9	101824	M6 X 30 Hhcs Blk Zn	2
10	001117	Cable Clip 1"	2
11	002801	Lever Assembly Horizontal Tilt	2
12	100734	M5 x 16 PHMS ZC	2