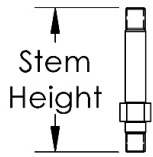
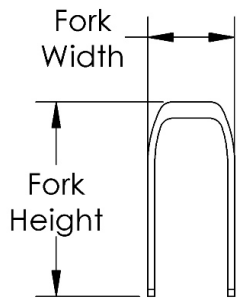


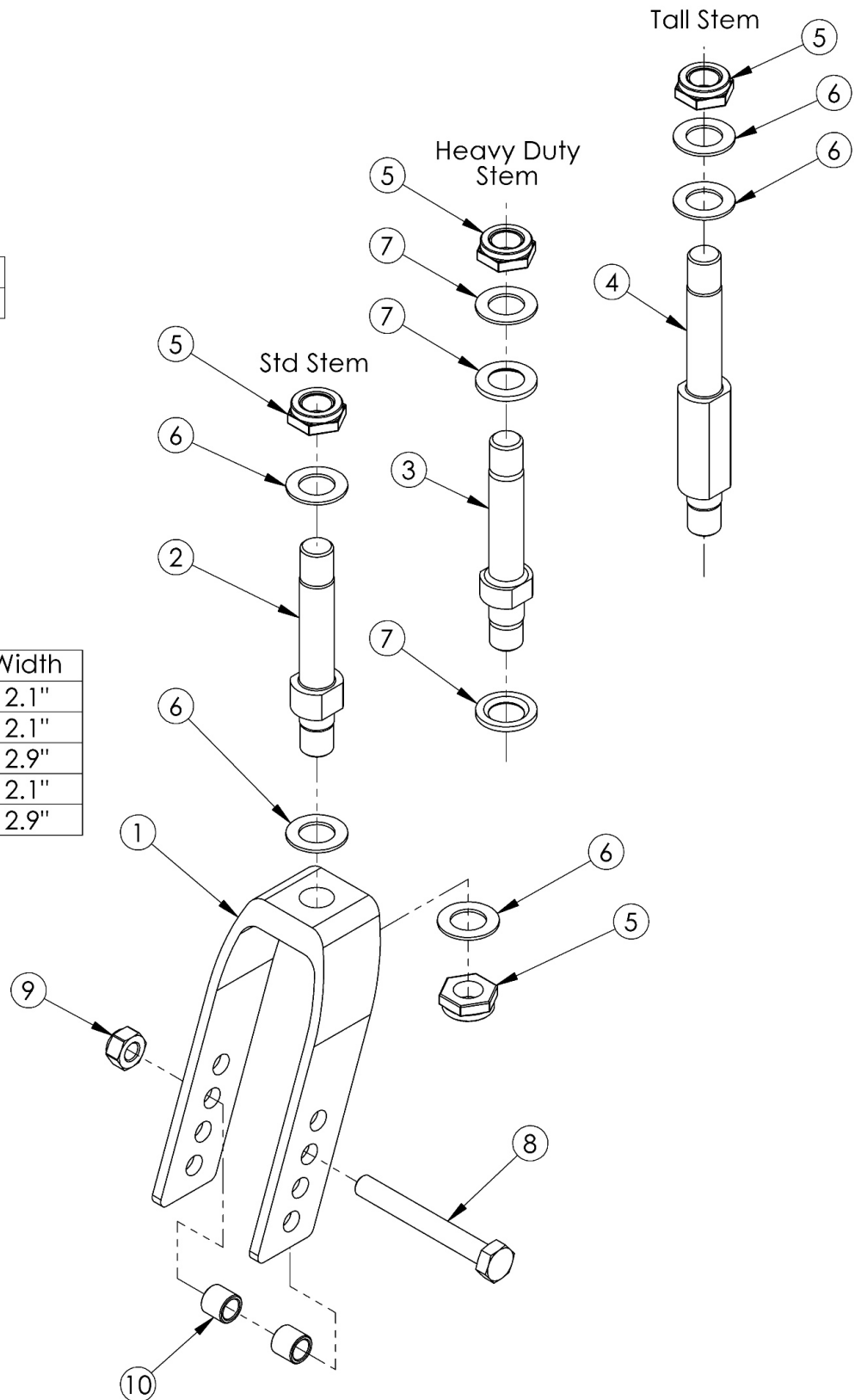
Discontinued Focus CR Caster Forks and Stems



Std/HD	3.5"
Tall	4.7"



Fork	Height	Width
5" Std	4.7"	2.1"
6" Std	5.7"	2.1"
6" Wide	5.8"	2.9"
7" Std	7.0"	2.1"
7" Wide	7.0"	2.9"



If changing to 2" casters, wide forks and hardware needed.

Item Number	Part Number	Description	Quantity
1a, 2, 5, 6	503816	Fork Assembly 5" Std Stem, Tilt	1
1b, 2, 5, 6	503814	Fork Assembly 6" Std Stem, Tilt	1
1c, 2, 5, 6	503817	Fork Assembly 6" Wide Std Stem, Tilt <i>Only used with 2" wide casters</i>	1
1d, 2, 5, 6	503815	Fork Assembly 7" Std Stem, Tilt	1
1e, 2, 5, 6	503818	Fork Assembly 7" Wide Std Stem, Tilt <i>Only used with 2" wide casters</i>	1
1e, 3, 5-7	503122	Fork Assembly 7" Wide Heavy Duty Std Stem Focus <i>Only used with 2" wide casters</i>	1
8a, 9, 10a	502653	Caster Attachment Hardware Kit CAT/FCS	1
8b, 9, 10b	502654	Caster Attachment Hardware Kit for 6" and 7" Wide Fork, CAT/FCS <i>Only used with 2" wide casters</i>	1
1a, 5	503823	Caster Fork 5" Tilt	1
1b, 5	503824	Caster Fork 6" Tilt	1
1c, 5	503825	Caster Fork 6" Wide Tilt <i>Only used with 2" wide casters</i>	1
1d, 5	503826	Caster Fork 7" Tilt	1
1e, 5	503827	Caster Fork 7" Wide Tilt <i>Only used with 2" wide casters</i>	1
2, 5	503819	Caster Stem Standard, Tilt	1
3, 5	503820	Caster Stem Standard HD, Focus	1
5	100529	M12 x 1.25mm Lock Nut Black	2
6	100682	Washer 1/2" .518 x .875 x .047 F/W Black Zinc	3
7	002593	Caster Stem Washer Heavy Duty <i>Used with Heavy Duty</i>	2
8a	101829	M8 x 65 HHCS Blk Zn	1
8b	101831	M8 x 80 HHCS Blk Zn <i>Used with wide forks</i>	1
9	100659	M8 Nylock Nut Blk Zn	1
10a	100792	Caster Spacer D8 x D12 x 10mm / Close Mount Handrim Spacer <i>Used with all casters except 6" x 2" Poly</i>	2

Item Number	Part Number	Description	Quantity
10b	001246	Caster Spacer Black 6 x 2 Poly .472ODX.319IDX.370LG <i>Only used with 6" x 2" casters</i>	2