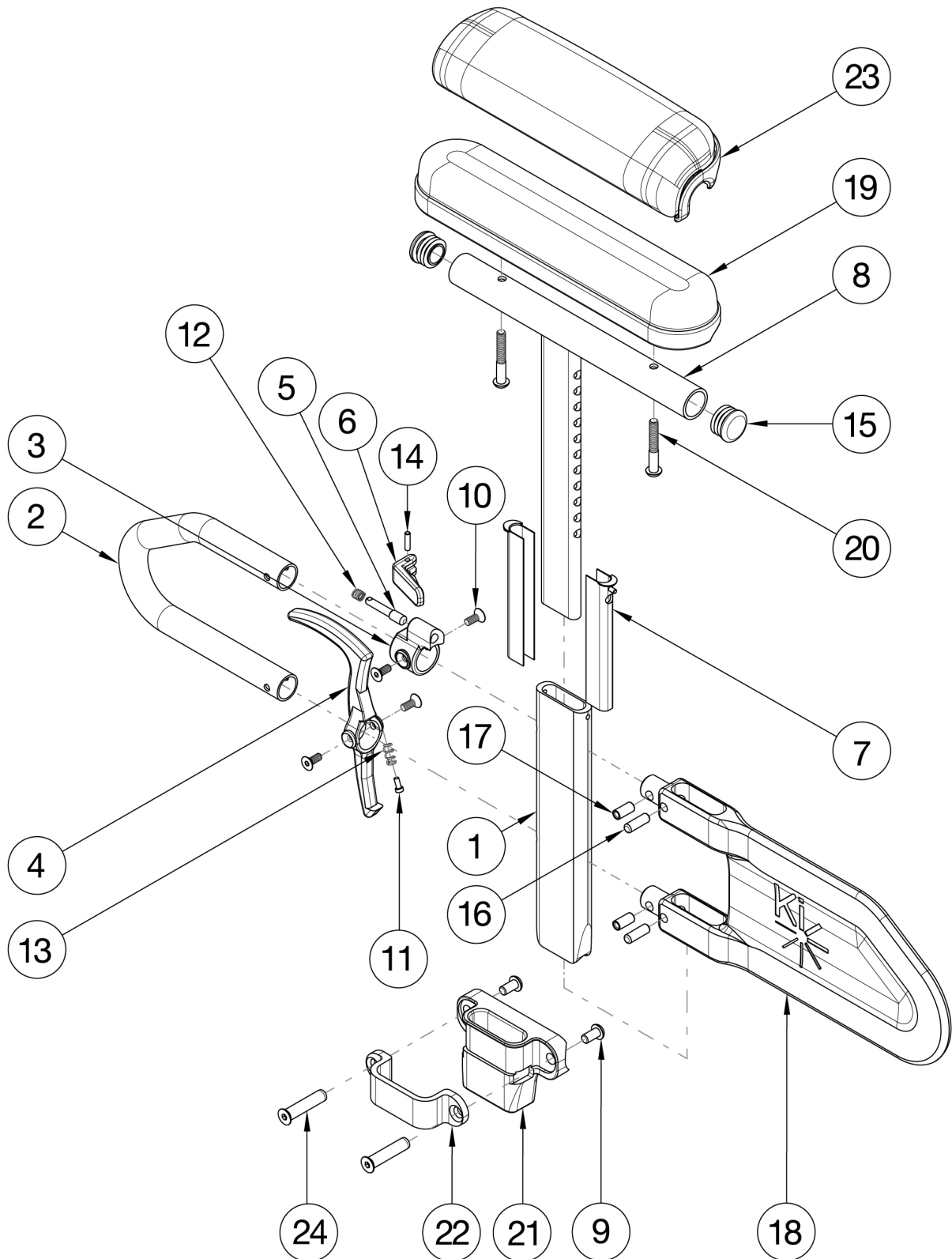


Catalyst Height Adjustable T-Arm



Receiver and Hardware update effective 11/25/24 Short assemblies are used with 14-17 Seat Depths. Long assemblies are used with 18"-20" Seat Depths If retrofitting, Receivers are needed. This design effective November 10, 2017 for long panels and December 6, 2017 for short panels If retrofitting to Height Adjustable T-Arms and One Arm Drive is present, a new drive shaft may be required. In addition to a new drive shaft, order the corresponding hardware kit: 109438 for Blade Style One Arm Drive, 503433 for Hex Style One Arm Drive or 112898 for Quick Release One Arm Drive

Item Number	Part Number	Description	Quantity
1-7, 8a, 9-18a, 19a, 20a, 21, 22, 24	505500	Height Adj T-Arm Assm w/ Long Side Shield and Standard Pad Full, 1" Receiver, PAIR CAT	1
1-7, 8a, 9-18a, 19a, 20a, 21, 22, 24	505499	Height Adj T-Arm Assm w/ Long Side Shield and Standard Pad Full, 1" Receiver	1
1-7, 8a, 9-18b, 19a, 20a, 21, 22, 24	505653	Height Adj T-Arm Assm w/ Short Side Shield and Standard Pad Full, 1" Receiver, PAIR CAT	1
1-7, 8a, 9-18b, 19a, 20a, 21, 22, 24	505652	Height Adj T-Arm Assm w/ Short Side Shield and Standard Pad Full, 1" Receiver	1
1-7, 8a, 9-18a, 19b, 20a, 21, 22, 24	505502	Height Adj T-Arm Assm w/ Long Side Shield and Standard Pad Desk, 1" Receiver, PAIR CAT	1
1-7, 8a, 9-18a, 19b, 20a, 21, 22, 24	505501	Height Adj T-Arm Assm w/ Long Side Shield and Standard Pad Desk, 1" Receiver CAT	1
1-7, 8a, 9-18b, 19b, 20a, 21, 22, 24	505655	Height Adj T-Arm Assm w/ Short Side Shield and Standard Pad Desk, 1" Receiver, PAIR CAT	1
1-7, 8a, 9-18b, 19b, 20a, 21, 22, 24	505654	Height Adj T-Arm Assm w/ Short Side Shield and Standard Pad Desk, 1" Receiver CAT	1
1-7, 8a, 9-18a, 20b, 21, 22, 23a, 24	505504	Height Adj T-Arm Assm w/ Long Side Shield and Waterfall Pad Full, 1" Receiver, PAIR CAT	1
1-7, 8a, 9-18a, 20b, 21, 22, 23a, 24	505503	Height Adj T-Arm Assm w/ Long Side Shield and Waterfall Pad Full, 1" Receiver CAT	1
1-7, 8a, 9-18b, 20b, 21, 22, 23a, 24	505657	Height Adj T-Arm Assm w/ Short Side Shield and Waterfall Pad Full, 1" Receiver, PAIR CAT	1
1-7, 8a, 9-18b, 20b, 21, 22, 23a, 24	505656	Height Adj T-Arm Assm w/ Short Side Shield and Waterfall Pad Full, 1" Receiver CAT	1
1-7, 8a, 9-18a, 20b, 21, 22, 23b, 24	505506	Height Adj T-Arm Assm w/ Long Side Shield and Waterfall Pad Desk, 1" Receiver, PAIR CAT	1
1-7, 8a, 9-18a, 20b, 21, 22, 23b, 24	505505	Height Adj T-Arm Assm w/ Long Side Shield and Waterfall Pad Desk, 1" Receiver CAT	1
1-7, 8a, 9-18b, 20b, 21, 22, 23b, 24	505659	Height Adj T-Arm Assm w/ Short Side Shield and Waterfall Pad Desk, 1" Receiver, PAIR CAT	1
1-7, 8a, 9-18b, 20b, 21, 22, 23b, 24	505658	Height Adj T-Arm Assm w/ Short Side Shield and Waterfall Pad Desk, 1" Receiver CAT	1
1-7, 8a, 10-18a, 19a, 20a	505492	Height Adj T-Arm Assm w/ Long Side Shield and Standard Pad Full, PAIR	1

Item Number	Part Number	Description	Quantity
1-7, 8a, 10-18a, 19a, 20a	505491	Height Adj T-Arm Assm w/ Long Side Shield and Standard Pad Full	1
1-7, 8a, 10-18b, 19a, 20a	505645	Height Adjustable T-Arm Assembly w/ Short Side Shield and Standard Pad Full, Pair	1
1-7, 8a, 10-18b, 19a, 20a	505644	Height Adjustable T-Arm Assembly w/ Short Side Shield and Standard Pad Full	1
1-7, 8a, 10-18a, 19b, 20a	505494	Height Adj T-Arm Assm w/ Long Side Shield and Standard Pad Desk, PAIR	1
1-7, 8a, 10-18a, 19b, 20a	505493	Height Adj T-Arm Assm w/ Long Side Shield and Standard Pad Desk	1
1-7, 8a, 10-18b, 19b, 20a	505647	Height Adjustable T-Arm Assembly w/ Short Side Shield and Standard Pad Desk, Pair	1
1-7, 8a, 10-18b, 19b, 20a	505646	Height Adjustable T-Arm Assembly w/ Short Side Shield and Standard Pad Desk	1
1-7, 8a, 10-18a, 20b, 23a	505496	Height Adj T-Arm Assm w/ Long Side Shield and Waterfall Pad Full, PAIR	1
1-7, 8a, 10-18a, 20b, 23a	505495	Height Adj T-Arm Assm w/ Long Side Shield and Waterfall Pad Full	1
1-7, 8a, 10-18b, 20b, 23a	505649	Height Adjustable T-Arm Assembly w/ Short Side Shield and Waterfall Pad Full, Pair	1
1-7, 8a, 10-18b, 20b, 23a	505648	Height Adjustable T-Arm Assembly w/ Short Side Shield and Waterfall Pad Full	1
1-7, 8a, 10-18a, 20b, 23b	505498	Height Adj T-Arm Assm w/ Long Side Shield and Waterfall Pad Desk, PAIR	1
1-7, 8a, 10-18a, 20b, 23b	505497	Height Adj T-Arm Assm w/ Long Side Shield and Waterfall Pad Desk	1
1-7, 8a, 10-18b, 20b, 23b	505651	Height Adjustable T-Arm Assembly w/ Short Side Shield and Waterfall Pad Desk, Pair	1
1-7, 8a, 10-18b, 20b, 23b	505650	Height Adjustable T-Arm Assembly w/ Short Side Shield and Waterfall Pad Desk	1
3, 5, 6, 10, 12, 14	505490	Height Adjustable T-Arm Upper Latch Assembly	1
4, 10, 11, 13	505507	Height Adjustable T-Arm Release Lever Assembly	1
16, 17, 18a	505508	Height Adj T-Arm Long Side Shield Assembly	1
16, 17, 18b	506082	Height Adjustable T-Arm Short Shield Assembly	1
9, 21, 22, 24	501730	Height Adj T-Arm Receiver Assm 1" CAT	1
1-7, 10-14, 16, 17, 18b	004160	Height Adjustable T-Arm Lower Assembly Short <i>Does not include t-arm upper, arm pad or arm pad screws</i>	1
1-7, 10-14, 16, 17, 18a	004161	Height Adjustable T-Arm Lower Assembly Long <i>Does not include t-arm upper, arm pad or arm pad screws</i>	1
1-7, 8a, 10-18a	003465	Height Adjustable T-Arm Long Desk <i>Does not include arm pad or arm pad screws</i>	1
1-7, 8b, 10-18a	003466	Height Adjustable T-Arm Long Full <i>Does not include arm pad or arm pad screws</i>	1
1-7, 8a, 10-18b	003463	Height Adjustable T-Arm Short Desk	1

Item Number	Part Number	Description	Quantity
		<i>Does not include arm pad or arm pad screws</i>	
1-7, 8b, 10-18b	003464	Height Adjustable T-Arm Short Full <i>Does not include arm pad or arm pad screws</i>	1
1	000089	Height Adjustable T Armrest Post	1
2	000095	Height Adjustable T Armrest Transfer Tube	1
7	000090	Height Adjustable T Armrest Shim	2
8a, 15	112906	Height Adjustable T Armrest Upper Desk w/ Tube End Plug	1
8b, 15	112907	Height Adjustable T Armrest Upper Full w/ Tube End Plug	1
9	100667	M6 x 12 BTN SHCS BLKZC w/Patch	2
10	003458	M5 X 12mm FHCS BLK ZN W/ Patch	4
11	000152	Height Adjustable T Armrest Release Spring Button	1
13	000135	Height Adjustable T Armrest Release Lever Spring	1
15	100803	Tube End Plug 7/8"	2
16	003641	.25" x .75" Dowel Pin	2
17	003457	M5 x 14mm Barrel Nut	2
19a	100500	Arm Pad Full	1
19b	100501	Arm Pad Desk	1
20a	100696	M5 x 30mm PPH Capscrew <i>Used with Standard Arm Pads</i>	2
20b	100654	M5 x 40 DIN7985 PH Pan HD M/S ZC <i>Used with Waterfall Arm Pads</i>	2
21	122221	T-Arm Receiver 1", Cat	1
22	122222	Height Adjustable T Armrest Bracket, CAT/SPARK	1
23a	102452	Waterfall Arm Pad Full	1
23b	102521	Waterfall Arm Pad Desk	1
24	122055	Binding Post, Flat Head, M6, .38"	2