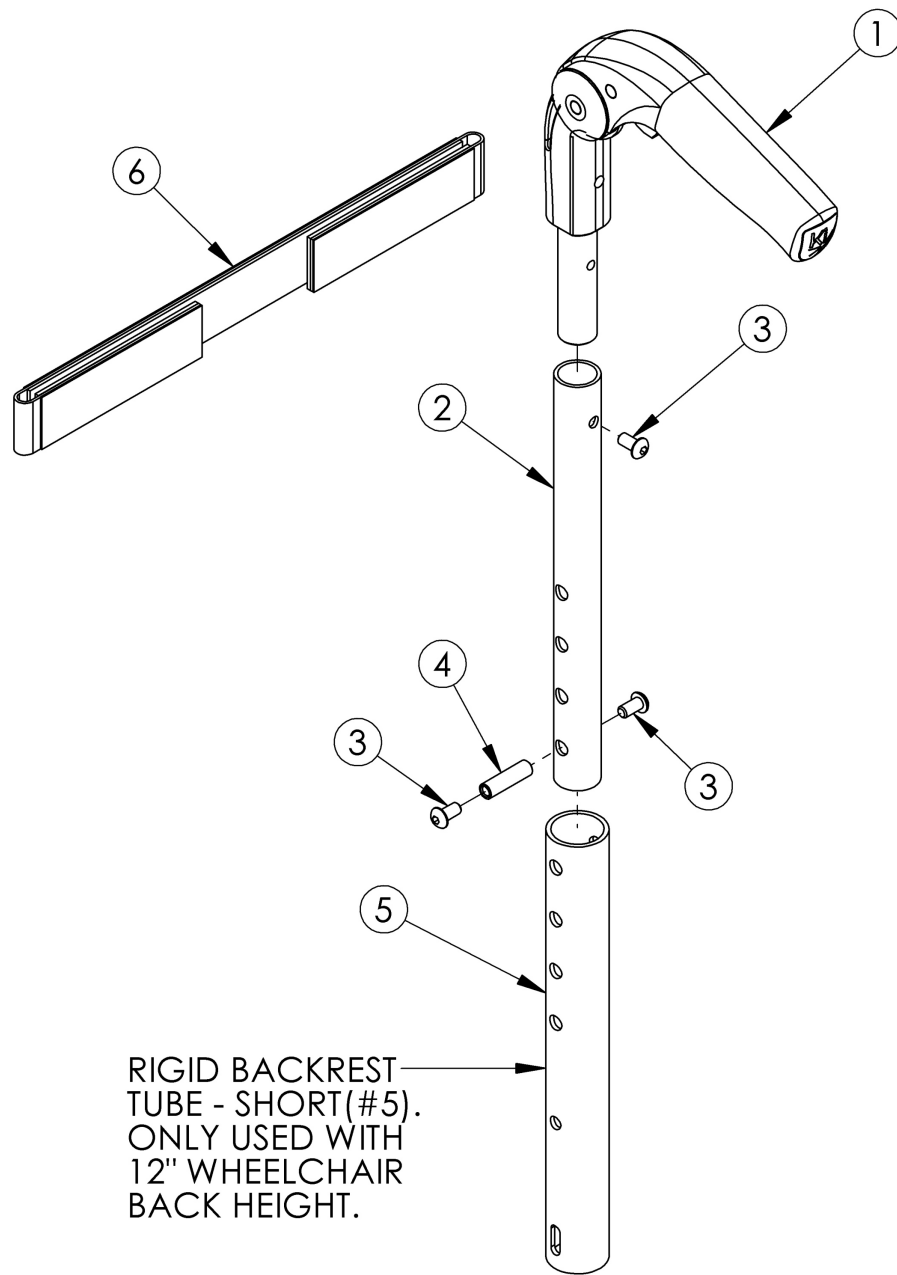


(Discontinued 1) Rogue Fold Down Push Handle



BACKTUBE (#2) HEIGHTS	
SHORT	6.38"
MEDIUM	7.80"
TALL	11.80"

This Rogue Fold Down Push Handle is discontinued and was used on serial numbers prior to RG0016612.

Item Number	Part Number	Description	Quantity
1, 2a, 3, 4, 5	502167	Fold Down Push Handle Assm 12" Back Height Rigid	1
1, 2a, 3, 4	501745	Fold Down Push Handle Assm Short Rigid	1
1, 2b, 3, 4	501746	Fold Down Push Handle Assm Medium Rigid	1
1, 2c, 3, 4	501747	Fold Down Push Handle Assm Tall Rigid	1
1	001735	Folding Handle Assembly Rigid <i>This is to replace an existing Fold Down Push Handle. If wanting to change to the Fold Down Push Handle, order one of the following complete assemblies based on the desired back height: 502167, 501745, 501746 or 501747</i>	1
2a	001754	Fold Down Push Handle Tube, 6.38", Rigid	1
2b	001755	Fold Down Push Handle Tube, 7.8", Rigid	1
2c	001756	Fold Down Push Handle Tube, 11.8", Rigid	1
3	100669	M5 x 10 BTN SHCS BLKZC w/Patch	3
4	000073	M5 x 24 Threaded Barrel	1
5	002038	Rigid Backrest Tube Short <i>Only used with 12" back height</i>	1
6a	001748	Tension Strap Folding Handle 9-11 Wide	1
6b	001749	Tension Strap Folding Handle 12-13 Wide	1
6c	001750	Tension Strap Folding Handle 14-15 Wide	1
6d	001751	Tension Strap Folding Handle 16-17 Wide	1
6e	001752	Tension Strap Folding Handle 18-19 Wide	1
6f	001753	Tension Strap Folding Handle 20-22 Wide	1