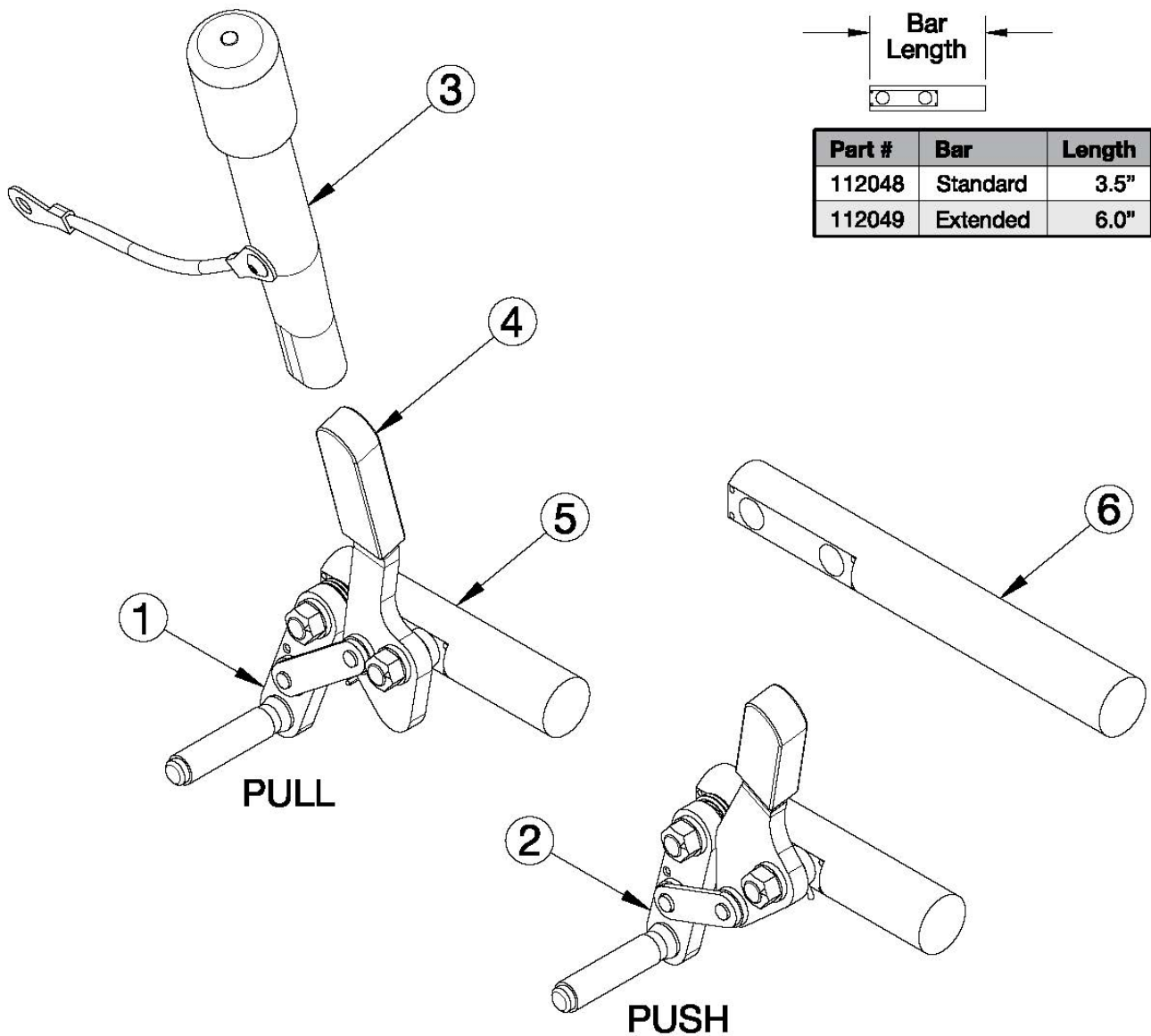


# Push and Pull to Lock Wheel Locks



This style wheel lock launched November 2021 Ethos: if adding Wheel Locks to a chair, new Front ISO Towers are required

Item Number	Part Number	Description	Quantity
1a, 4, 5	115305	Wheel Lock Assembly, Pull, Right with Instruction <i>Replaced part number 503207</i>	1
1b, 4, 5	115306	Wheel Lock Assembly, Pull, Left with Instruction <i>Replaced part number 503208</i>	1
1a, 3-5	115309	Wheel Lock Assembly, Pull w/ Extension, Right with Instruction <i>Replaced part number 503211</i>	1
1b, 3-5	115310	Wheel Lock Assembly, Pull w/ Extension, Left with Instruction	1

Item Number	Part Number	Description	Quantity
		<i>Replaced part number 503212</i>	
2a, 4, 5	115308	Wheel Lock Assembly, Push, Right with Instruction <i>Replaced part number 503206</i>	1
2b, 4, 5	115307	Wheel Lock Assembly, Push, Left with Instruction <i>Replaced part number 503205</i>	1
2a, 3-5	115311	Wheel Lock Assembly, Push w/ Extension, Right with Instruction <i>Replaced part number 503209</i>	1
2b, 3-5	115312	Wheel Lock Assembly, Push w/ Extension, Left with Instruction <i>Replaced part number 503210</i>	1
3	112804	Wheel Lock Extension <i>6" long extension. Use this part number when replacing an extension on a wheel lock that already has one.</i>	1
3	115610	Wheel Lock Extension with Bushing <i>6" long extension. Use this part number when adding an extension to a wheel lock that does not already have an extension.</i>	1
4	111247	Wheel Lock Cover Plastic	1
6	112049	Wheel Lock Mount Bar Extended <i>Used as needed. This wheel lock bar is not compatible with the push or pull to lock wheel locks on a discontinued page.</i>	1