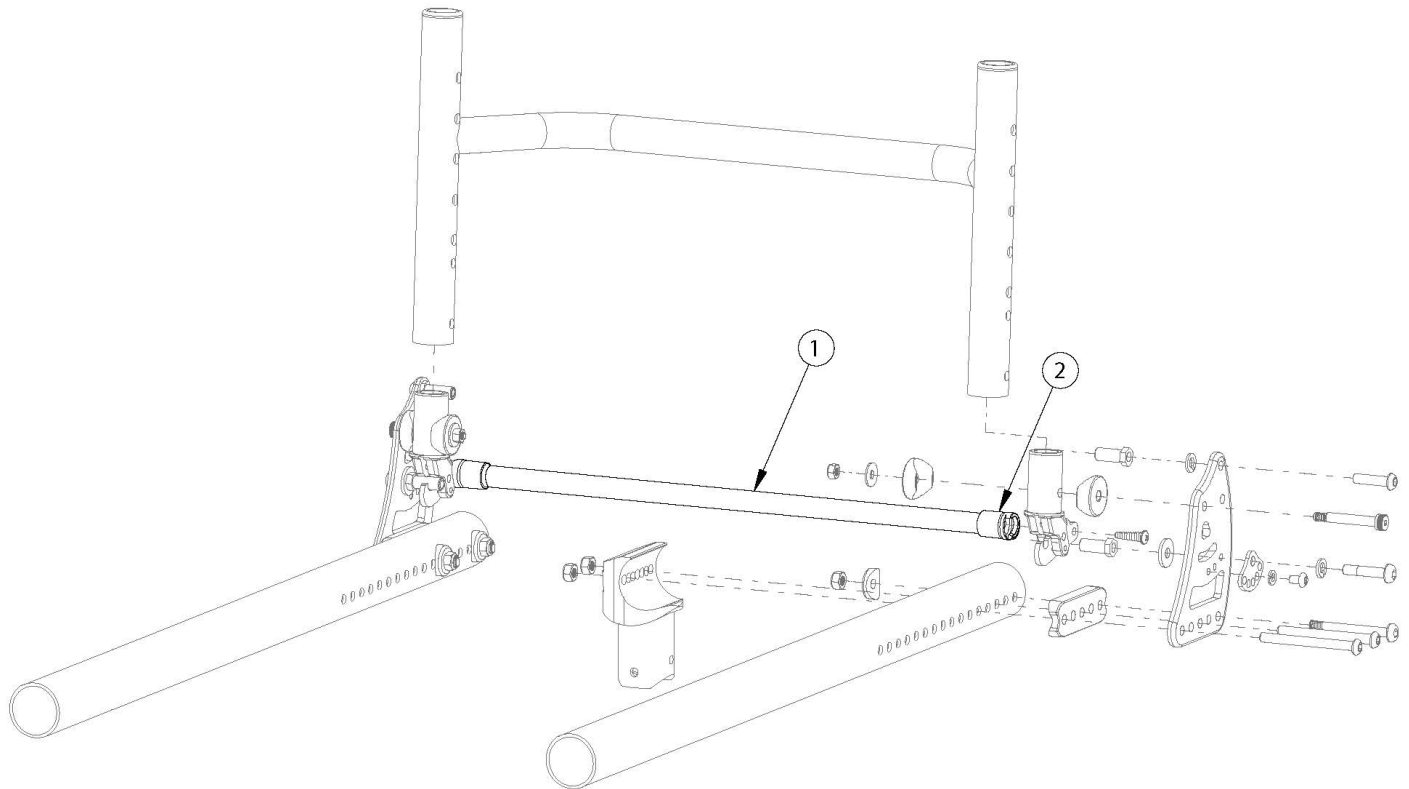


Rogue Style Locking Backrest Mount and Hardware on Tsunami - Growth



This Rogue Style Locking Backrest is not available with the Tsunami Heavy Duty option <p>

If retrofitting to this backrest style, a minimum 1" of adjustable depth is required in addition to new back frames and backrest tubes.

See Rogue Style Locking Backrest Mount and Hardware on Tsunami parts manual page.

Item Number	Part Number	Description	Quantity	Retail
1a, 2	107192	Backrest Release Bar Kit, 14" Wide, Black Anodized with Backrest Release Bar Ends	1	\$28.12
1b, 2	107193	Backrest Release Bar Kit, 15" Wide, Black Anodized with Backrest Release Bar Ends	1	\$28.12
1c, 2	107194	Backrest Release Bar Kit, 16" Wide, Black Anodized with Backrest Release Bar Ends	1	\$28.12
1d, 2	107195	Backrest Release Bar Kit, 17" Wide, Black Anodized with Backrest Release Bar Ends	1	\$28.12
1e, 2	107196	Backrest Release Bar Kit, 18" Wide, Black Anodized with Backrest Release Bar Ends	1	\$28.12
1f, 2	107197	Backrest Release Bar Kit, 19" Wide, Black Anodized with Backrest Release Bar Ends	1	\$28.12
1g, 2	107198	Backrest Release Bar Kit, 20" Wide, Black Anodized with Backrest Release Bar Ends	1	\$28.12