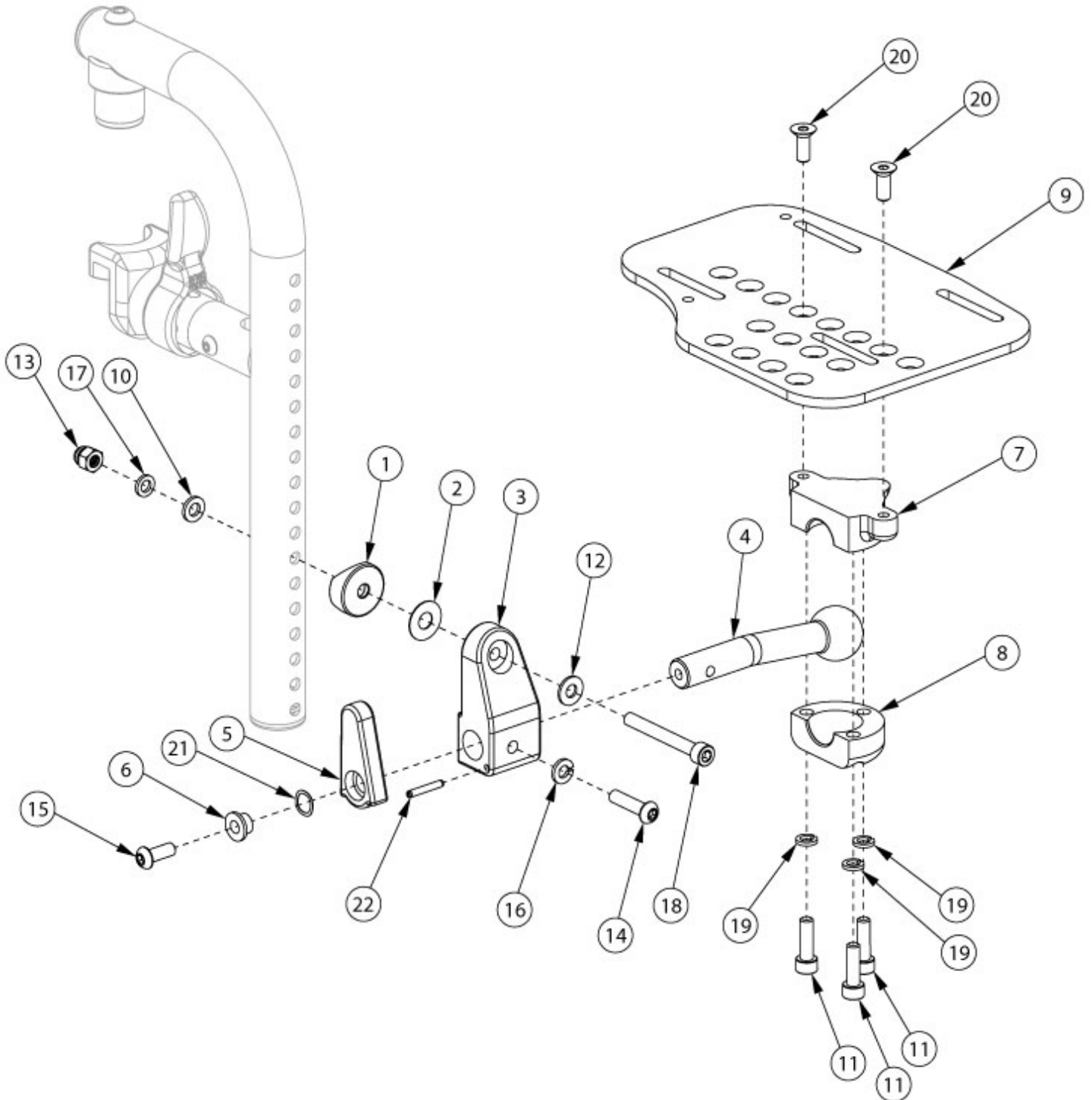


Spark Footplates - Aluminum Locking Multi-Angle Adjustable Front Mount



Sizes for footplates / assemblies are based on seat width. Only compatible with Front Mount Hangers.

Item Number	Part Number	Description	Quantity
1, 2, 3a, 4-8, 10-22	107618	Footplate Hardware Kit Aluminum Locking Multi-Angle Adjustable, Right	1
1, 2, 3b, 4-8, 10-22	107619	Footplate Hardware Kit Aluminum Locking Multi-Angle Adjustable, Left	1
1, 2, 3a-3b, 4-8, 10-22	107620	Footplate Hardware Kit Aluminum Locking Multi-Angle Adjustable, PAIR	1
1, 2, 3a, 4-8, 9a, 10-22	107605	Footplate Kit Aluminum Locking Multi-Angle Adjustable, 14-15" Wide, Right	1
1, 2, 3a, 4-8, 9c, 10-22	107606	Footplate Kit Aluminum Locking Multi-Angle Adjustable, 16-17" Wide, Right	1
1, 2, 3b, 4-8, 9b, 10-22	107610	Footplate Kit Aluminum Locking Multi-Angle Adjustable, 14-15" Wide, Left	1
1, 2, 3b, 4-8, 9d, 10-22	107611	Footplate Kit Aluminum Locking Multi-Angle Adjustable, 16-17" Wide, Left	1
1, 2, 3a-3b, 4-8, 9a-9b, 10-22	107615	Footplate Kit Aluminum Locking Multi-Angle Adjustable, 14-15" Wide, PAIR	1
1, 2, 3a-3b, 4-8, 9c-9d, 10-22	107616	Footplate Kit Aluminum Locking Multi-Angle Adjustable, 16-17" Wide, PAIR	1
1	000055	Saddle 1"	1
2	000428	Wear Washer	1
3a, 22	109294	Multi-Angle Footrest Mount 1", with Spring Pin, Right	1
3b, 22	109295	Multi-Angle Footrest Mount 1", with Spring Pin, Left	1
4	003820	Ball Shaft 1" Multi-Angle	1
5	003821	Latch, Footplate, Multi-Angle	1
6	003822	Bushing, Latch, Multi-Angle	1
7	003823	Clamp, Upper, Footplate, Multi-Angle	1
8	003824	Clamp, Lower, Footplate, Multi-Angle	1
9a	003829	Footplate, Multi-Angle, 14-15W, Right	1
9b	003830	Footplate, Multi-Angle, 14-15W, Left	1
9c	003831	Footplate, Multi-Angle, 16-17W, Right	1
9d	003832	Footplate, Multi-Angle, 16-17W, Left	1
10	100746	M6 Flat Washer Blk Zn	1
11	101180	M6 x 20 SHCS BLK ZC	3
12	101455	M6 Belleville Washer (.252 x .551 x .050)	1
13	101456	M6 Ovl Top L/N ZC	1
14	101593	M6 x 25 BTN SHCS BLKZC	1

Item Number	Part Number	Description	Quantity
15	101721	M6 X 16 Btn Shcs W/ Patch	1
16	101835	M6 Lock Washer Blk Zn	1
17	102072	Washer Nylon .234 ID x .406 OD x .062 Thick	1
18	102473	M6 X 50 CLS12.9 SHCS BLK ZC	1
19	102810	M6 Lockwasher, Hi-Collar, ZC	3
20	102936	M6 X 16 FHCS, Blk Zn	2
21	103539	Wave Spring, 3/8IDx1/2ODx.009T, SS	1