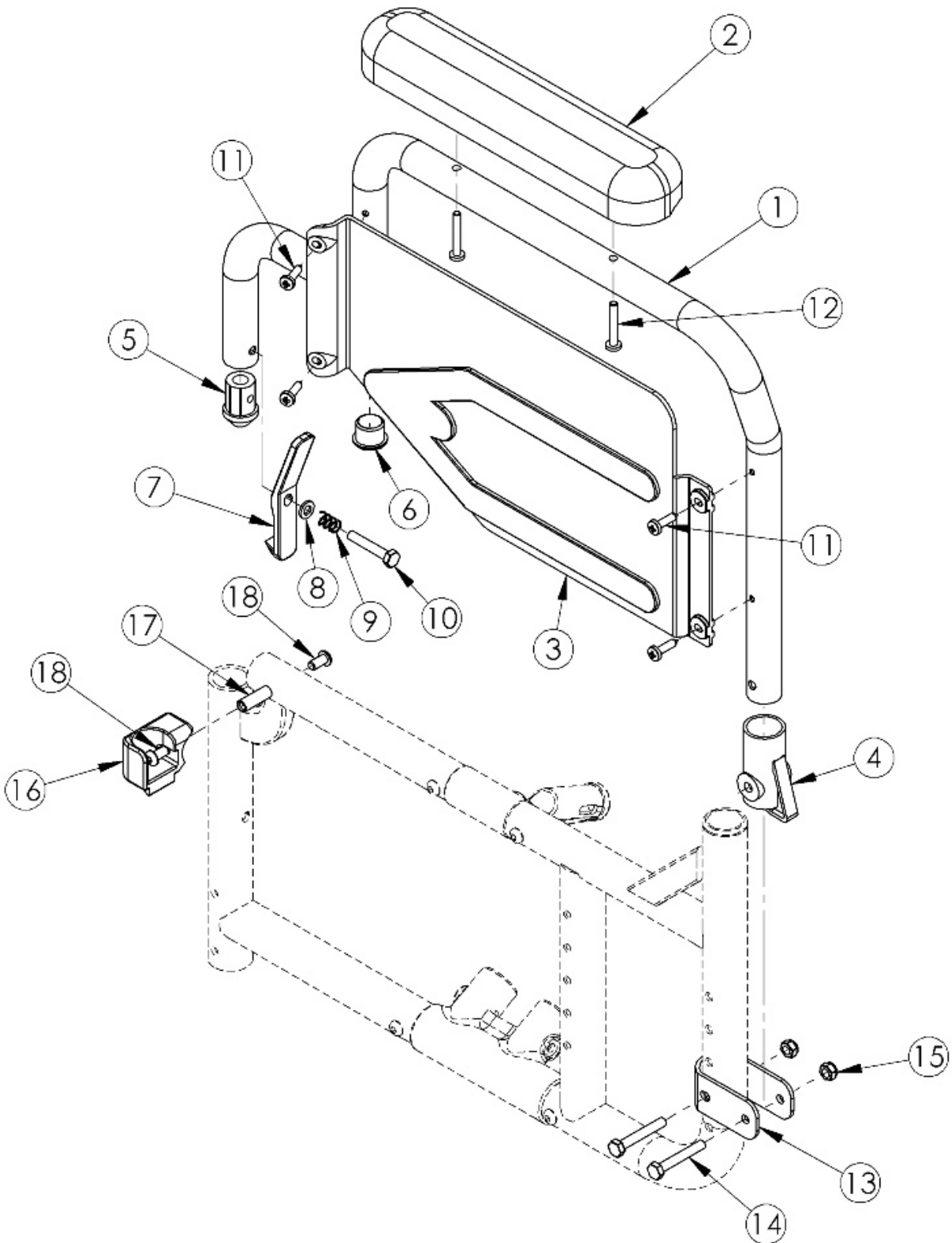


Catalyst 5 Flip Back Armrest



If retrofitting to Flip Back Armrests, please note the following: Receivers are needed New front frames are required If One Arm Drive is present, a new drive shaft may be required. In addition to a new drive shaft, order the corresponding hardware kit: 109438 for Blade Style One Arm Drive, 503433 for Hex Style One Arm Drive or 112898 for Quick Release Style One Arm Drive Extended wheellock clamps may be needed

| Item Number | Part Number | Description | Quantity |
|---|--------------------|---|-----------------|
| 1a, 2a, 3b, 4 - 12, 13, 14, 15, 16a, 17, 18 | 502259 | Armrest Flip Back w/ Receiver and Bracket Kit Left Desk CAT5 | 1 |
| 1c, 2a, 3a, 4 - 12, 13, 14, 15, 16b, 17, 18 | 502260 | Armrest Flip Back w/ Receiver and Bracket Kit Right Desk CAT5 | 1 |
| 1b, 2b, 3b, 4 - 12, 13, 14, 15, 16a, 17, 18 | 502261 | Armrest Flip Back w/ Receiver and Bracket Kit Left Full CAT5 | 1 |
| 1d, 2b, 3a, 4 - 12, 13, 14, 15, 16b, 17, 18 | 502262 | Armrest Flip Back w/ Receiver and Bracket Kit Right Full CAT5 | 1 |
| 1b, 1d, 2a, 3a, 3b, 4 - 12, 13, 14 - 18 | 502281 | Armrest Flip Back w/ Receiver and Bracket Kit PAIR Desk CAT5 | 1 |
| 1b, 1d, 2b, 3a, 3b, 4 - 12, 13, 14 - 18 | 502282 | Armrest Flip Back w/ Receiver and Bracket Kit PAIR Full CAT5 | 1 |
| 1a, 2a, 3b, 4 - 12 | 500734 | Armrest Assembly Std Flip Back Desk Left CAT | 1 |
| 1c, 2a, 3a, 4 - 12 | 500735 | Armrest Assembly Std Flip Back Desk Right CAT | 1 |
| 1b, 2b, 3b, 4 - 12 | 500736 | Armrest Assembly Std Flip Back Full Left CAT | 1 |
| 1d, 2b, 3a, 4 - 12 | 500737 | Armrest Assembly Std Flip Back Full Right CAT | 1 |
| 13, 14, 15 | 502252 | Armrest Flip Back Bracket Kit CAT5 | 1 |
| 16a, 17, 18 | 502253 | Armrest Flip Back Receiver Kit Left CAT | 1 |
| 16b, 17, 18 | 502254 | Armrest Flip Back Receiver Kit Right CAT | 1 |
| 2a | 100501 | Arm Pad Desk | 1 |
| 2b | 100500 | Arm Pad Full | 1 |
| 3a | 100687 | Armrest Flip Back Panel Fixed Right | 1 |
| 3b | 100688 | Armrest Flip Back Panel Fixed Left | 1 |
| 4 | 100691 | Armrest Flip Back Rear Pivot Bracket | 1 |
| 5 | 100690 | Armrest Flip Back Front Tube Plug | 1 |
| 6 | 100803 | Tube End Plug 7/8" | 1 |
| 7 | 100689 | Armrest Flip Back Release Lever | 1 |
| 8 | 102072 | Washer Nylon .234 ID x .406 OD x .062 Thick | 1 |

| Item Number | Part Number | Description | Quantity |
|-------------|-------------|---------------------------------------|----------|
| 9 | 100693 | Compression Spring 0.34" OD x 0.70 LG | 1 |
| 10 | 100860 | M6 x 35 HHCS P/THD ZC | 1 |
| 11 | 100723 | 10 x 3/4 PH Pan HD T-A T/S ZC | 4 |
| 12 | 100696 | M5 x 30mm PPH Capscrew | 2 |
| 13 | 000280 | Armrest Flip Back Bracket CAT 5 | 1 |
| 14 | 100681 | M6 x 40 CLS8.8 DIN931 HHCS ZC | 2 |
| 15 | 100658 | M6 Nylock Nut Blk Zn | 2 |
| 16a | 000081 | Armrest Flip Back Receiver Left CAT | 1 |
| 16b | 000082 | Armrest Flip Back Receiver Right CAT | 1 |
| 17 | 000065 | M6 x 23.68 Threaded Barrel | 1 |
| 18 | 100667 | M6 x 12 BTN SHCS BLKZC w/Patch | 2 |