

INSTRUCTION SHEET

SR45 TRANSIT KIT INSTALLATION

Tools Required:

- 3/16" hex key
- 1/4" hex key
- 1/2" wrench
- 7/16" wrench
- 7/16" socket
- Torque Wrench
- Vise Grips

Parts Required:

- Quickie SR45 Transit Kit (Fig1)
- (Sunrise Part Number 119875)



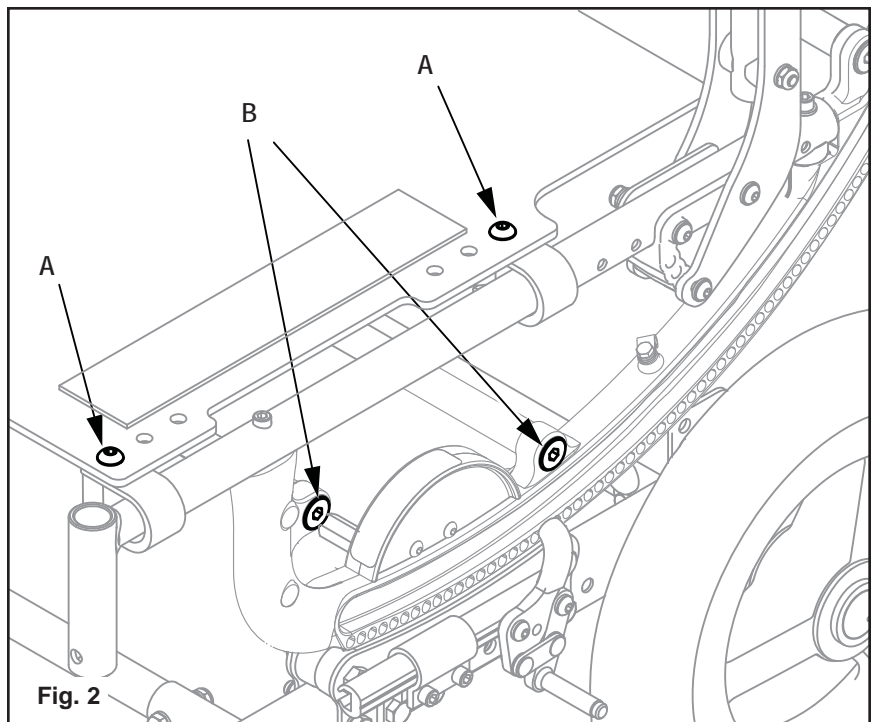
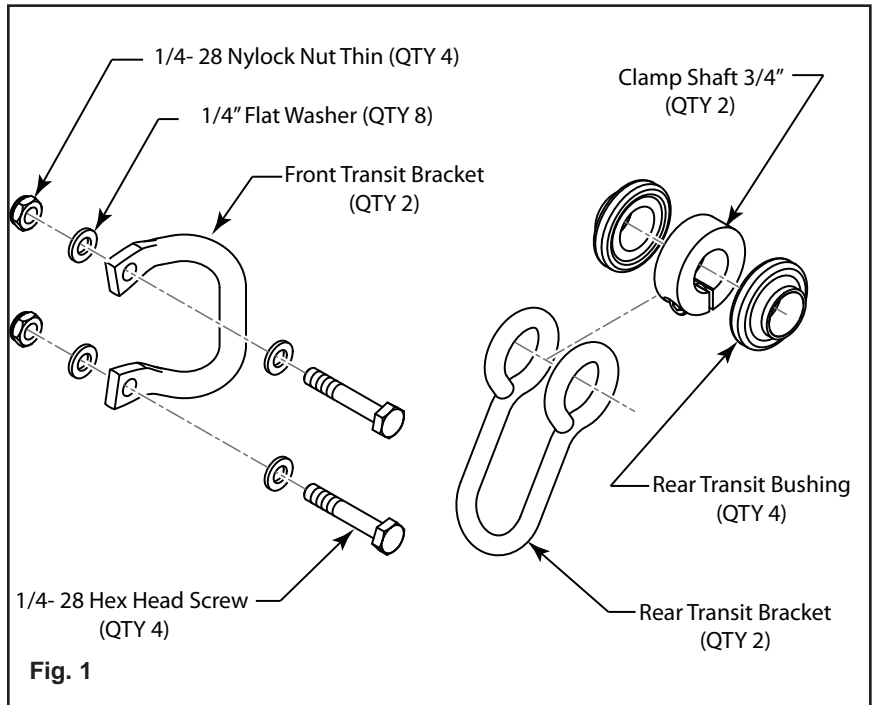
Failure to carefully read, understand and follow these instructions could result in severe injuries or death.

Please read and understand these instructions before beginning the installation.

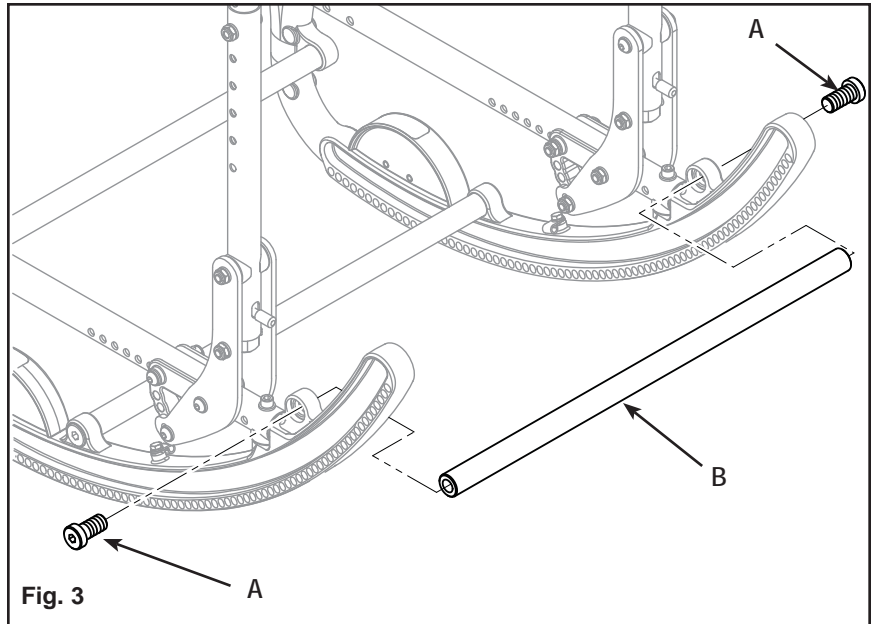
Before beginning the installation, make sure that all the parts are included (Fig1).

Installation Procedure:

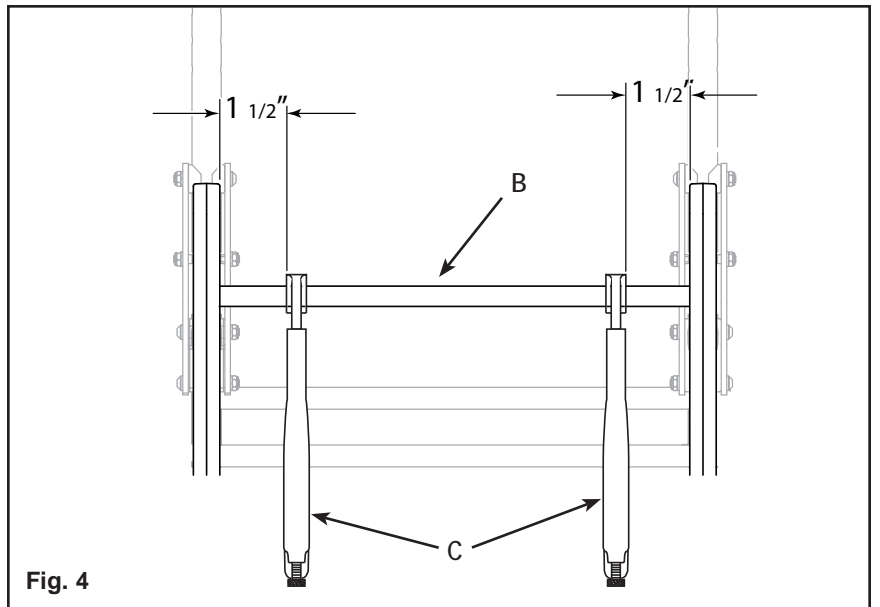
- 1) Remove Rear Wheels, Seat Cushion or seating system, and Backrest.
- 2) If Seat Pan is present use a 3/16 hex key and a 1/2" wrench to loosen the seat pan clamp bolts and nuts (A) two or three turns on one side only (Fig.2). If no Seat Pan is present, proceed to step 3
- 3) Using a 1/4 hex key loosen the Front and middle Strut Bolts (B) on the same side of the chair as in step 2 (Fig.2).



- 4) Using a 1/4 hex wrench remove both bolts (A) holding the Rear Rocker Strut (B) in place (Fig. 3). Spread the Rocker Arms apart and remove the Rear Rocker Strut (B)



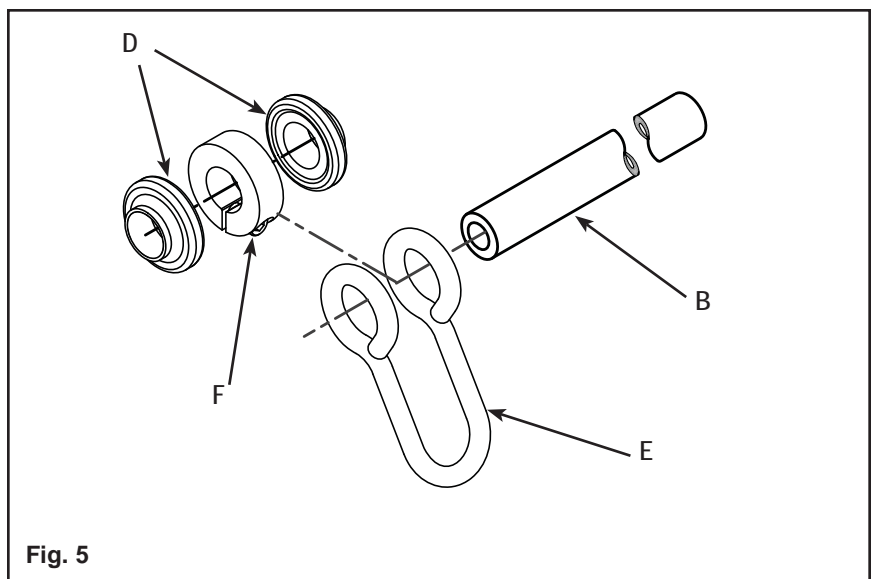
Note: It may be necessary to hold the strut with a pair of vise grips (C) to remove the bolts (Fig 4). If so, attach the vise grips to the strut at a point 1 1/2" away from the inside of the rocker then any marring of the tube will be covered by the transit bracket when it is attached.



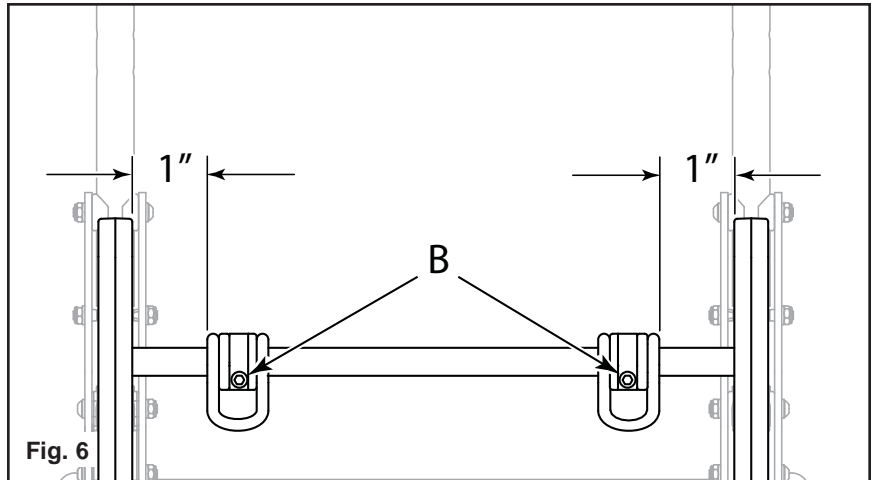
- 5) Insert the two plastic Transit Bushings (D) into either side of the Transit Bracket Loop (E) then slide the Clamp 3/4 (F) in between the two plastic bushings. Next slide the whole assembly onto the Rear Rocker Strut (B). Repeat for the second rear bracket assembly. (Fig 5)

Re-install the Rear Strut Tube (B) and tighten the bolts to 240 in/lbs (A) (Fig.3).

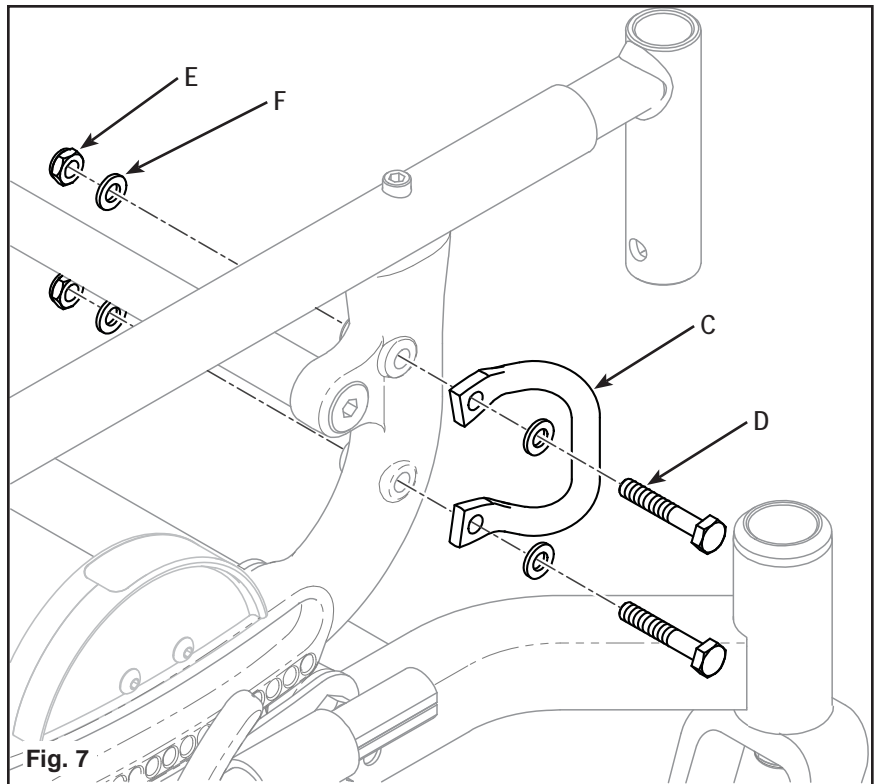
Tighten the middle and front strut bolts (B of Fig.2). Tighten any seat bolts that were loosened (B of Fig.2) to 240 in-lb. If Seat Pan is present retighten Seat Pan bolts to 120 in-lbs.



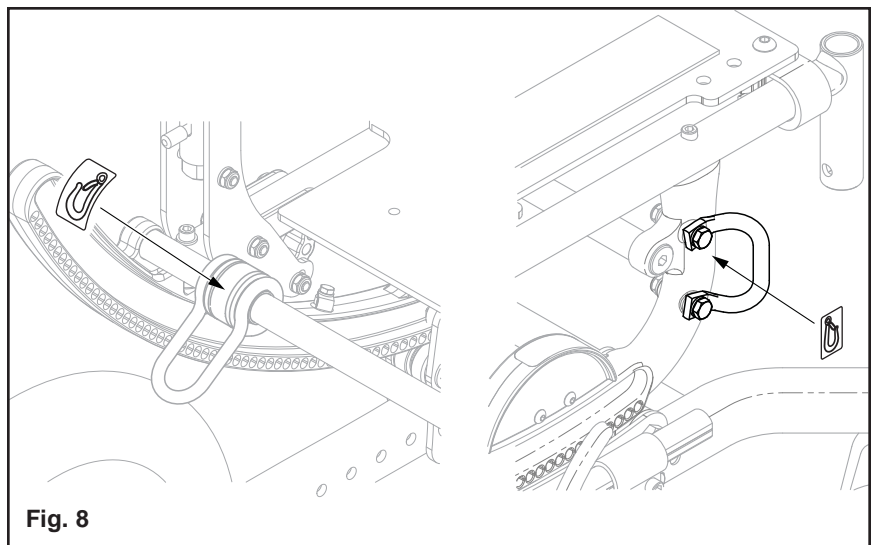
6) Position the rear Transit Brackets so there is a 1" gap between the inside surface of the Rocker and the Rear Transit Bracket. Then tighten both socket head cap screws (B) with a 3/16 hex to 120 in-lbs. (Fig 6)



7) Using a 7/16" wrench and a 7/16" socket wrench, attach the Front Transit Bracket (C)(Fig.7) with the 1/4-28 Hex Head Screws (D) and the 1/4" Flat Washers (F) 1. The Loop of the Bracket (C) will be pointing forward and out. Secure with 2 more 1/4" Flat Washers (F) and Nylock Nuts (E). Tighten the nylock nuts (E) and hex bolt to 120 in-lbs. Repeat for the opposite side Front Transit Bracket.



8) Affix the four transit decals as shown in Fig 8. (2 per side)



9) Re-install Rear Wheels, Seat Cushion, Armrests and Back to the chair.