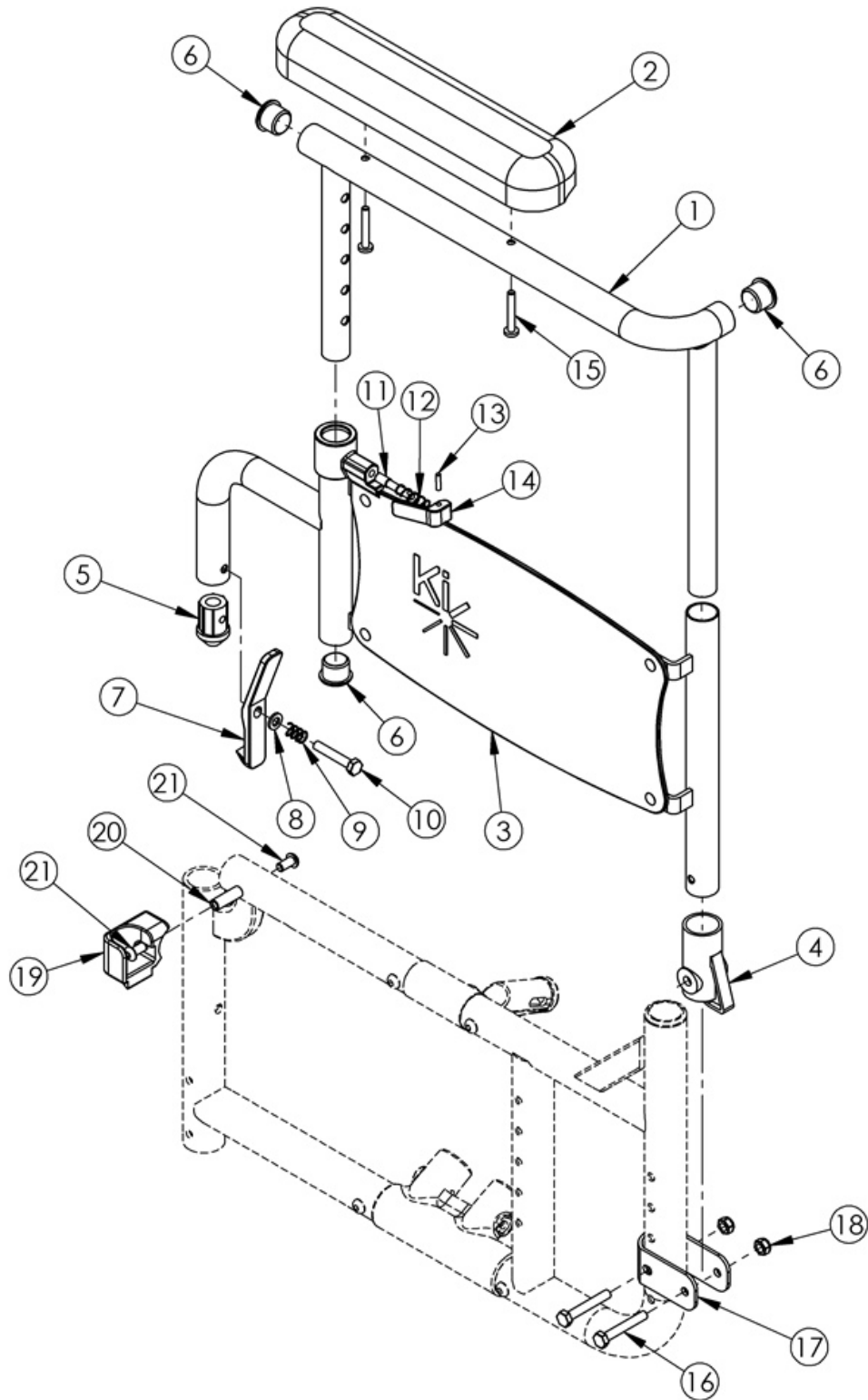


Discontinued Catalyst 5 Height Adjustable Flip Back Armrest



Item Number	Part Number	Description	Quantity
11-14	500711	Arm Height Adj Flip Back Lever Assembly	1
1b, 2b, 6, 15	503152	Armrest Assembly Height Adj Flip Back Upper Desk Right	1
1a, 2b, 6, 15	503153	Armrest Assembly Height Adj Flip Back Upper Desk Left	1
1c, 2a, 6, 15	503155	Armrest Assembly Height Adj Flip Back Upper Full Left	1
1c, 2a, 3a, 4-15	100191	Armrest Assembly Height Adj Flip Back Complete Full Left	1
3a, 4 -14	503150	Armrest Assembly Height Adj Flip Back Lower Left	1
3b, 4 -14	503151	Armrest Assembly Height Adj Flip Back Lower Right	1
16 -18	502264	Armrest Height Adjustable Flip Back Bracket Kit CAT5	1
19a, 20, 21	502265	Armrest Height Adjustable Flip Back Receiver Kit Left CAT	1
19b, 20, 21	502266	Armrest Height Adjustable Flip Back Receiver Kit Right CAT	1
1a	000382L	Armrest Flip Back Height Adj Frame Upper Desk Left	1
2a	100500	Arm Pad Full	1
2b	100501	Arm Pad Desk	1
3a, 11 - 14	000431-L	Armrest Flip Back Height Adj Frame Lower Left	1
4	100691	Armrest Flip Back Rear Pivot Bracket	1
5	100690	Armrest Flip Back Front Tube Plug	1
6	100803	Tube End Plug 7/8"	3
7	100689	Armrest Flip Back Release Lever	1
8	102072	Washer Nylon .234 ID x .406 OD x .062 Thick	1
9	100693	Compression Spring 0.34" OD x 0.70 LG	1
10	100860	M6 X 35 Hhcs P/Thd Zc	1
11	000099	Height Adjustable Armrest Lever Pin	1
12	000134	Height Adjustable Armrest Lever Spring	1
13	200257	Dowel Pin 1/8 x 1/2	1
15	100696	M5 x 30mm PPH Capscrew	2
16	100681	M6 x 40 CLS8.8 DIN931 HHCS ZC	2
17	000280	Armrest Flip Back Bracket CAT 5	1

Item Number	Part Number	Description	Quantity
18	100658	M6 Nylock Nut Blk Zn	2
19a	000081	Armrest Flip Back Receiver Left CAT	1
19b	000082	Armrest Flip Back Receiver Right CAT	1
20	000065	M6 x 23.68 Threaded Barrel	1
21	100667	M6 x 12 BTN SHCS BLKZC w/Patch	2