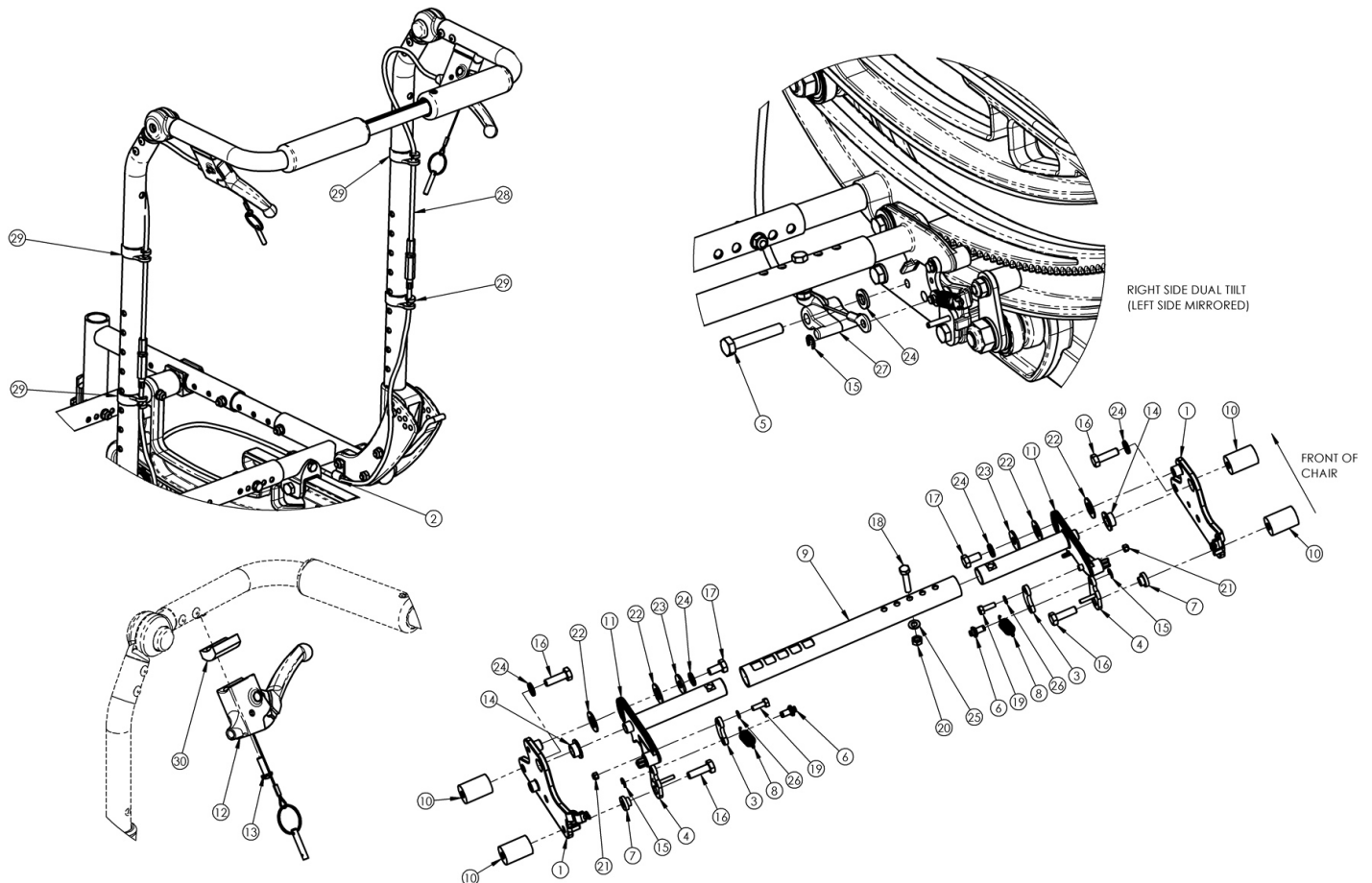


# (Discontinued 1) Focus CR Dual Hand Tilt Mechanism Fixed Height with Adjustable Handle Back



*This Focus CR Hand Tilt is discontinued and was used on chairs with serial numbers prior to FCR0025162 and FCHD002316.*

Item Number	Part Number	Description	Quantity
2, 10, 12, 13, 28a, 29	505241	Dual Hand Tilt / Trigger Kit for Short Fixed Height Back with Adjustable Handle, Focus	1
2, 10, 12, 13, 28b, 29	505242	Dual Hand Tilt / Trigger Kit for Tall Fixed Height Back with Adjustable Handle, Focus	1
1b, 14	503764	Tilt Lock Mount Bracket w/ Bearing Kit, Left, Focus, Dual Height Adjustable	1
2	001239	P-Clip 3/16"	2
4a	002084	Toggle, Drive, Tilt, R	1
4b	002085	Toggle, Drive, Tilt, L	1
5	101824	M6 X 30 Hhcs Blk Zn	2
6	003364	Pin, Toggle, Tilt	2

Item Number	Part Number	Description	Quantity
9a	002094	Growth Strut, Tilt Lock, Small	1
9b	002095	Growth Strut, Tilt Lock, Med	1
9c	002096	Growth Strut, Tilt Lock, Large	1
10	003367	Spacer, Tilt Lever	2
12	002801	Lever Assembly Horizontal Tilt	2
13	100696	M5 x 30mm PPH Capscrew	2
16a	101823	M6 X 20 Hhcs Blk Zn	4
16b	100674	M6 x 45 CLS10.9 DIN931 HHCS ZC <i>Used with Heavy Duty option/spacer</i>	2
16c	101826	M6 x 50 HHCS Blk Zn <i>Used with Heavy Duty option/spacer</i>	2
17	101822	M6 x 12 HHCS BLKZC w/Patch	2
18	101821	M5 x 25 HHCS Blk Zn	1
19	102783	M3 x 12 HHCS, CL8.8, Blk Zn	2
20	100657	M5 Nylock Nut Blk Zn	1
21	102784	Nut, Nylock, M3, Blk	2
22	102082	Washer Nylon .406IDX.75ODX.040	4
23	101853	M6 Washer Blk Zn	2
24	101835	M6 Lock Washer Blk Zn	5
25	101856	Flat Washer, M5, Blk Zn	1
26	102785	Flat Washer, M3, Blk Zn	2
27	003387	Cable Mount, Tilt	2
28a	002102	Cable, Tilt, Long	2
28b	002103	Cable, Tilt, XL	2
29	001117	Cable Clip 1"	4
30	001405	Spacer, .69OD x .24ID x .1.01Lg <i>Only used with Heavy Duty Option</i>	4