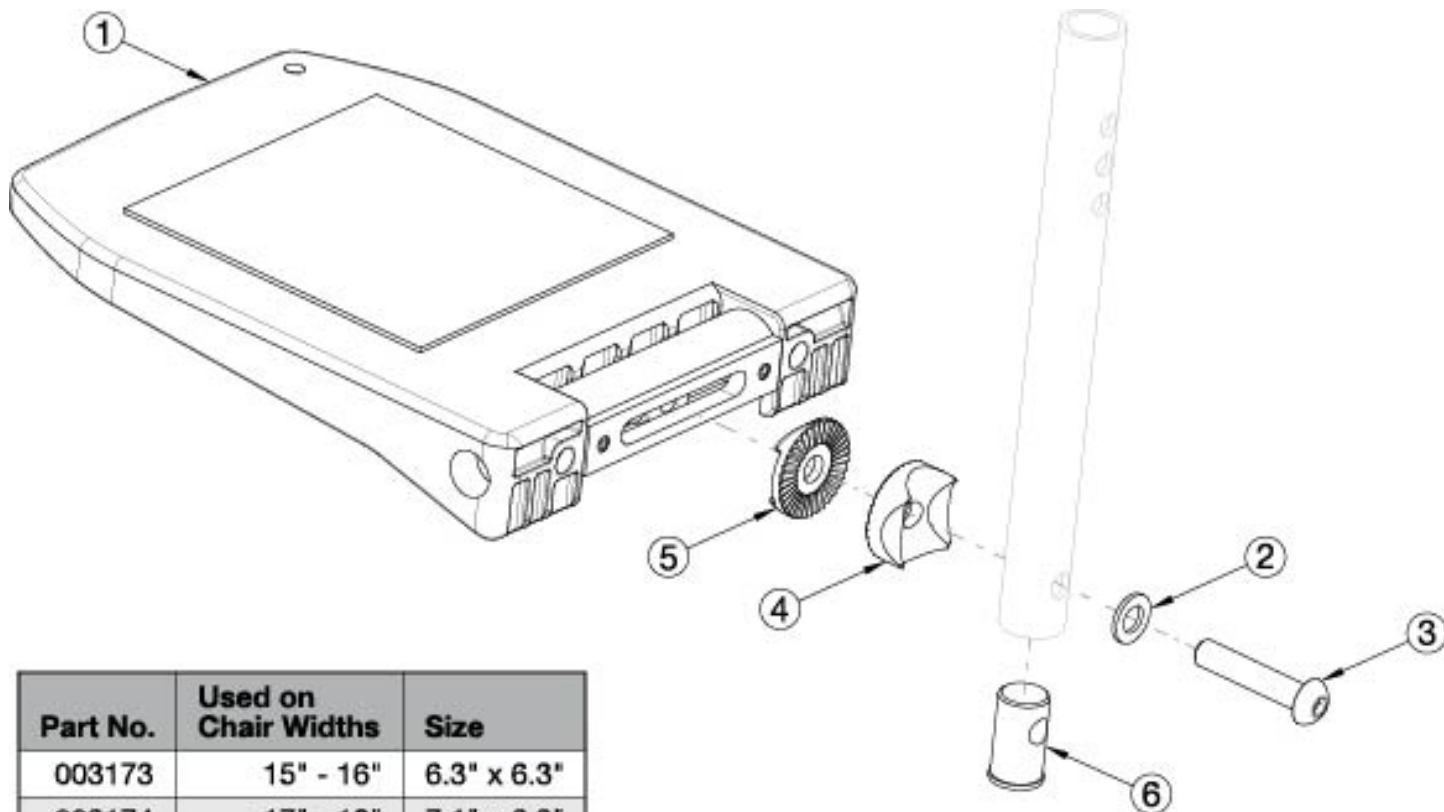


Catalyst / Liberty Composite Angle Adjustable Footplate



Part No.	Used on Chair Widths	Size
003173	15" - 16"	6.3" x 6.3"
003174	17" - 18"	7.1" x 6.3"
003175	19" - 22"	8.1" x 6.3"

If changing to Composite Angle Adjustable Footplates, new extension tubes are required. Only compatible with extension tube hangers.

Item Number	Part Number	Description	Quantity
2 - 6	503726	Extension Tube Hardware Assembly for Composite Angle Adjustable Footplate	1
1a	003173	Composite Angle Adjustable Footplate Small 15-16" Wide	1
1b	003174	Composite Angle Adjustable Footplate Medium 17-18" Wide	1
1c	003175	Composite Angle Adjustable Footplate Large 19-24" Wide	1
2	003188	Washer D8.4 x 1.6 MM	1
3	003189	Bolt M8 x 45MM, Galvanized Steel	1
4	003187	Locking Wheel w/Radius, R12.5 & R10, D30 x 11.3, Cast Steel, Black	1
5	003186	Locking Wheel w/Hexagon, D30 x 6.8/6, Cast Steel, Black	1
6	003161	Footplate Plug for Composite Angle Adjustable Footplate Extension Tube	1