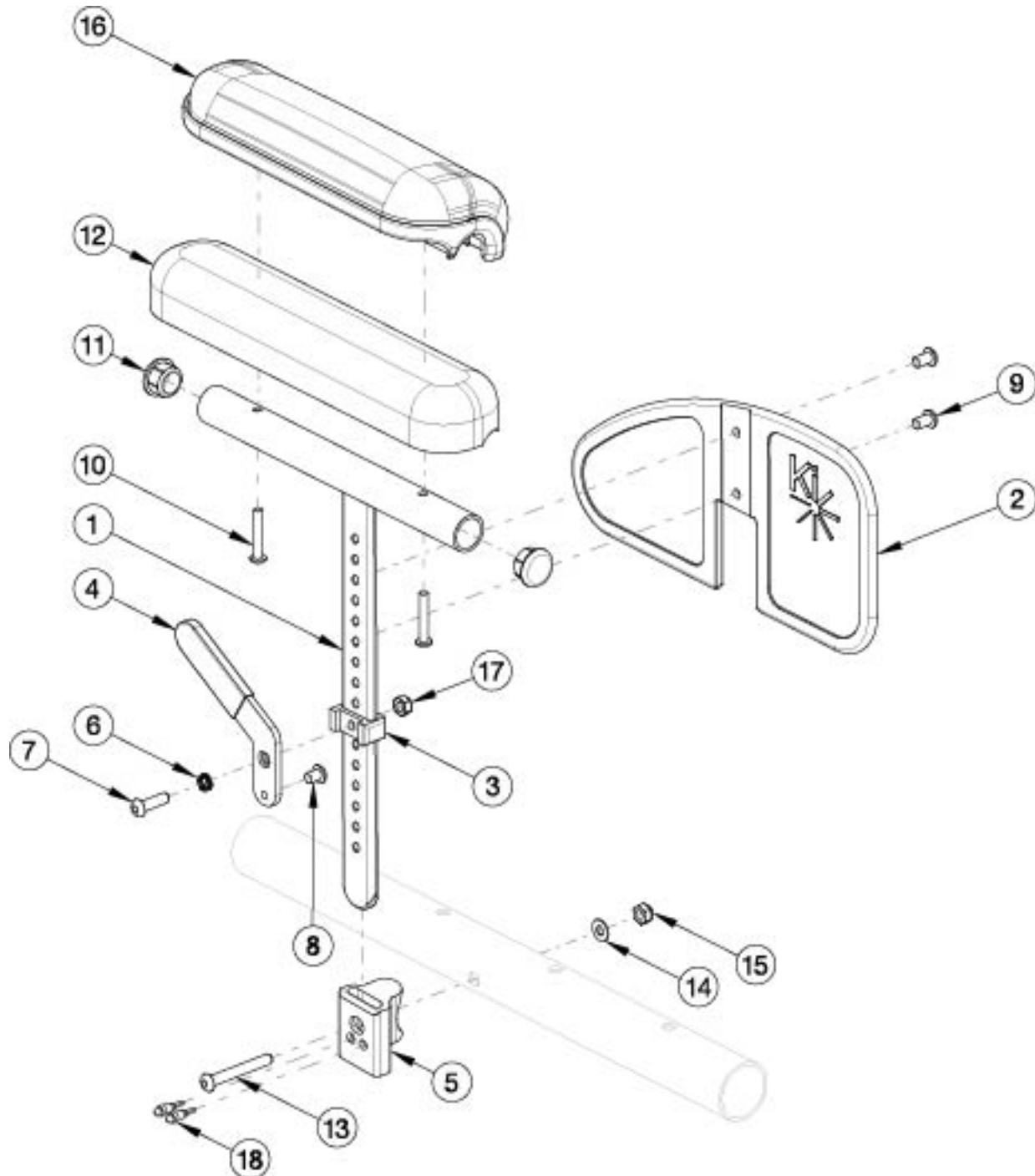


Little Wave Pediatric Height Adjustable T-Arm



Item Number	Part Number	Description	Quantity
1-3, 4a, 6-9, 10a, 11, 12, 17	500605	Armrest Pediatric T-Arm Assembly Left Standard Desk Arm Pad LW, Clik, Spark	1
1-3, 4b, 6-9, 10a, 11, 12, 17	500606	Armrest Pediatric T-Arm Assembly Right Standard Desk Arm Pad LW, Clik, Spark	1
1-3, 4a, 4b, 6-9, 10a, 11, 12, 17	500992	Armrest Pediatric T-Arm Assembly Standard Desk Arm Pad Pair LW, Clik, Spark	1

Item Number	Part Number	Description	Quantity
1-3, 4a, 6-9, 10b, 11, 16, 17	112607	Armrest Pediatric T-Arm Assembly Left Waterfall Desk Arm Pad LW, Klik, Spark	1
1-3, 4b, 6-9, 10b, 11, 16, 17	112608	Armrest Pediatric T-Arm Assembly Right Waterfall Desk Arm Pad LW, Klik, Spark	1
1-3, 4a, 4b, 6-9, 10b, 11, 16, 17	112609	Armrest Pediatric T-Arm Assembly Waterfall Desk Arm Pad Pair LW, Klik, Spark	1
1-3, 4a, 5-9, 10a, 11-15, 17, 18	120031	Armrest Pediatric T-Arm Assembly Left Standard Desk Arm Pad with Receiver LW	1
1-3, 4b, 5-9, 10a, 11-15, 17, 18	120032	Armrest Pediatric T-Arm Assembly Right Standard Desk Arm Pad with Receiver LW	1
1-3, 4a, 4b, 5-9, 10a, 11-15, 17, 18	120033	Armrest Pediatric T-Arm Assembly Standard Desk Arm Pad Pair with Receiver LW	1
1-3, 4a, 5-9, 10b, 11, 13-18	120034	Armrest Pediatric T-Arm Assembly Left Waterfall Desk Arm Pad with Receiver LW	1
1-3, 4b, 5-9, 10b, 11, 13-18	120035	Armrest Pediatric T-Arm Assembly Right Waterfall Desk Arm Pad with Receiver LW	1
1-3, 4a, 4b, 5-9, 10b, 11, 13-18	120036	Armrest Pediatric T-Arm Assembly Waterfall Desk Arm Pad Pair with Receiver LW	1
1, 11	501392	Pediatric T Arm Post	1
2.0	503881	Pediatric T Arm Panel w/Ki Logo	1
3	501395	Pediatric T Arm Bracket	1
4a	501396	Pediatric T Arm Lever Left	1
4b	501397	Pediatric T Arm Lever Right	1
5, 18	112060	Wide Side Guard Direct Mount Receiver 1-3/8" w/ Chamfer Black Anodized Rigid <i>Replaced part number 001415. This receiver design effective October 23rd, 2020</i>	1
5, 13 - 15, 18	503141	Wide Side Guard Direct Mount Receiver Assembly Black Anodized Rigid <i>Contains parts for one side</i>	1
6	101088	Wave Spring - 1/4 id x 3/8 od	1
7	101593	M6 x 25 BTN SHCS BLKZC	1
8	101702	M6 x 6 BTN SHCS ZC	1
9	101184	M6 x 10 BTN SHCS BLKZC w/Patch	2
10a	100696	M5 x 30mm PPH Capscrew <i>Used with Standard Arm Pad</i>	2
10b	100654	M5 x 40 DIN7985 PH Pan HD M/S ZC <i>Used with Waterfall Arm Pad</i>	2
11	100803	Tube End Plug 7/8"	2

Item Number	Part Number	Description	Quantity
12	100501	Arm Pad Desk	1
13	101125	M6 x 55 BTN SHCS BLKZC	1
14	100746	M6 Flat Washer Blk Zn	1
15	100658	M6 Nylock Nut Blk Zn	1
16	102521	Waterfall Arm Pad Desk	1
17	101456	M6 Ovl Top L/N ZC	1