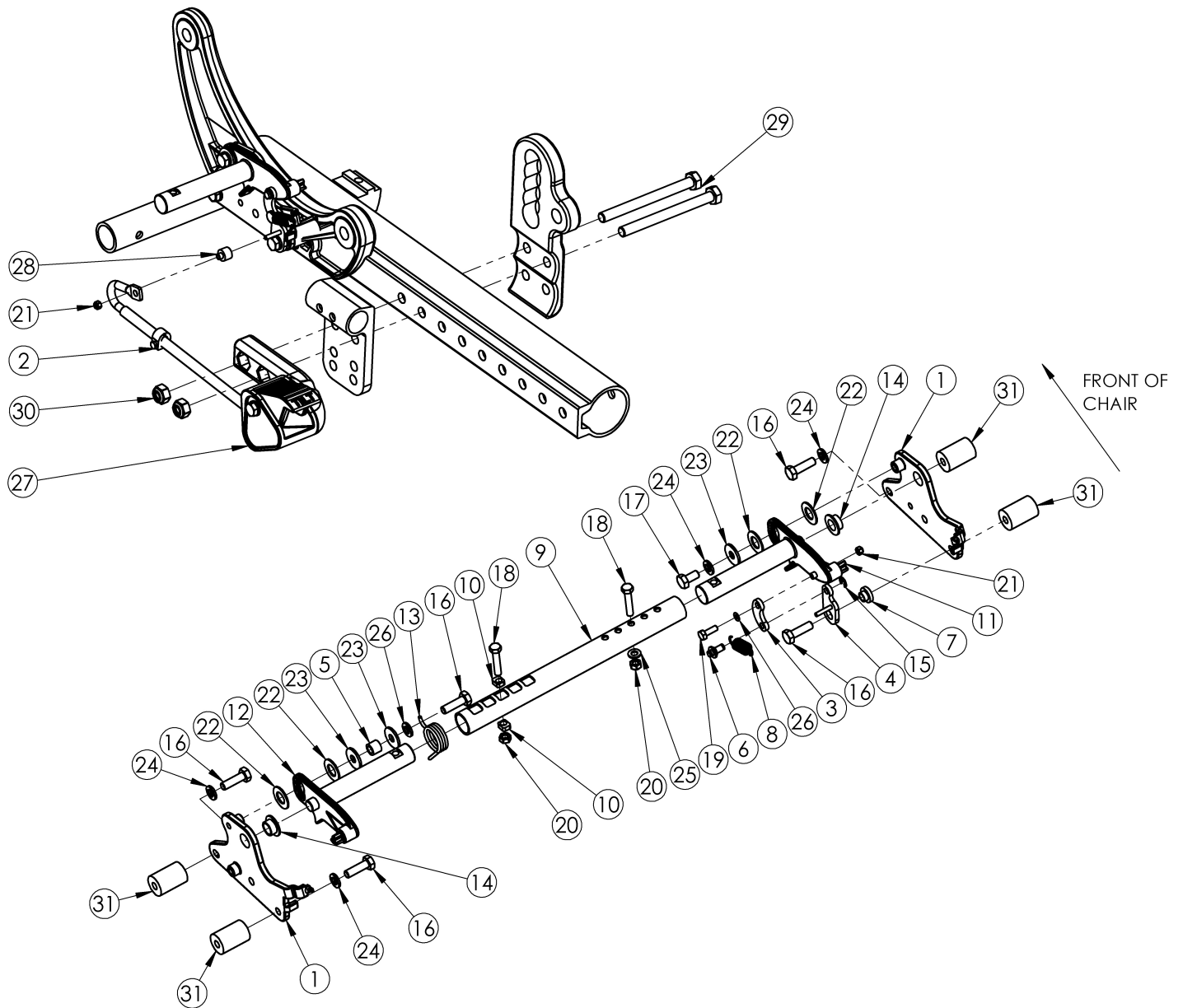


## (Discontinued 2) Focus CR Foot Tilt Mechanism



*This design effective starting with serial numbers FCR0013026 through FCR0025161 or FCHD002315*

| Item Number | Part Number | Description   | Quantity |
|-------------|-------------|---|----------|
| 1a, 14      | 502690      | Tilt Lock Mount Bracket w/ Bearing Kit, Right Focus | 1        |
| 1b, 14      | 502691      | Tilt Lock Mount Bracket w/ Bearing Kit, Left Focus  | 1        |
| 4a          | 002084      | Toggle, Drive, Tilt, R                              | 1        |
| 4b          | 002085      | Toggle, Drive, Tilt, L                              | 1        |
| 5           | 002086      | Spacer, .38ODx.24IDx.31LG                           | 1        |

| Item Number | Part Number | Description   | Quantity |
|-------------|-------------|---|----------|
| 6           | 003364      | Pin, Toggle, Tilt   | 1        |
| 9a          | 002094      | Growth Strut, Tilt Lock, Small  | 1        |
| 9b          | 002095      | Growth Strut, Tilt Lock, Med  | 1        |
| 9c          | 002096      | Growth Strut, Tilt Lock, Large  | 1        |
| 10          | 002097      | Insert, Drive, Tilt   | 2        |
| 13a         | 001109      | Spring Tilt Lock Right TILT<br><i>Used with left side assembly</i>                                  | 1        |
| 13b         | 001110      | Spring Tilt Lock Left TILT<br><i>Used with right side assembly</i>                                  | 1        |
| 16a         | 101823      | M6 X 20 Hhcs Blk Zn<br><i>Standard weight capacity requires qty 5; Heavy Duty requires qty of 1</i> | 5        |
| 16b         | 100674      | M6 x 45 CLS10.9 DIN931 HHCS ZC<br><i>Used with Heavy Duty option/spacer</i>                         | 3        |
| 16c         | 101826      | M6 x 50 HHCS Blk Zn<br><i>Used on drive side tilt with Heavy Duty option/spacer</i>                 | 1        |
| 17          | 101822      | M6 x 12 HHCS BLKZC w/Patch  | 1        |
| 18          | 101821      | M5 x 25 HHCS Blk Zn   | 2        |
| 19          | 102783      | M3 x 12 HHCS, CL8.8, Blk Zn   | 1        |
| 20          | 100657      | M5 Nylock Nut Blk Zn  | 2        |
| 21          | 102784      | Nut, Nylock, M3, Blk  | 2        |
| 22          | 102082      | Washer Nylon .406IDX.75ODX.040  | 4        |
| 23          | 101853      | M6 Washer Blk Zn  | 3        |
| 24          | 101835      | M6 Lock Washer Blk Zn   | 5        |
| 25          | 101856      | Flat Washer, M5, Blk Zn   | 1        |
| 26          | 102785      | Flat Washer, M3, Blk Zn   | 1        |
| 28          | 002090      | Drive Bushing, Tilt Lock  | 1        |
| 29a         | 101832      | M8 x 90 HHCS Blk Zn   | 2        |
| 29b         | 102384      | M8 x 100 HHCS Blk Zc Part THD<br><i>Used with Attendant Foot Lock</i>                               | 2        |
| 30          | 100659      | M8 Nylock Nut Blk Zn  | 2        |

| Item Number | Part Number | Description  | Quantity |
|-------------|-------------|--|----------|
| 31          | 001405      | Spacer, .69OD x .24ID x .1.01Lg<br><i>Only used with Heavy Duty option</i> | 4        |