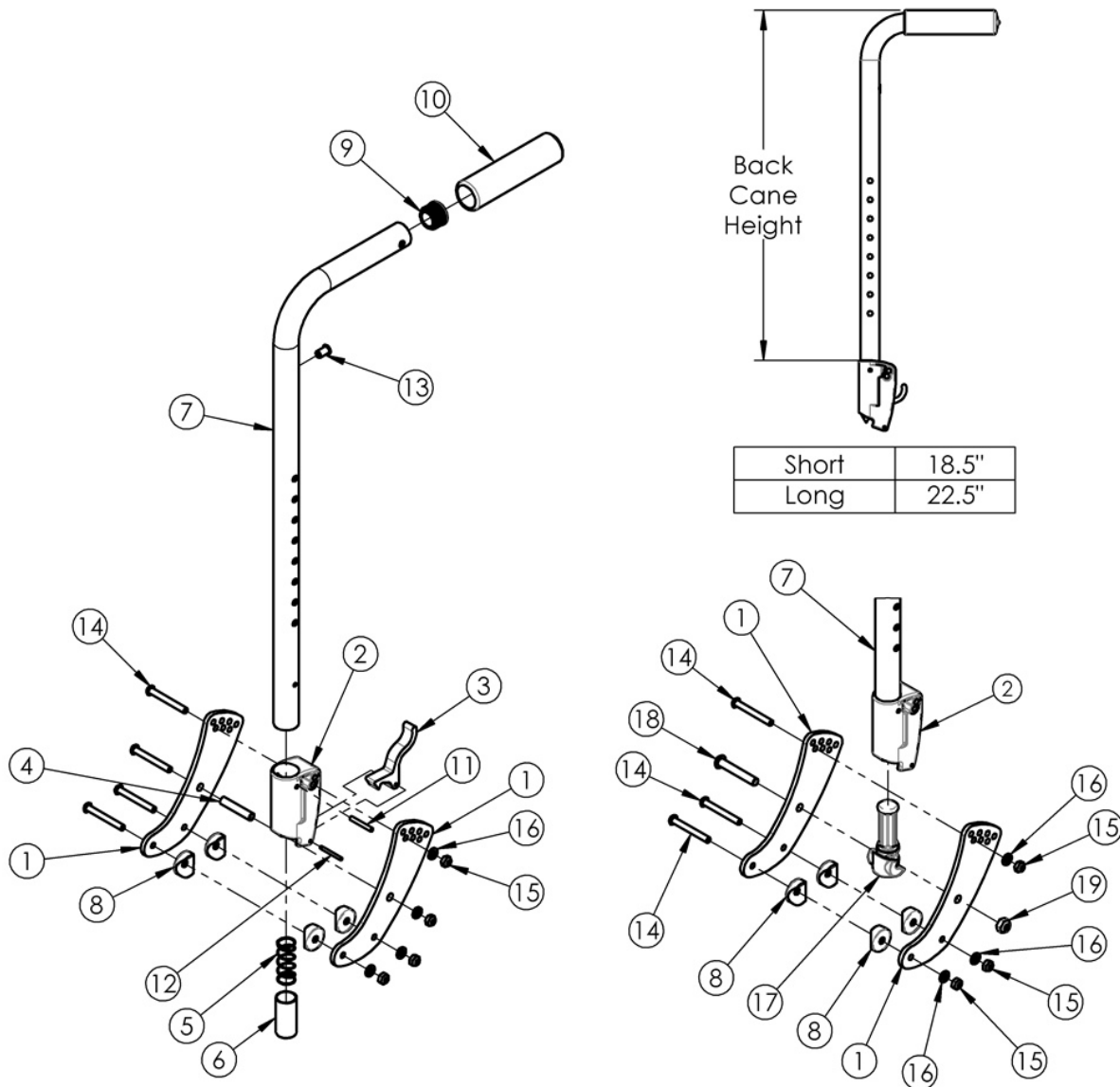


(Discontinued 1) Focus CR Stroller Handle Backrest



This Focus CR Stroller Handle Backrest was effective prior to October 2015.

| Item Number | Part Number | Description | Quantity |
|-----------------------|-------------|--|----------|
| 1, 4, 8, 14 - 16 | 501094 | Backrest Hardware Kit Std Focus | 1 |
| 1, 8, 14 - 16, 18, 19 | 501406 | Backrest Hardware Kit, Std Non Folding, Pair Focus | 1 |
| 1 | 001071 | Back Plate Std TILT | 2 |
| 4 | 001075 | Stop Pin Backrest Tilt | 1 |

| Item Number | Part Number | Description | Quantity |
|--------------------|--------------------|--------------------------------------|-----------------|
| 8 | 000055 | Saddle 1" | 4 |
| 9 | 100804 | Tube End Plug 1" | 1 |
| 14 | 101781 | M6 x 50mm Partial Thread BHCS Blk ZC | 4 |
| 15 | 100658 | M6 Nylock Nut Blk Zn | 4 |
| 16 | 100746 | M6 Flat Washer Blk Zn | 4 |
| 18 | 101815 | M8 x 50 BHCS Blk Zn | 1 |
| 19 | 100659 | M8 Nylock Nut Blk Zn | 1 |