



## DYNAMIC ASSEMBLY INSTALLATION MONO BACKREST SYSTEM



Please read these instructions carefully before beginning the installation. Failure to understand and follow installation instructions may result in injury to installer and/or end user and may void the warranty.  
If you have any questions call Sunrise Medical Technical Support at 800-333-4000

### Parts included in this Kit (Fig 1)

- |   |                                       |
|---|---------------------------------------|
| a. 1 each right side dynamic sub-assembly w/strut | d. 1 each large capscrew              |
| b. 1 each left side dynamic sub-assembly          | e. 1 each locktite packet (not shown) |
| c. 2 each small capscrew                          |                                       |

### 2. Tools needed:

- 1/4", 3/16", 5/32" hex key
- 7/16" open end wrench
- 1/2" open end wrench
- Torque wrench w/standard hex bits.

This instruction will take you through the step by step process of installing a new dynamic sub-assembly onto your Quickie or Zippie IRIS.

### A. PRE-INSTALLATION

- Remove the seat cushion from the chair.
- Place the chair on a flat work surface or workbench for the best installation results.
- Mark or record the hardware placement for the:
  - Seat pan location and depth setting (A)
  - Back angle setting
  - Armrest location (B)(C)

**NOTE – It is necessary to mark or record the basic fit characteristics of the chair so that there is an accurate guide for a correct re-assembly.**

### B. REMOVE THE SUB-ASSEMBLY

#### 1. Remove the seat pan. 2 3

- Using a 3/16" hex key and a 1/2" open end wrench, remove the four sets of hardware (A) shown (Fig. 2 and 3).
- Set the hardware aside for re-assembly later.

#### 2. Remove the armrests (cantilever armrest shown). 4 5

- Using a 5/32" hex key, and a 7/16" open end wrench or socket wrench, remove the hardware (B).
- Using a 5/32" hex key, remove the hardware (C).
- Set the hardware aside for re-assembly later.
- Remove the armrest (D).
- Use the same procedure to remove the other armrest.

**NOTE – For dual post armrests, follow same basic procedure.**

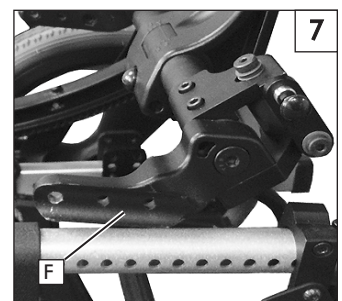
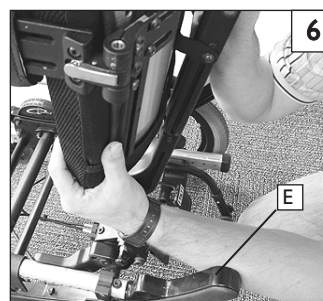
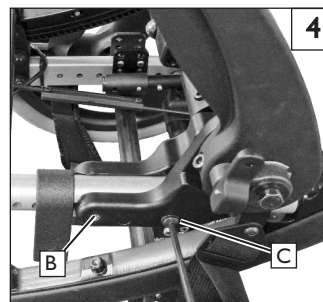
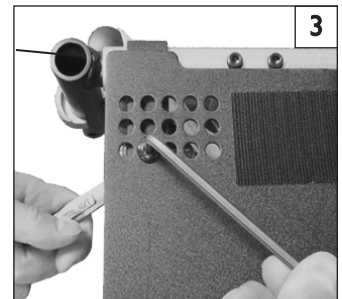
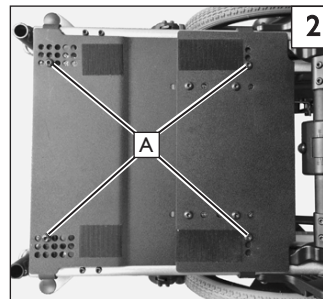
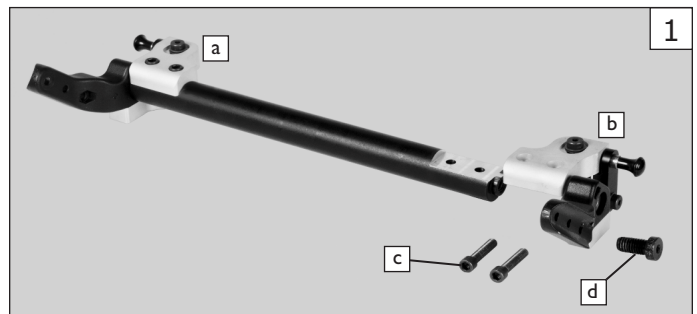
- Set the armrest and hardware aside for re-assembly later.

#### 3. Remove the backrest and dynamic sub-assembly. 6 7

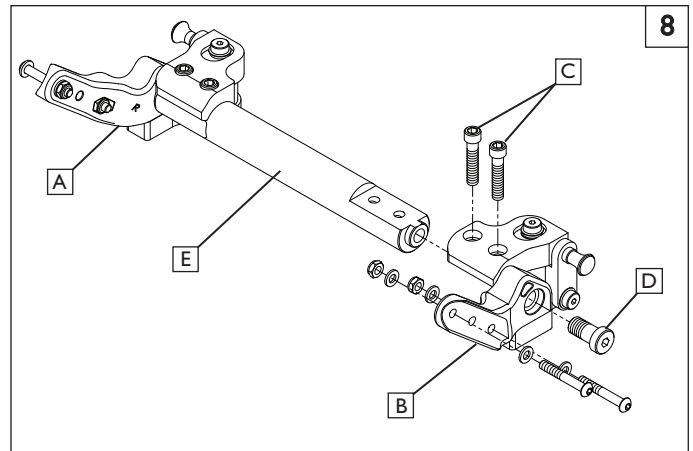
- While holding backrest with hands, flex the rockers (E) apart about 6mm so the backrest assembly may be removed.

**NOTE – For larger seat widths, removing the Mono backrest assembly may require 2 people to flex the rockers and free the Mono backrest assembly.  
(Fig. 6) shows a method using the forearms to spread the the rocker arms and remove the assembly.**

- Pull up on the left side (F) of the Mono backrest assembly, until it is free, then remove the Mono backrest assembly from the wheelchair seat frame.

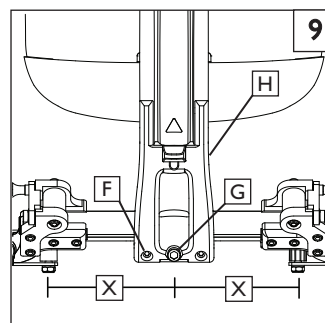


4. **Remove the left side dynamic sub-assembly** 8
  - a. Using a 1/4" hex key, remove large screw (D). It may be difficult to remove because of a locktite patch on the threads.
  - b. Using a 3/16" hex key, remove the 2 top screws (C).
5. **Remove right dynamic sub-assembly and strut** 8 9
  - a. Using the 3/16" hex key loosen DO NOT REMOVE the two clamp screws (F).
  - b. If the strut (E) is not loose, loosen screw (G). This step is not always needed.
  - c. Slide the strut and right side dynamic sub-assembly out to the right side.
  - d. Discard the old dynamic sub-assembly and associated hardware.

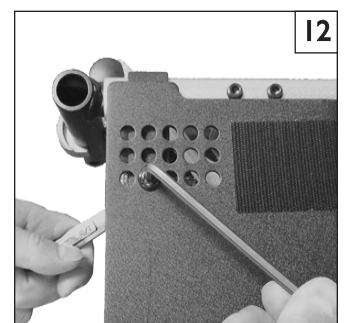
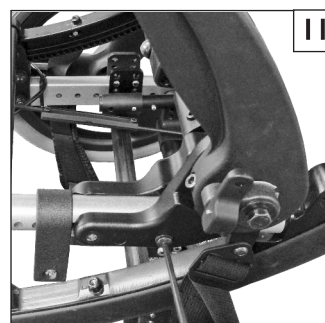


**C. INSTALL THE NEW DYNAMIC ASSEMBLY**

1. **Replace the strut and dynamic sub-assemblies** 8
  - a. Slide replacement sub-assembly (A) into the clamp (H).
  - b. Attach the left-hand dynamic sub-assembly (B) to the strut (E) by threading the 2 screws (C) into the strut, and tightening them with a 1/4" hex key.
  - c. Locate the large strut screw (D). Before threading the screw, add locktite from the packet included with your kit, to the lower half of the screw threads and thread the screw to 100 in-lbs with a 1/4" hex key. **Do not overtighten this screw.**



2. **Center the new dynamic assembly** 9
  - a. Using a scale, make sure the assembly is centered as shown.
  - b. Once the dimension (X) is the same on both sides, use a 3/16" hex key, and tighten the two clamp screws (F) to 100 in-lbs.
  - c. Tighten screw (G) if you had to loosen it in the process.
3. **Re-attach backrest to chair frame** 10
  - a. Place one seat rail bracket against the seat rail, then press the other side down.
  - b. Slide the backrest assembly into the correct hole position.
4. **Re-attach armrests** 11
  - a. Using a 5/32" hex key and 7/16" open end wrench, place the armrest in the correct position and attach the hardware through the seat rail and backrest seat rail bracket.
  - b. Tighten armrest/seat rail hardware.
5. **Re-attach the seat pan** 12
  - a. Make sure the seat pan is in its original location.
  - b. Using a 3/16" hex key and 1/2" open end wrench, attach the 4 sets of hardware (Fig. 2) (A).
  - c. Tighten seat pan hardware.



**D. CHECKOUT**

1. **Double-check orientation and torque on all hardware.**
  - a. Check that all components have been installed evenly.
  - b. Using a torque wrench, check all hardware for correct torque.

**DEALER/TECHNICIAN WARNING**



Attention dealers and qualified technicians. Do not operate or service this wheelchair without first reading the owner's manual. If you do not understand the instructions and warnings in the owner's manual please contact the Quickie Technical Service Department before operating and/or servicing the Quickie wheelchair. Failure to do so may result in damage and/or injury.

Sunrise Medical • 2842 Business Park Ave. • Fresno, CA 93727 • USA  
In Canada (800) 263-3390