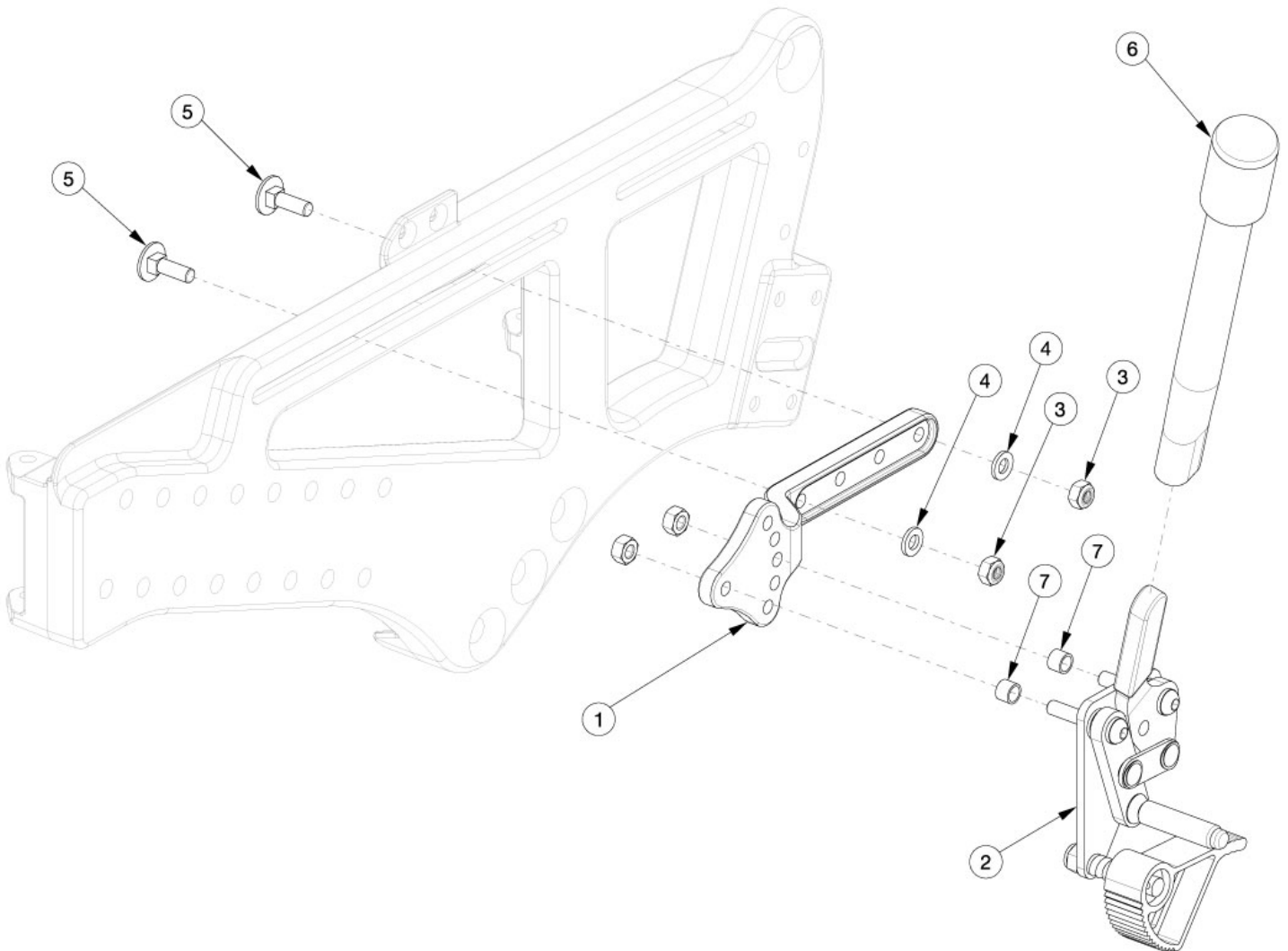


Liberty Grade Aid



Item Number	Part Number	Description	Quantity
1, 2a, 3-5, 7	506179	Wheel Lock Assembly, Push Grade Aid Right	1
1, 2b, 3-5, 7	506180	Wheel Lock Assembly, Push Grade Aid Left	1
1, 2a, 3-7	506181	Wheel Lock Assembly, Push Grade Aid with Extension Right	1
1, 2b, 3-7	506182	Wheel Lock Assembly, Push Grade Aid with Extension Left	1
1	003329	Mount, Wheel Lock	1
2a, 7	003672	Wheel Lock, Push, Grade Aid, Right	1
2b, 7	003673	Wheel Lock, Push, Grade Aid, Left	1
2a, 6, 7	003674	Wheel Lock, Push, Grade Aid with Extension, Right	1

Item Number	Part Number	Description	Quantity
2b, 6, 7	003675	Wheel Lock, Push, Grade Aid with Extension, Left	1
3	100658	M6 Nylock Nut Blk Zn	2
4	100746	M6 Flat Washer Blk Zn	2
5	103032	M6 x 20 Carriage Bolt, Blk Zn	2
6	200369	Wheel Lock Extension <i>6" long extension</i>	1