

LECKEY^o

Advanced Bath Chair Spare Parts Catalogue



Contents

03-04 Advanced Bath Chair

Please substitute -XX for the following colours when placing order:

01 - Aquamarine

02 - Royal Blue

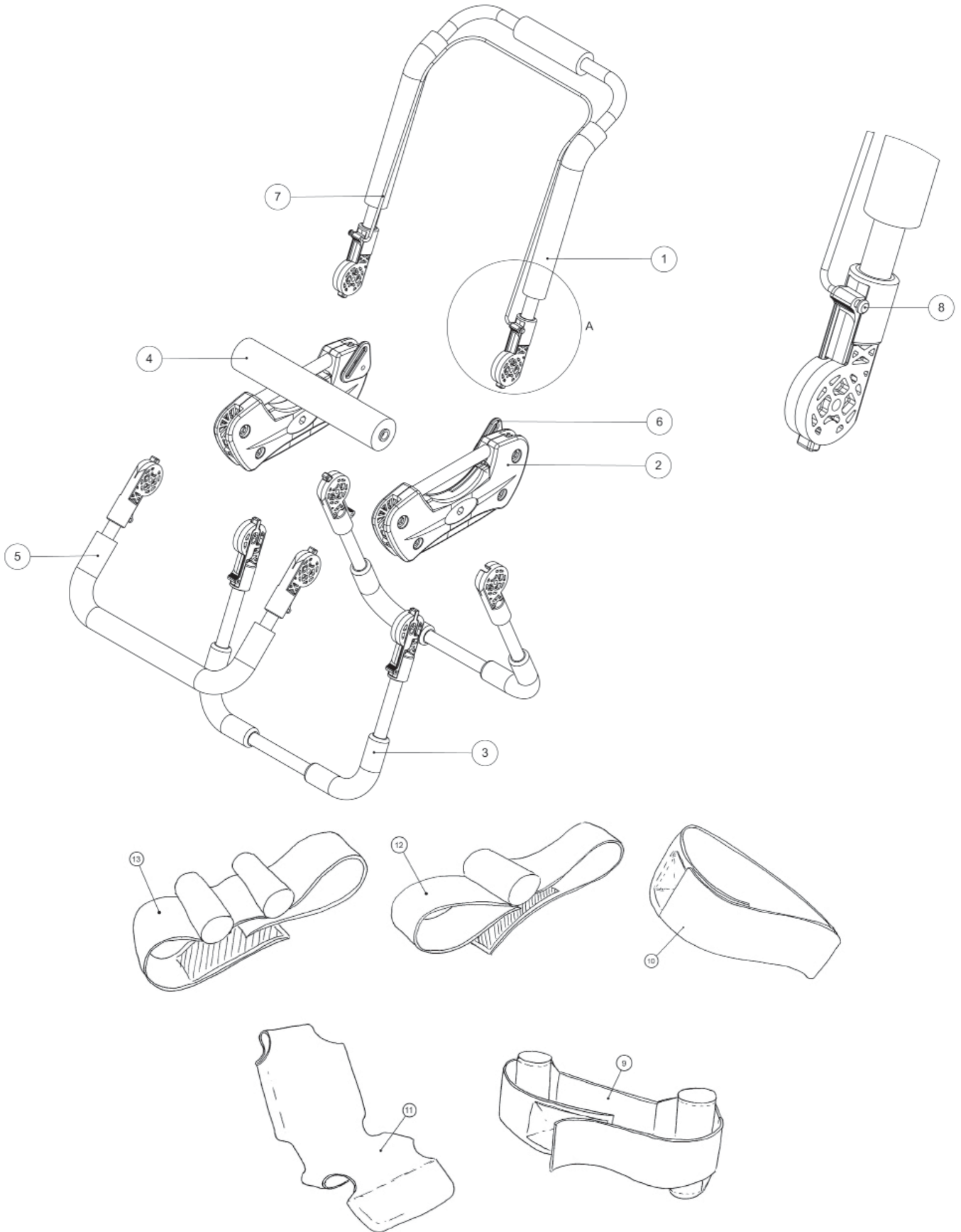
03 - Irish Green

04 - Terracotta

05 - Violet

06 - Sunshine Yellow

Advanced Bath Chair



Advanced Bath Chair

Pos.	Leckey Code	Description	Qty	Compatible with			
				Size 1	Size 2	Size 3	Size 4
1	RAP-4-1955	Backrest Assembly Size 1	1	✓			
1	RAP-4-2955	Backrest Assembly Size 2	1		✓		
1	RAP-4-3955	Backrest Assembly Size 3	1			✓	
1	RAP-4-4955	Backrest Assembly Size 4	1				✓
2	RAP-4-1956	Side Moulding Assembly Size 1	1	✓			
2	RAP-4-2957	Side Moulding Assembly Size 2	1		✓		
2	RAP-4-3958	Side Moulding Assembly Size 3	1			✓	
2	RAP-4-4959	Side Moulding Assembly Size 4	1				✓
3	RAP-4-1900	Lower Leg Assembly Complete Size 1-4	1	✓	✓	✓	✓
4	RAP-4-1957	Knee Roll Assembly Size 1-4	1	✓	✓	✓	✓
5	RAP-4-1958	Calf Support Assembly Size 1 & 2	1	✓	✓		
5	RAP-4-3958	Calf Support Assembly Size 3 & 4	1			✓	✓
6	RAP-4-1064	Belt Plate	1	✓	✓	✓	✓
7	RAP-4-1039	Back Angle Adjuster Bar Size 1	1	✓			
7	RAP-4-2039	Back Angle Adjuster Bar Size 2	1		✓		
7	RAP-4-3039	Back Angle Adjuster Bar Size 3	1			✓	
7	RAP-4-4039	Back Angle Adjuster Bar Size 4	1				✓
8	SI24	Poppers For Back Angle Adjuster Bar	1	✓	✓	✓	✓
9	LAB/1/A-XX	Chest Belt	1	✓	✓	✓	✓
10	LAB/1/E-XX	Hip Belt	1	✓	✓	✓	✓
11	LAB/1/D-XX	Cover Size 1	1	✓			
11	LAB/2/D-XX	Cover Size 2	1		✓		
11	LAB/3/D-XX	Cover Size 3	1			✓	
11	LAB/4/D-XX	Cover Size 4	1				✓
12	LAB/1/B-XX	Abduction Belt Size 1 & 2	1	✓	✓		
12	LAB/2/B-XX	Abduction Belt Size 3 & 4	1			✓	✓
13	LAB/1/C-XX	Head Support All Sizes	1	✓	✓	✓	✓