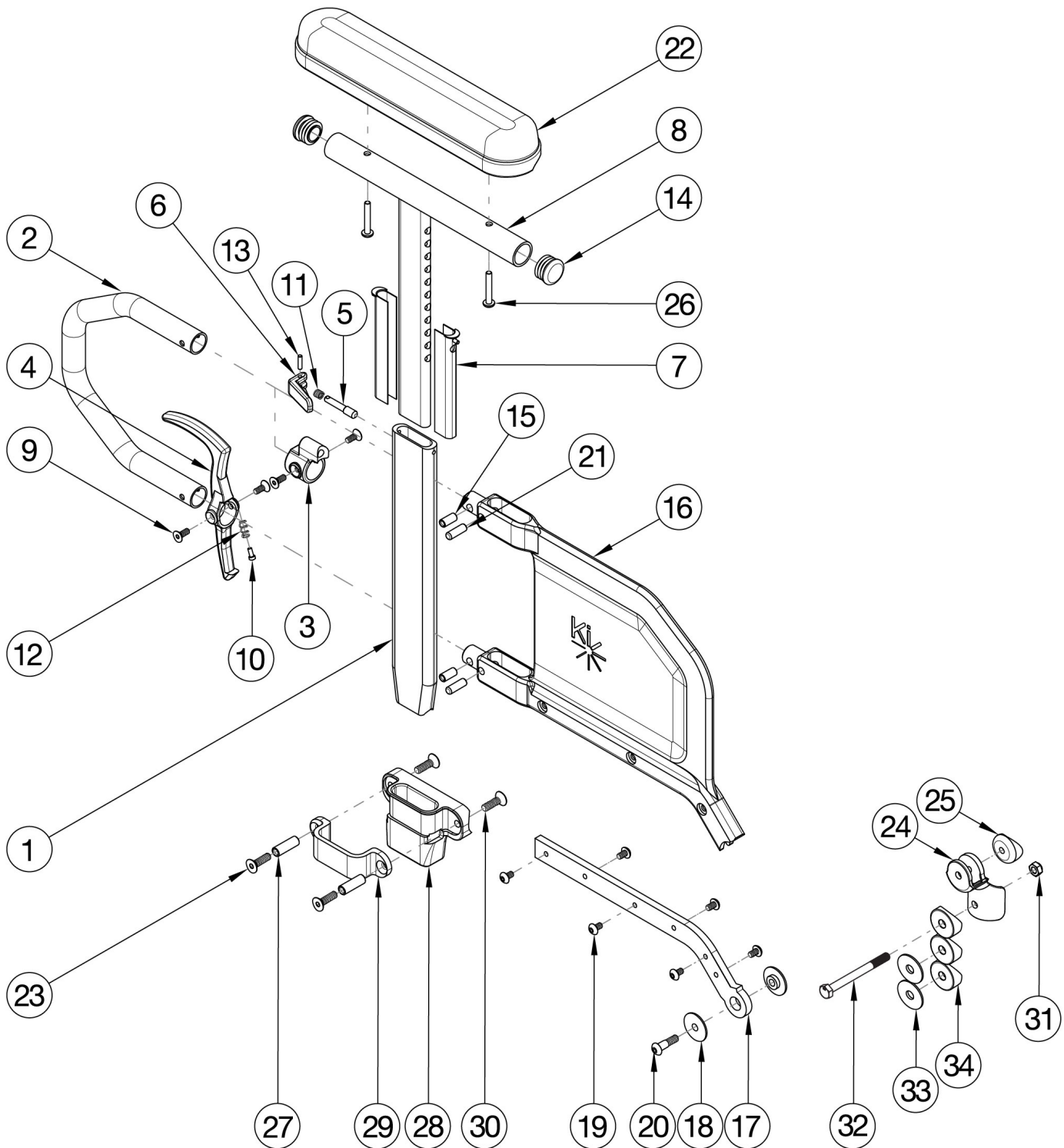


Catalyst 5 Armrests - Tall Height Adjustable Flip Back T-Arm



If retrofitting, Receivers are needed. Short Side Shield used with 14" - 17" Seat Depths. Long Side Shield used with 18" - 20" Seat Depths. If retrofitting to Height Adjustable Flip Back Tall T-Arms and One Arm Drive is present, a new drive shaft may be required. In addition to a new drive shaft, order the corresponding hardware kit: 109438 for Blade Style One Arm Drive, 503433 for Hex Style One Arm Drive or 112898 for Quick Release Style One Arm Drive.

| Item Number | Part Number | Description | Quantity |
|--|-------------|---|----------|
| 1-7, 8a, 9-15, 16a, 17a, 18-21, 22b, 23-32 | 116222 | Height Adjustable Tall Flip Back T-Arm Short Desk with Standard Pad and Receiver Assembly, Catalyst 5 | 1 |
| 1-7, 8b, 9-15, 16a, 17a, 18-21, 22a, 23-32 | 116223 | Height Adjustable Tall Flip Back T-Arm Short Full with Standard Pad and Receiver Assembly, Catalyst 5 | 1 |
| 1-7, 8a, 9-15, 16b, 17b, 18-21, 22b, 23-32 | 116224 | Height Adjustable Tall Flip Back T-Arm Long Desk with Standard Pad and Receiver Assembly, Catalyst 5 | 1 |
| 1-7, 8b, 9-15, 16b, 17b, 18-21, 22a, 23-32 | 116225 | Height Adjustable Tall Flip Back T-Arm Long Full with Standard Pad and Receiver Assembly, Catalyst 5 | 1 |
| 1-7, 8a, 9-15, 16a, 17a, 18-21, 22b, 24-26, 31, 32 | 116218 | Height Adjustable Tall Flip Back T-Arm Short Desk with Standard Pad Assembly, Catalyst 5 | 1 |
| 1-7, 8b, 9-15, 16a, 17a, 18-21, 22a, 24-26, 31, 32 | 116219 | Height Adjustable Tall Flip Back T-Arm Short Full with Standard Pad Assembly, Catalyst 5 | 1 |
| 1-7, 8a, 9-15, 16b, 17b, 18-21, 22b, 24-26, 31, 32 | 116220 | Height Adjustable Tall Flip Back T-Arm Long Desk with Standard Pad Assembly, Catalyst 5 | 1 |
| 1-7, 8b, 9-15, 16b, 17b, 18-21, 22a, 24-26, 31, 32 | 116221 | Height Adjustable Tall Flip Back T-Arm Long Full with Standard Pad Assembly, Catalyst 5 | 1 |
| 1-7, 9-13, 15, 16a, 17a, 19, 21 | 114152 | Height Adjustable Flip Back T-Arm Short Lower Assy, Tall <i>Does not include t-arm upper, arm pad or arm pad screws</i> | 1 |
| 1-7, 9-13, 15, 16b, 17b, 19, 21 | 114153 | Height Adjustable Flip Back T-Arm Long Lower Assy, Tall <i>Does not include t-arm upper, arm pad or arm pad screws</i> | 1 |
| 1-7, 8a, 9-15, 16a, 17a, 19, 21 | 114436 | Height Adjustable Flip Back T-Arm Desk, Short, Tall <i>Does not include arm pad or arm pad screws</i> | 1 |
| 1-7, 8b, 9-15, 16a, 17a, 19, 21 | 114437 | Height Adjustable Flip Back T-Arm Short, Full, Tall <i>Does not include arm pad or arm pad screws</i> | 1 |
| 1-7, 8a, 9-15, 16b, 17b, 19, 21 | 114438 | Height Adjustable Flip Back T-Arm Long, Desk, Tall <i>Does not include arm pad or arm pad screws</i> | 1 |
| 1-7, 8b, 9-15, 16b, 17b, 19, 21 | 114439 | Height Adjustable Flip Back T-Arm Long, Full, Tall <i>Does not include arm pad or arm pad screws</i> | 1 |
| 1-7, 9-13, 15, 16a, 17a, 18-21, 24, 25, 31, 32 | 504567 | Height Adjustable Flip Back T-Arm Short Retrofit Assembly, Catalyst 5 <i>This kit is used to retrofit from a Height Adjustable T-Arm to a Height Adjustable Flip Back T-Arm. This kit is to retrofit one side.</i> | 1 |

| Item Number | Part Number | Description | Quantity |
|--|-------------|--|----------|
| 1-7, 9-13, 15, 16b, 17b, 18-21, 24, 25, 31, 32 | 504568 | Height Adjustable Flip Back T-Arm Long Retrofit Assembly, Catalyst 5 <i>This kit is used to retro fit from a Height Adjustable T-Arm to a Height Adjustable Flip Back T-Arm. This kit is to retrofit one side.</i> | 1 |
| 18, 20, 24, 25 | 112958 | Armrest Flip Back Height Adj T-Arm Hinge Assembly, PAIR, Catalyst 5 <i>This kit is for a pair of hinge assemblies. A pair is required as a replacement as of May 19th, 2021</i> | 1 |
| 31, 32 | 504577 | Height Adjustable Flip Back T-Arm Mounting Hardware Assembly <i>This kit contains various mounting hardware for multiple configurations</i> | 1 |
| 31, 32, 33 | 114401 | Height Adjustable Flip Back T-Arm Mounting Hardware Assembly, Rear Seat Height Range 11.5" - 16" <i>This kit contains various mounting hardware for multiple configurations. Use this kit if the rear seat height is 11.5" - 16".</i> | 1 |
| 3, 5, 6, 9, 11, 13 | 504560 | Height Adjustable Flip Back T-Arm Latch Assembly | 1 |
| 4, 9, 10, 12 | 504561 | Height Adjustable Flip Back T-Arm Release Lever Assembly | 1 |
| 23, 27-30 | 501730 | Height Adj T-Arm Receiver Assm 1" CAT | 1 |
| 1 | 115983 | Height Adjustable Flip Back T-Arm Post Tall | 1 |
| 2 | 113138 | Height Adjustable T-Arm Transfer Tube, Tall | 1 |
| 7 | 000090 | Height Adjustable T Armrest Shim | 2 |
| 8a, 14 | 116379 | Height Adjustable Tall T Armrest Upper Desk w/ Tube End Plug | 1 |
| 8b, 14 | 116380 | Height Adjustable Tall T Armrest Upper Full w/ Tube End Plug | 1 |
| 14 | 100803 | Tube End Plug 7/8" | 2 |
| 15, 16a, 21 | 113143 | Height Adjustable Flip Back T-Arm Short Shield, Tall | 1 |
| 15, 16b, 21 | 113142 | Height Adjustable Flip Back T-Arm Long Side Shield, Tall | 1 |
| 17a, 19 | 504564 | Height Adjustable Flip Back T-Arm Metal Insert Short | 1 |
| 17b, 19 | 504565 | Height Adjustable Flip Back T-Arm Metal Insert Long | 1 |
| 22a | 100500 | Arm Pad Full | 1 |
| 22b | 100501 | Arm Pad Desk | 1 |
| 23 | 100866 | M6 x 20 CLS12.9 DIN7991 FSHCS Blk Zc w/Patch | 2 |
| 26 | 100696 | M5 x 30mm PPH Capscrew | 2 |
| 27 | 000065 | M6 x 23.68 Threaded Barrel | 2 |

| Item Number | Part Number | Description | Quantity |
|-------------|-------------|---|----------|
| 28 | 000087 | Height Adjustable T-Arm Receiver 1" | 1 |
| 29 | 000088 | Height Adjustable T Armrest Bracket | 1 |
| 30 | 100667 | M6 x 12 BTN SHCS BLKZC w/Patch | 2 |
| 33 | 100881 | 1" Washer Plastic <i>Used if Rear Seat Height is 11.5" - 16". Depending on axle plate position, quantity required is either 12, 15 or 18. See Technical Manual for set up.</i> | 18 |