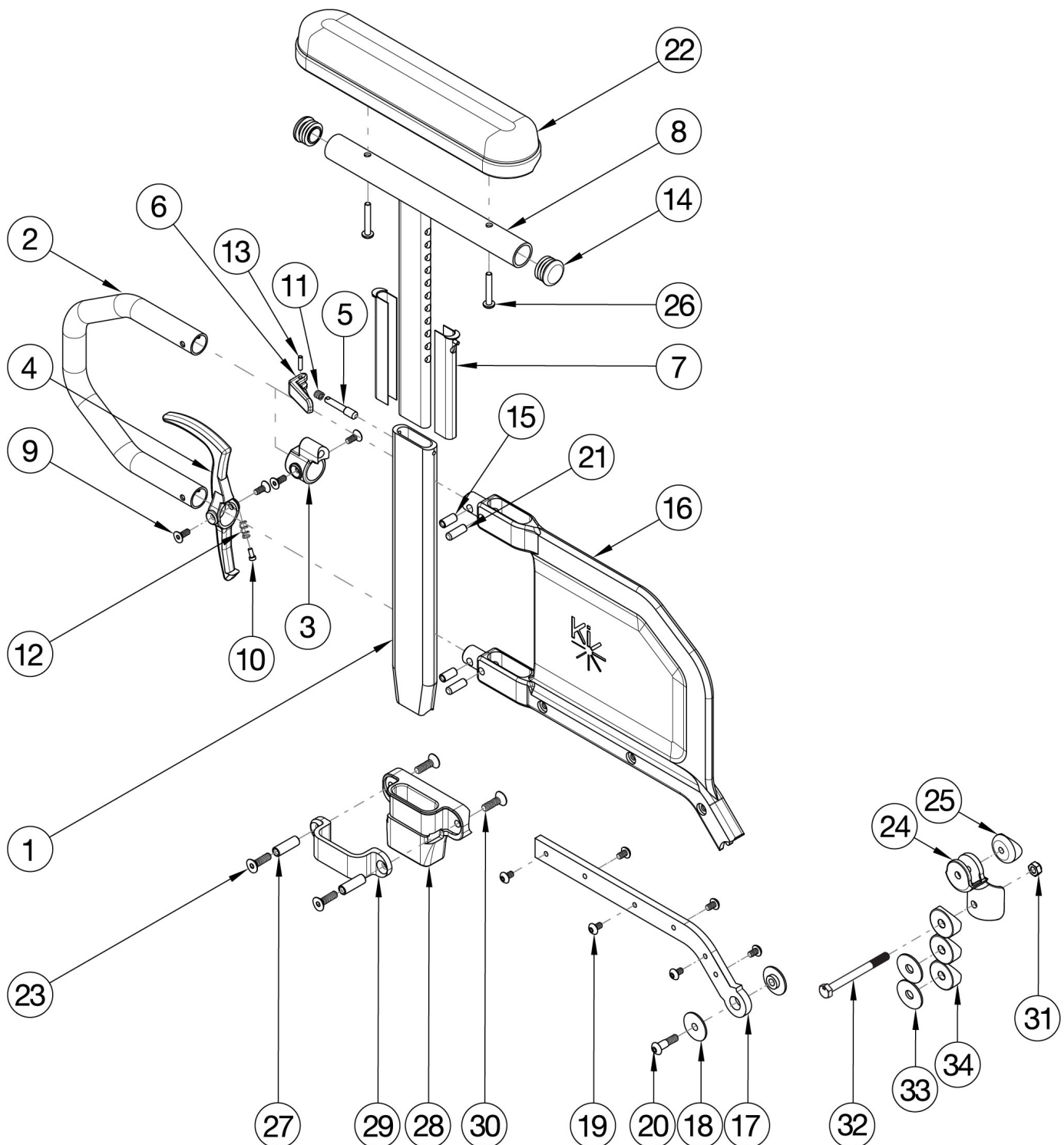


# Catalyst 5 Armrests - Tall Height Adjustable Flip Back T-Arm



*If retrofitting, Receivers are needed. Short Side Shield used with 14" - 17" Seat Depths. Long Side Shield used with 18" - 20" Seat Depths. If retrofitting to Height Adjustable Flip Back Tall T-Arms and One Arm Drive is present, a new drive shaft may be required. In addition to a new drive shaft, order the corresponding hardware kit: 109438 for Blade Style One Arm Drive, 503433 for Hex Style One Arm Drive or 112898 for Quick Release Style One Arm Drive.*

Item Number	Part Number	Description	Quantity
1-7, 8a, 9-15, 16a, 17a, 18-21, 22b, 23-32	116222	Height Adjustable Tall Flip Back T-Arm Short Desk with Standard Pad and Receiver Assembly, Catalyst 5	1
1-7, 8b, 9-15, 16a, 17a, 18-21, 22a, 23-32	116223	Height Adjustable Tall Flip Back T-Arm Short Full with Standard Pad and Receiver Assembly, Catalyst 5	1
1-7, 8a, 9-15, 16b, 17b, 18-21, 22b, 23-32	116224	Height Adjustable Tall Flip Back T-Arm Long Desk with Standard Pad and Receiver Assembly, Catalyst 5	1
1-7, 8b, 9-15, 16b, 17b, 18-21, 22a, 23-32	116225	Height Adjustable Tall Flip Back T-Arm Long Full with Standard Pad and Receiver Assembly, Catalyst 5	1
1-7, 8a, 9-15, 16a, 17a, 18-21, 22b, 24-26, 31, 32	116218	Height Adjustable Tall Flip Back T-Arm Short Desk with Standard Pad Assembly, Catalyst 5	1
1-7, 8b, 9-15, 16a, 17a, 18-21, 22a, 24-26, 31, 32	116219	Height Adjustable Tall Flip Back T-Arm Short Full with Standard Pad Assembly, Catalyst 5	1
1-7, 8a, 9-15, 16b, 17b, 18-21, 22b, 24-26, 31, 32	116220	Height Adjustable Tall Flip Back T-Arm Long Desk with Standard Pad Assembly, Catalyst 5	1
1-7, 8b, 9-15, 16b, 17b, 18-21, 22a, 24-26, 31, 32	116221	Height Adjustable Tall Flip Back T-Arm Long Full with Standard Pad Assembly, Catalyst 5	1
1-7, 9-13, 15, 16a, 17a, 19, 21	114152	Height Adjustable Flip Back T-Arm Short Lower Assy, Tall <i>Does not include t-arm upper, arm pad or arm pad screws</i>	1
1-7, 9-13, 15, 16b, 17b, 19, 21	114153	Height Adjustable Flip Back T-Arm Long Lower Assy, Tall <i>Does not include t-arm upper, arm pad or arm pad screws</i>	1
1-7, 8a, 9-15, 16a, 17a, 19, 21	114436	Height Adjustable Flip Back T-Arm Desk, Short, Tall <i>Does not include arm pad or arm pad screws</i>	1
1-7, 8b, 9-15, 16a, 17a, 19, 21	114437	Height Adjustable Flip Back T-Arm Short, Full, Tall <i>Does not include arm pad or arm pad screws</i>	1
1-7, 8a, 9-15, 16b, 17b, 19, 21	114438	Height Adjustable Flip Back T-Arm Long, Desk, Tall <i>Does not include arm pad or arm pad screws</i>	1
1-7, 8b, 9-15, 16b, 17b, 19, 21	114439	Height Adjustable Flip Back T-Arm Long, Full, Tall <i>Does not include arm pad or arm pad screws</i>	1
1-7, 9-13, 15, 16a, 17a, 18-21, 24, 25, 31, 32	504567	Height Adjustable Flip Back T-Arm Short Retrofit Assembly, Catalyst 5  <i>This kit is used to retrofit from a Height Adjustable T-Arm to a Height Adjustable Flip Back T-Arm. This kit is to retrofit one side.</i>	1

Item Number	Part Number	Description	Quantity
1-7, 9-13, 15, 16b, 17b, 18-21, 24, 25, 31, 32	504568	Height Adjustable Flip Back T-Arm Long Retrofit Assembly, Catalyst 5  <i>This kit is used to retro fit from a Height Adjustable T-Arm to a Height Adjustable Flip Back T-Arm. This kit is to retrofit one side.</i>	1
18, 20, 24, 25	112958	Armrest Flip Back Height Adj T-Arm Hinge Assembly, PAIR, Catalyst 5  <i>This kit is for a pair of hinge assemblies. A pair is required as a replacement as of May 19th, 2021</i>	1
31, 32	504577	Height Adjustable Flip Back T-Arm Mounting Hardware Assembly  <i>This kit contains various mounting hardware for multiple configurations</i>	1
31, 32, 33	114401	Height Adjustable Flip Back T-Arm Mounting Hardware Assembly, Rear Seat Height Range 11.5" - 16"  <i>This kit contains various mounting hardware for multiple configurations. Use this kit if the rear seat height is 11.5" - 16".</i>	1
3, 5, 6, 9, 11, 13	504560	Height Adjustable Flip Back T-Arm Latch Assembly	1
4, 9, 10, 12	504561	Height Adjustable Flip Back T-Arm Release Lever Assembly	1
23, 27-30	501730	Height Adj T-Arm Receiver Assm 1" CAT	1
1	115983	Height Adjustable Flip Back T-Arm Post Tall	1
2	113138	Height Adjustable T-Arm Transfer Tube, Tall	1
7	000090	Height Adjustable T Armrest Shim	2
8a, 14	116379	Height Adjustable Tall T Armrest Upper Desk w/ Tube End Plug	1
8b, 14	116380	Height Adjustable Tall T Armrest Upper Full w/ Tube End Plug	1
14	100803	Tube End Plug 7/8"	2
15, 16a, 21	113143	Height Adjustable Flip Back T-Arm Short Shield, Tall	1
15, 16b, 21	113142	Height Adjustable Flip Back T-Arm Long Side Shield, Tall	1
17a, 19	504564	Height Adjustable Flip Back T-Arm Metal Insert Short	1
17b, 19	504565	Height Adjustable Flip Back T-Arm Metal Insert Long	1
22a	100500	Arm Pad Full	1
22b	100501	Arm Pad Desk	1
23	100866	M6 x 20 CLS12.9 DIN7991 FSHCS Blk Zc w/Patch	2
26	100696	M5 x 30mm PPH Capscrew	2
27	000065	M6 x 23.68 Threaded Barrel	2

Item Number	Part Number	Description	Quantity
28	000087	Height Adjustable T-Arm Receiver 1"	1
29	000088	Height Adjustable T Armrest Bracket	1
30	100667	M6 x 12 BTN SHCS BLKZC w/Patch	2
33	100881	1" Washer Plastic <i>Used if Rear Seat Height is 11.5" - 16". Depending on axle plate position, quantity required is either 12, 15 or 18. See Technical Manual for set up.</i>	18