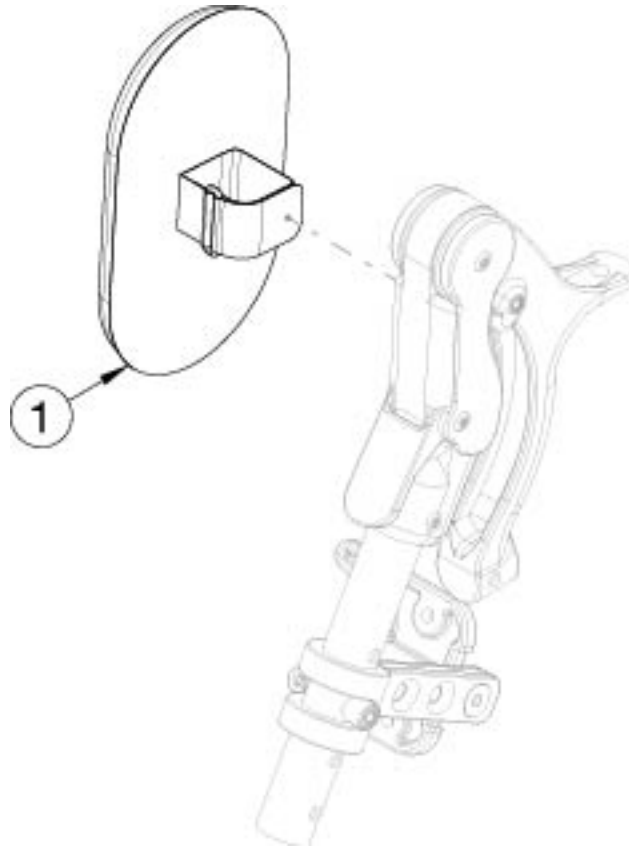


# Standard ELR Foam Knee Pad

---



| Item Number | Part Number | Description                | Quantity |
|-------------|-------------|----------------------------|----------|
| 1           | 122781      | Standard ELR Foam Knee Pad | 2        |