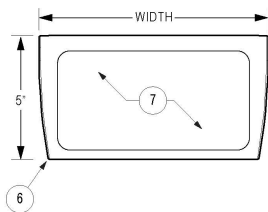
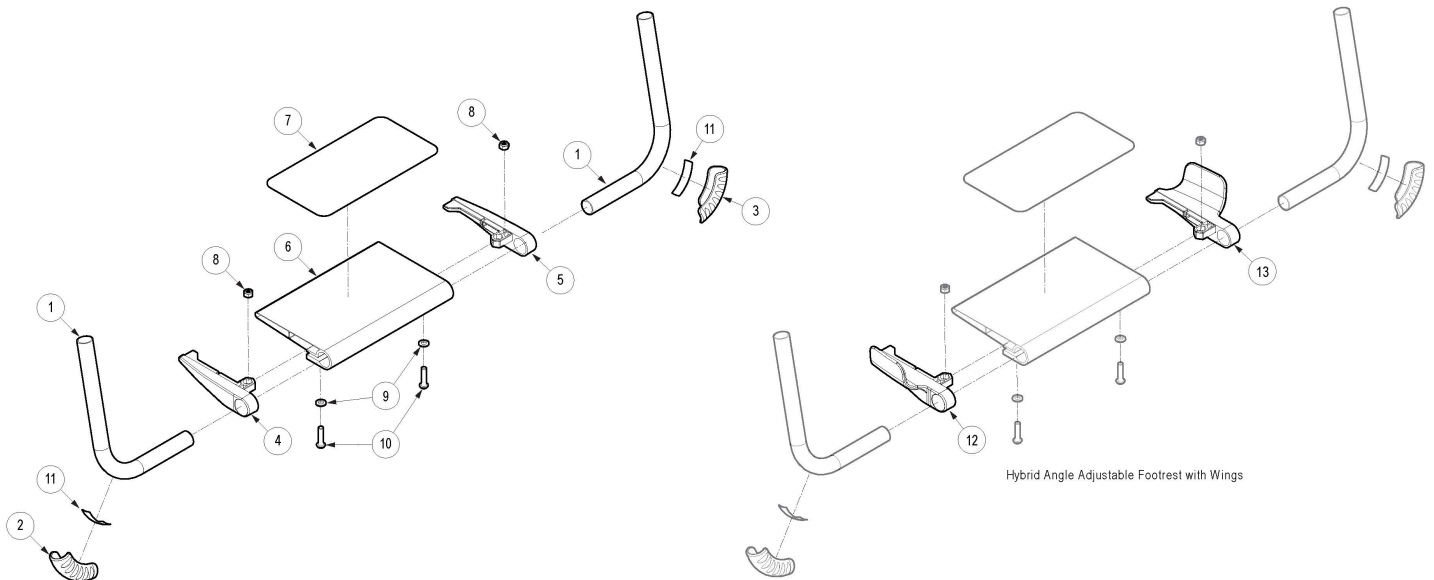


Ethos Hybrid Angle Adjustable Footrest



FOOTPLATE LENGTH PART NUMBER	
HYBRID & HYBRID WITH WINGS	
PART NO.	WIDTH
004469	4"
004470	5"
004471	6"
004472	7"
004473	8"
004474	9"
004475	10"
004476	11"
004477	12"
004478	13"
004479	14"

		FOOTPLATE TAPER PART NUMBER							
		HYBRID				HYBRID WITH WINGS			
SEAT WIDTH		0" TAPER	1" TAPER	2" TAPER	V TAPER	0" TAPER	1" TAPER	2" TAPER	V TAPER
12		004471	004469	N/A	N/A	004470	004469	N/A	N/A
13		004472	004470	N/A	004469	004471	004469	N/A	004469
14		004473	004471	N/A	004469	004472	004470	N/A	004469
15		004474	004472	N/A	004470	004473	004471	N/A	004469
16		004475	004473	004471	004471	004474	004472	004470	004470
17		004476	004474	004472	004472	004475	004473	004471	004471
18		004477	004475	004473	004473	004476	004474	004472	004472
19		004478	004476	004474	004474	004477	004475	004473	004473
20		004479	004477	004475	004475	004478	004476	004474	004474

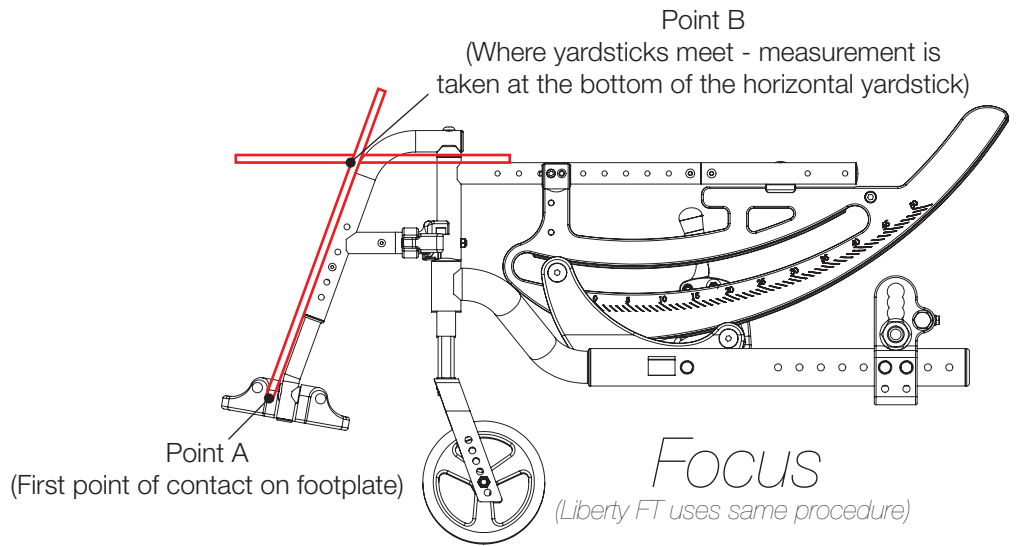
Use Short Footrest if 0" taper or V taper and footrest length is 9" - 10.5" or if 1" or 2" taper and footrest length is 9" - 15.5" (unless otherwise noted) See Ethos Seat Frame page for hardware to attach footrest tubes to chair.

Item Number	Part Number	Description	Quantity
2, 11	501740	Footrest Protector w/ Instructions Kit Right Rigid	1
3, 11	501739	Footrest Protector w/ Instructions Kit Left Rigid	1
2, 3, 11	501741	Footrest Protector w/ Instructions Kit PAIR Rigid	1
1a	003964	Footrest Tube Angle Adjustable 4.65" Rigid <i>Used on 12" - 13" wide with 1" taper no matter what the footrest length</i>	2
1b	000221	Footrest Tube Angle Adjustable 5.6" Rigid <i>Used on 12" - 20" wide with 0" taper, 14" - 20" wide with 1" taper and 16" - 20" with 2" taper</i>	2
1c	004375	Footrest Tube Angle Adjustable, Short, 5.65" Rigid <i>Used on 12" - 20" with 0" taper, 14" - 20" with 1" taper and 16" - 20" with 2" taper</i>	2
1d	004118	V7 Front Footrest Tube Standard	2

Item Number	Part Number	Description	Quantity
		<i>Used on 13" - 20" wide with V taper</i>	
1e	004373	V7 Front Footrest Tube, Short <i>Used on 13" - 20" wide with V taper</i>	2
4	003949	Footrest Cap Right	1
5	003950	Footrest Cap Left	1
6a, 7a	004469	Hybrid Angle Adjustable Footplate 4" with Grip	1
6b, 7a	004470	Hybrid Angle Adjustable Footplate 5" with Grip	1
6c, 7b	004471	Hybrid Angle Adjustable Footplate 6" with Grip	1
6d, 7b	004472	Hybrid Angle Adjustable Footplate 7" with Grip	1
6e, 7c	004473	Hybrid Angle Adjustable Footplate 8" with Grip	1
6f, 7c	004474	Hybrid Angle Adjustable Footplate 9" with Grip	1
6g, 7d	004475	Hybrid Angle Adjustable Footplate 10" with Grip	1
6h, 7d	004476	Hybrid Angle Adjustable Footplate 11" with Grip	1
6i, 7e	004477	Hybrid Angle Adjustable Footplate 12" with Grip	1
6j, 7e	004478	Hybrid Angle Adjustable Footplate 13" with Grip	1
6k, 7e	004479	Hybrid Angle Adjustable Footplate 14" with Grip	1
8	100658	M6 Nylock Nut Blk Zn	2
9	100746	M6 Flat Washer Blk Zn	2
10	101593	M6 x 25 BTN SHCS BLKZC	2
12	003951	Footrest Cap Right with Wing	1
13	003952	Footrest Cap Left with Wing	1

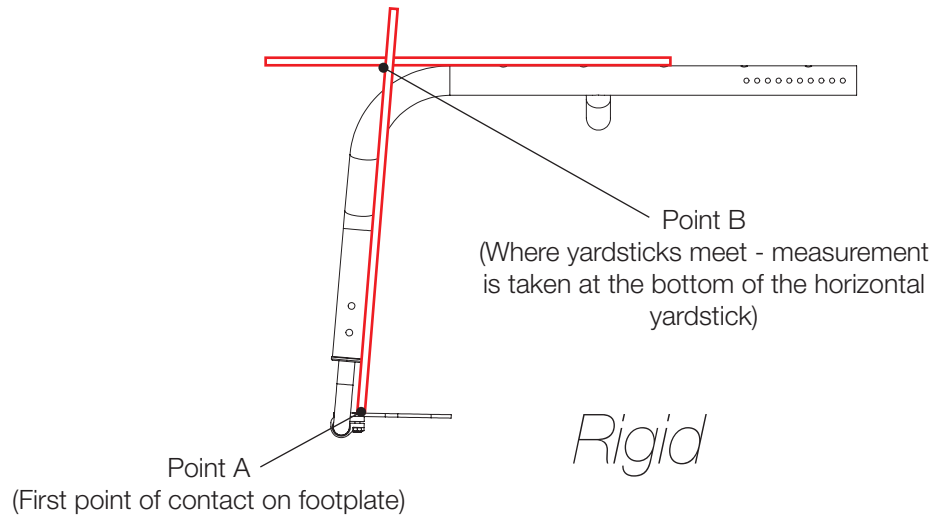
Distance between Point A and Point B = Footplate Length

NOTE: The yardstick on the top plane of the seat frame must lie flat against frame. The yardstick going from the footplate to the second yardstick must be square against the hanger tube.



Distance between Point A and Point B = Footplate Length

NOTE: The yardstick on the top plane of the seat frame must lie flat against frame. The yardstick going from the footplate to the second yardstick must be square against the front tube.



Distance between Point A and Point B = Footplate Length

NOTE: The yardstick on the top plane of the hanger must lie flat against hanger. The yardstick going from the footplate to the second yardstick must be square against the hanger tube.

