



Phone (800) 981-1540 | Fax (715) 254-0996
 sales@kimobility.com | www.kimobility.com

Company: _____

Ship To: _____

Account Number: _____ Date: _____

Address: _____

Quote PO Number: _____

City: _____ State: _____

RTS: _____

Zip: _____ Phone: _____

Marked For: _____

Email/Fax: _____

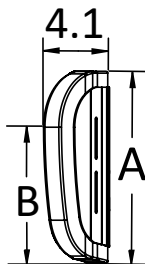
Effective 07/18/2022

Axiom Back

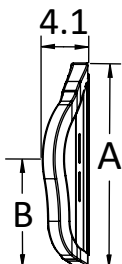
Select back that is the same or up to 2" narrower than the width of the frame. Hardware is included with back. Low Back selections are not available with headrests, modifications, or posture supports. Weight capacity: 300 lbs.

Axiom Posterior Back (PB)

| | | Width | | | | | | |
|--------|-----|-------|-----------------------------------|-----------------------------------|-----------------------------------|-----------------------------------|-----------------------------------|-----------------------------------|
| | | 12" | 14" | 16" | 18" | 20" | 22" | |
| Retail | | \$574 | \$574 | \$574 | \$574 | \$574 | \$815 | |
| HCPC | | E2613 | E2613 | E2613 | E2613 | E2613 | E2614 | |
| Height | Low | 8" | <input type="checkbox"/> AXPB1208 | <input type="checkbox"/> AXPB1408 | <input type="checkbox"/> AXPB1608 | <input type="checkbox"/> AXPB1808 | <input type="checkbox"/> AXPB2008 | |
| | | 10" | | <input type="checkbox"/> AXPB1410 | <input type="checkbox"/> AXPB1610 | <input type="checkbox"/> AXPB1810 | <input type="checkbox"/> AXPB2010 | <input type="checkbox"/> AXPB2210 |
| | | 12" | <input type="checkbox"/> AXPB1212 | <input type="checkbox"/> AXPB1412 | <input type="checkbox"/> AXPB1612 | <input type="checkbox"/> AXPB1812 | <input type="checkbox"/> AXPB2012 | |
| | Mid | 14" | | <input type="checkbox"/> AXPB1414 | <input type="checkbox"/> AXPB1614 | <input type="checkbox"/> AXPB1814 | <input type="checkbox"/> AXPB2014 | <input type="checkbox"/> AXPB2214 |
| | | 16" | <input type="checkbox"/> AXPB1216 | <input type="checkbox"/> AXPB1416 | <input type="checkbox"/> AXPB1616 | <input type="checkbox"/> AXPB1816 | <input type="checkbox"/> AXPB2016 | |
| | | 18" | | <input type="checkbox"/> AXPB1418 | <input type="checkbox"/> AXPB1618 | <input type="checkbox"/> AXPB1818 | <input type="checkbox"/> AXPB2018 | <input type="checkbox"/> AXPB2218 |



Axiom Posterior Back - Low



Axiom Posterior Back - Mid

| Axiom Posterior Back Measurement Reference | | | | | |
|--|-----|-------------|-----|-------|---------------------|
| | | Back Height | A | B | Shell Contour Depth |
| Height | Low | 8" | 10" | 6.5" | 2.25" |
| | | 10" | 12" | 8.5" | |
| | | 12" | 14" | 10.5" | |
| | Mid | 14" | 16" | 8.5" | |
| | | 16" | 18" | 9.5" | |
| | | 18" | 20" | 10.5" | |

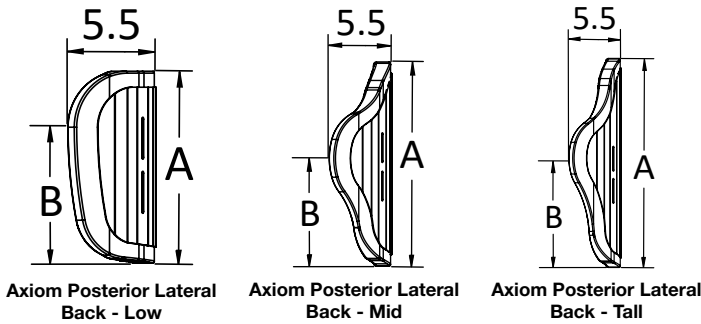
HCPCS codes provided are based on code verification by the PDAC or our interpretation of the code definitions.

Proper use of HCPCS codes does not ensure coverage or payment. For coverage information, verify the appropriate payer's coverage policy.

Axiom Back continued

Axiom Posterior Lateral Back (PL)

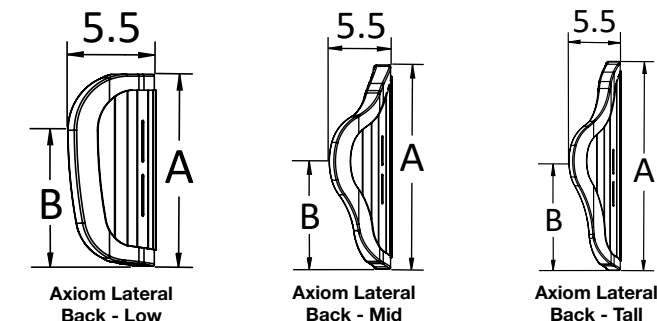
| | | Width | | | | | | |
|--------|------|-------|-----------------------------------|-----------------------------------|-----------------------------------|-----------------------------------|-----------------------------------|-----------------------------------|
| | | 12" | 14" | 16" | 18" | 20" | 22" | |
| Retail | | \$656 | \$656 | \$656 | \$656 | \$656 | \$892 | |
| HCPC | | E2615 | E2615 | E2615 | E2615 | E2615 | E2616 | |
| Height | Low | 8" | <input type="checkbox"/> AXPL1208 | <input type="checkbox"/> AXPL1408 | <input type="checkbox"/> AXPL1608 | <input type="checkbox"/> AXPL1808 | <input type="checkbox"/> AXPL2008 | |
| | | 10" | | <input type="checkbox"/> AXPL1410 | <input type="checkbox"/> AXPL1610 | <input type="checkbox"/> AXPL1810 | <input type="checkbox"/> AXPL2010 | <input type="checkbox"/> AXPL2210 |
| | | 12" | <input type="checkbox"/> AXPL1212 | <input type="checkbox"/> AXPL1412 | <input type="checkbox"/> AXPL1612 | <input type="checkbox"/> AXPL1812 | <input type="checkbox"/> AXPL2012 | |
| | Mid | 14" | | <input type="checkbox"/> AXPL1414 | <input type="checkbox"/> AXPL1614 | <input type="checkbox"/> AXPL1814 | <input type="checkbox"/> AXPL2014 | <input type="checkbox"/> AXPL2214 |
| | | 16" | <input type="checkbox"/> AXPL1216 | <input type="checkbox"/> AXPL1416 | <input type="checkbox"/> AXPL1616 | <input type="checkbox"/> AXPL1816 | <input type="checkbox"/> AXPL2016 | |
| | | 18" | | <input type="checkbox"/> AXPL1418 | <input type="checkbox"/> AXPL1618 | <input type="checkbox"/> AXPL1818 | <input type="checkbox"/> AXPL2018 | <input type="checkbox"/> AXPL2218 |
| | Tall | 20" | <input type="checkbox"/> AXPL1220 | <input type="checkbox"/> AXPL1420 | <input type="checkbox"/> AXPL1620 | <input type="checkbox"/> AXPL1820 | <input type="checkbox"/> AXPL2020 | |
| | | 22" | | <input type="checkbox"/> AXPL1422 | <input type="checkbox"/> AXPL1622 | <input type="checkbox"/> AXPL1822 | <input type="checkbox"/> AXPL2022 | <input type="checkbox"/> AXPL2222 |



| Axiom Posterior Lateral Back Measurement Reference | | | | | |
|--|------|-------------|-----|-------|---------------------|
| | | Back Height | A | B | Shell Contour Depth |
| Height | Low | 8" | 10" | 6.5" | 3.65" |
| | | 10" | 12" | 8.5" | |
| | | 12" | 14" | 10.5" | |
| | Mid | 14" | 16" | 8.5" | |
| | | 16" | 18" | 9.5" | |
| | | 18" | 20" | 10.5" | |
| | Tall | 20" | 22" | 11.5" | |
| | | 22" | 24" | 12.5" | |

Axiom Lateral Back (LB)

| | | Width | | | | | | |
|--------|------|-------|-----------------------------------|-----------------------------------|-----------------------------------|-----------------------------------|-----------------------------------|-----------------------------------|
| | | 12" | 14" | 16" | 18" | 20" | 22" | |
| Retail | | \$759 | \$759 | \$759 | \$759 | \$759 | \$841 | |
| HCPC | | E2620 | E2620 | E2620 | E2620 | E2620 | E2621 | |
| Height | Low | 8" | <input type="checkbox"/> AXLB1208 | <input type="checkbox"/> AXLB1408 | <input type="checkbox"/> AXLB1608 | <input type="checkbox"/> AXLB1808 | <input type="checkbox"/> AXLB2008 | |
| | | 10" | | <input type="checkbox"/> AXLB1410 | <input type="checkbox"/> AXLB1610 | <input type="checkbox"/> AXLB1810 | <input type="checkbox"/> AXLB2010 | <input type="checkbox"/> AXLB2210 |
| | | 12" | <input type="checkbox"/> AXLB1212 | <input type="checkbox"/> AXLB1412 | <input type="checkbox"/> AXLB1612 | <input type="checkbox"/> AXLB1812 | <input type="checkbox"/> AXLB2012 | |
| | Mid | 14" | | <input type="checkbox"/> AXLB1414 | <input type="checkbox"/> AXLB1614 | <input type="checkbox"/> AXLB1814 | <input type="checkbox"/> AXLB2014 | <input type="checkbox"/> AXLB2214 |
| | | 16" | <input type="checkbox"/> AXLB1216 | <input type="checkbox"/> AXLB1416 | <input type="checkbox"/> AXLB1616 | <input type="checkbox"/> AXLB1816 | <input type="checkbox"/> AXLB2016 | |
| | | 18" | | <input type="checkbox"/> AXLB1418 | <input type="checkbox"/> AXLB1618 | <input type="checkbox"/> AXLB1818 | <input type="checkbox"/> AXLB2018 | <input type="checkbox"/> AXLB2218 |
| | Tall | 20" | <input type="checkbox"/> AXLB1220 | <input type="checkbox"/> AXLB1420 | <input type="checkbox"/> AXLB1620 | <input type="checkbox"/> AXLB1820 | <input type="checkbox"/> AXLB2020 | |
| | | 22" | | <input type="checkbox"/> AXLB1422 | <input type="checkbox"/> AXLB1622 | <input type="checkbox"/> AXLB1822 | <input type="checkbox"/> AXLB2022 | <input type="checkbox"/> AXLB2222 |

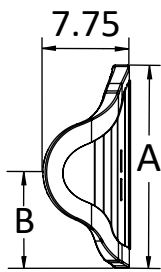


| Axiom Lateral Back Measurement Reference | | | | | |
|--|------|-------------|-----|-------|---------------------|
| | | Back Height | A | B | Shell Contour Depth |
| Height | Low | 8" | 10" | 6.5" | 3.65" |
| | | 10" | 12" | 8.5" | |
| | | 12" | 14" | 10.5" | |
| | Mid | 14" | 16" | 8.5" | |
| | | 16" | 18" | 9.5" | |
| | | 18" | 20" | 10.5" | |
| | Tall | 20" | 22" | 11.5" | |
| | | 22" | 24" | 12.5" | |

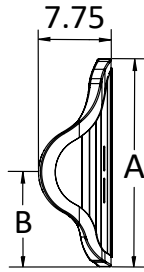
Axiom Back continued

Axiom Deep Lateral Back (DL)

| | | Width | | | | | | |
|--------|------|-------|-----------------------------------|-----------------------------------|-----------------------------------|-----------------------------------|-----------------------------------|-----------------------------------|
| | | 12" | 14" | 16" | 18" | 20" | 22" | |
| Retail | | \$759 | \$759 | \$759 | \$759 | \$759 | \$841 | |
| HCPC | | E2620 | E2620 | E2620 | E2620 | E2620 | E2621 | |
| Height | Mid | 14" | <input type="checkbox"/> AXDL1214 | <input type="checkbox"/> AXDL1414 | <input type="checkbox"/> AXDL1614 | <input type="checkbox"/> AXDL1814 | <input type="checkbox"/> AXDL2014 | <input type="checkbox"/> AXDL2214 |
| | | 16" | | <input type="checkbox"/> AXDL1416 | <input type="checkbox"/> AXDL1616 | <input type="checkbox"/> AXDL1816 | <input type="checkbox"/> AXDL2016 | |
| | | 18" | <input type="checkbox"/> AXDL1218 | <input type="checkbox"/> AXDL1418 | <input type="checkbox"/> AXDL1618 | <input type="checkbox"/> AXDL1818 | <input type="checkbox"/> AXDL2018 | <input type="checkbox"/> AXDL2218 |
| | Tall | 20" | <input type="checkbox"/> AXDL1220 | <input type="checkbox"/> AXDL1420 | <input type="checkbox"/> AXDL1620 | <input type="checkbox"/> AXDL1820 | <input type="checkbox"/> AXDL2020 | |
| | | 22" | | <input type="checkbox"/> AXDL1422 | <input type="checkbox"/> AXDL1622 | <input type="checkbox"/> AXDL1822 | <input type="checkbox"/> AXDL2022 | <input type="checkbox"/> AXDL2222 |



Axiom Deep Lateral Back - Mid



Axiom Deep Lateral Back - Tall

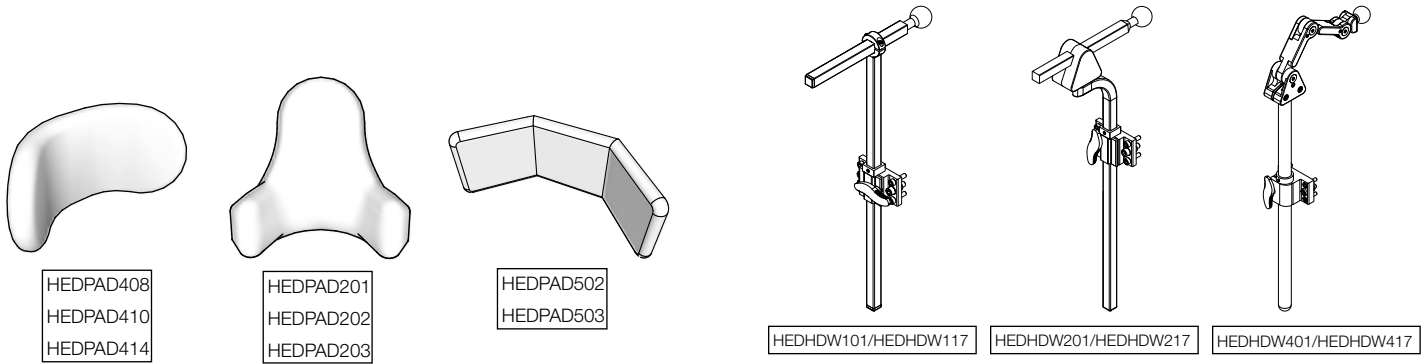
| | | Axiom Deep Lateral Back Measurement Reference | | | | | | | Shell Contour Depth | |
|--------|------|---|-----|----------------|--------|--------|--------|--------|---------------------|----|
| | | Back Height | A | B ¹ | | | | | | |
| Height | Mid | 14" | 16" | 8.25" | 8.25" | 8.25" | 8.25" | 8.25" | 8.25" | 6" |
| | | 16" | 18" | 9.25" | 9.25" | 9.25" | 9.25" | 9.25" | 9.25" | |
| | | 18" | 20" | 10.25" | 10.25" | 10.25" | 10.25" | 10.25" | 10.25" | |
| | Tall | 20" | 22" | 9.5" | 9.75" | 10" | 10.25" | 10.25" | 10.5" | |
| | | 22" | 24" | 10.75" | 11" | 11.25" | 11.5" | 11.5" | 11.75" | |

¹ Measurement based on back width

Axiom Back Accessories

Headrest and Hardware

Choose headrest and hardware combination in chart below. Not available with Low Backs.



| | | | | Hardware | | | | | |
|--------------|---|------------------|----------------|---|--------|---|--------|---------------------------------|--------|
| | | | | Standard Straight Back Mount Hardware with Ball | | Multi Axis Removable Hardware with Horizontal Bar | | Headrest Hardware with Ball | |
| | | | | HEDHDW101 / HEDHDW117 | | HEDHDW201 / HEDHDW217 | | HEDHDW401 / HEDHDW417 | |
| | Description | Item Code | HCPC | Kio Code | Retail | Kio Code | Retail | Kio Code | Retail |
| Headrest Pad | Comfort Plus Headrest 8" | HEDPAD408 | E0955 E1028 | <input type="checkbox"/> HDR001 | \$284 | <input type="checkbox"/> HDR009 | \$321 | <input type="checkbox"/> HDR017 | \$398 |
| | Comfort Plus Headrest 10" | HEDPAD410 | E0955 E1028 | <input type="checkbox"/> HDR002 | \$284 | <input type="checkbox"/> HDR010 | \$321 | <input type="checkbox"/> HDR018 | \$398 |
| | Comfort Plus Headrest 14" | HEDPAD414 | E0955 E1028 | <input type="checkbox"/> HDR003 | \$284 | <input type="checkbox"/> HDR011 | \$321 | <input type="checkbox"/> HDR019 | \$398 |
| | Small All Positioning Headrest Pad and Ring Only | HEDPAD201 | E0955 E1028 | <input type="checkbox"/> HDR004 | \$284 | <input type="checkbox"/> HDR012 | \$321 | <input type="checkbox"/> HDR020 | \$398 |
| | Medium All Positioning Headrest Pad and Ring Only | HEDPAD202 | E0955 E1028 | <input type="checkbox"/> HDR005 | \$284 | <input type="checkbox"/> HDR013 | \$321 | <input type="checkbox"/> HDR021 | \$398 |
| | Large All Positioning Headrest Pad and Ring Only | HEDPAD203 | E0955 E1028 | <input type="checkbox"/> HDR006 | \$284 | <input type="checkbox"/> HDR014 | \$321 | <input type="checkbox"/> HDR022 | \$398 |
| | Tri-Comfort Plus Headrest 14" | HEDPAD502 | E0955 E1028 | <input type="checkbox"/> HDR007 | \$296 | <input type="checkbox"/> HDR015 | \$333 | <input type="checkbox"/> HDR023 | \$409 |
| | Tri-Comfort Plus Headrest 19" | HEDPAD503 | E0955 E1028 | <input type="checkbox"/> HDR008 | \$296 | <input type="checkbox"/> HDR016 | \$333 | <input type="checkbox"/> HDR024 | \$409 |

Headrest Hardware Options

| | Description | Item Code | HCPC | Retail (Each) |
|--------------------------|--|-----------|-------|---------------|
| <input type="checkbox"/> | Headrest Flip Down Mount <i>Only Available with HEDHDW401/HEDHDW417</i> | HDR100 | E1028 | \$175 |
| <input type="checkbox"/> | Universal Mounting Plate <i>For use with other manufacturer headrests</i> | UMP | K0108 | \$41 |

Axiom Back Accessories continued

Lateral Support

| Laterals for Posterior Back | | | | | Item Code | HCPC | Pair | Each |
|-----------------------------|--------------------------|--------------------------|---|--------|--------------|-------|-------|------|
| Pair | Left | Right | Description | | | | | |
| <input type="checkbox"/> | <input type="checkbox"/> | <input type="checkbox"/> | 3 x 4 Lateral Pads with Fixed Mounting Hardware for Axiom Posterior Back | LF3x4P | E0956 | \$313 | \$157 | |
| <input type="checkbox"/> | <input type="checkbox"/> | <input type="checkbox"/> | 4 x 5 Lateral Pads with Fixed Mounting Hardware for Axiom Posterior Back | LF4x5P | E0956 | \$313 | \$157 | |
| <input type="checkbox"/> | <input type="checkbox"/> | <input type="checkbox"/> | 3 x 4 Lateral Pads with Swing Away Mounting Hardware for Axiom Posterior Back | LS3x4P | E0956, E1028 | \$667 | \$334 | |
| <input type="checkbox"/> | <input type="checkbox"/> | <input type="checkbox"/> | 4 x 5 Lateral Pads with Swing Away Mounting Hardware for Axiom Posterior Back | LS4x5P | E0956, E1028 | \$667 | \$334 | |

Laterals for Posterior Lateral Back

| Pair | Left | Right | Description | Item Code | HCPC | Pair | Each |
|--------------------------|--------------------------|--------------------------|---|-----------|--------------|-------|-------|
| <input type="checkbox"/> | <input type="checkbox"/> | <input type="checkbox"/> | 3 x 4 Lateral Pads with Fixed Mounting Hardware for Axiom Posterior Lateral Back | LF3x4L | E0956 | \$313 | \$157 |
| <input type="checkbox"/> | <input type="checkbox"/> | <input type="checkbox"/> | 4 x 5 Lateral Pads with Fixed Mounting Hardware for Axiom Posterior Lateral Back | LF4x5L | E0956 | \$313 | \$157 |
| <input type="checkbox"/> | <input type="checkbox"/> | <input type="checkbox"/> | 3 x 4 Lateral Pads with Swing Away Mounting Hardware for Axiom Posterior Lateral Back | LS3x4L | E0956, E1028 | \$667 | \$334 |
| <input type="checkbox"/> | <input type="checkbox"/> | <input type="checkbox"/> | 4 x 5 Lateral Pads with Swing Away Mounting Hardware for Axiom Posterior Lateral Back | LS4x5L | E0956, E1028 | \$667 | \$334 |

Axiom Lateral Support Modifications

Extended lead times will apply. Modified Lateral Supports are not eligible for refund.

| Description | Item Code | HCPC | Retail |
|--|-----------|-------|--------|
| <input type="checkbox"/> Modification for Chest Strap attached to Lateral Supports | AXMLATMT | K0108 | N/C |

Lumbar Pads

Available only with Axiom Lateral Back and Axiom Deep Lateral back

| Description | HCPC | Retail |
|-------------------------------------|-------|--------|
| <input type="checkbox"/> Lumbar Pad | K0108 | \$50 |

Privacy Flap

| Description | HCPC | Retail |
|---------------------------------------|-------|--------|
| <input type="checkbox"/> Privacy Flap | K0108 | \$47 |

Shoulder Guides

| Description | Item Code | HCPC | Retail |
|--|-----------|-------|--------|
| <input type="checkbox"/> Shoulder Strap Guides and Mount <i>Selection of a modification from the Axiom Back Modifications required in order to mount Shoulder Guides. Not available with Low Backs.</i> | AXBSG | K0108 | \$77 |

Axiom Back Accessories continued

Posture Support

Selection of a modification from the Axiom Back Modifications section required in order to mount posture supports. Not available with Low Backs.

| | Description | Item Code | HCP | Retail |
|--------------------------|--|-------------|-------|----------|
| <input type="checkbox"/> | Dynaform Chest Support: 2-Piece with Hook & Loop, 3" High Pad, Small | ATRP2P14941 | E0960 | \$121 |
| <input type="checkbox"/> | Dynaform Chest Support: 2-Piece with Hook & Loop, 4" High Pad, Medium | ATRP2P14942 | E0960 | \$121 |
| <input type="checkbox"/> | Dynaform Chest Support: 2-Piece with Hook & Loop, 5" High Pad, Large | ATRP2P14943 | E0960 | \$121 |
| <input type="checkbox"/> | Dynaform Chest Support: 1-Piece with Buckle, 3" Height x 18" Width, Small | ATRD2P14924 | E0960 | \$100 |
| <input type="checkbox"/> | Dynaform Chest Support: 1-Piece with Buckle, 4" Height x 20" Width, Medium | ATRD2P14927 | E0960 | \$100 |
| <input type="checkbox"/> | Dynaform Chest Support: 1-Piece with Buckle, 4" Height x 22" Width, Large | ATRD2P14928 | E0960 | \$100 |
| <input type="checkbox"/> | AirLogic Anterior Trunk Support: Standard, Structure, Small | ATRP4P14282 | E0960 | \$164.17 |
| <input type="checkbox"/> | AirLogic Anterior Trunk Support: Standard, Structure, Medium | ATRP4P14283 | E0960 | \$164.17 |
| <input type="checkbox"/> | AirLogic Anterior Trunk Support: Standard, Structure, Large | ATRP4P14284 | E0960 | \$164.17 |
| <input type="checkbox"/> | AirLogic Anterior Trunk Support: Standard, Structure, X-Large | ATRP4P14285 | E0960 | \$164.17 |
| <input type="checkbox"/> | AirLogic Anterior Trunk Support: Slim Cut, Dynamic, Small | ATRD4P14257 | E0960 | \$164.17 |
| <input type="checkbox"/> | AirLogic Anterior Trunk Support: Slim Cut, Dynamic, Medium | ATRD4P14258 | E0960 | \$164.17 |
| <input type="checkbox"/> | AirLogic Anterior Trunk Support: Slim Cut, Dynamic, Large | ATRD4P14259 | E0960 | \$164.17 |
| <input type="checkbox"/> | AirLogic Anterior Trunk Support: Slim Cut, Dynamic, X-Large | ATRD4P14260 | E0960 | \$164.17 |

Axiom Back Modifications

Extended lead times will apply for all modifications. Makes back non-refundable.

Axiom Back Modifications

Choose modification to add holes to the back shell in order to mount posture supports. Not available with Low Backs.

| | Description | Item Code | HCP | Retail |
|--------------------------|--------------------------------------|-----------|-------|--------|
| <input type="checkbox"/> | Modification for 4 Point Harness | AXM4PT | K0108 | N/C |
| <input type="checkbox"/> | Modification for 2 Point Chest Strap | AXM2PT | K0108 | N/C |
| <input type="checkbox"/> | Modification for Shoulder Guides | AXMSG | K0108 | N/C |

Painted Back Shell Modification

If no selection is made, standard Shadow Black will be used with no additional lead time

| | Gloss Finish | Item Code | Retail |
|--------------------------|-----------------|-----------|--------|
| <input type="checkbox"/> | Black | AXMBLK | N/C |
| <input type="checkbox"/> | Blue Skies | AXMSKY | N/C |
| <input type="checkbox"/> | Bubblegum Pink | AXMPNK | N/C |
| <input type="checkbox"/> | Candy Blue | AXMCBL | N/C |
| <input type="checkbox"/> | Candy Purple | AXMPUR | N/C |
| <input type="checkbox"/> | Candy Red | AXMRED | N/C |
| <input type="checkbox"/> | Copper | AXMCOP | N/C |
| <input type="checkbox"/> | Granny Smith | AXMGSM | N/C |
| <input type="checkbox"/> | Metallic Orange | AXMMOR | N/C |
| <input type="checkbox"/> | Silver | AXMSIL | N/C |
| <input type="checkbox"/> | Teal | AXMTEA | N/C |
| <input type="checkbox"/> | Yellow | AXMYLW | N/C |

| | Matte Finish | Item Code | Retail |
|--------------------------|---------------------|-----------|--------|
| <input type="checkbox"/> | Charcoal Gray | AXMCGM | N/C |
| <input type="checkbox"/> | Emerald Green | AXMEGM | N/C |
| <input type="checkbox"/> | Iridescent Burgundy | AXMIBM | N/C |
| <input type="checkbox"/> | Iridescent Navy | AXMINM | N/C |
| <input type="checkbox"/> | Military Green | AXMAGM | N/C |
| <input type="checkbox"/> | Retro Red | AXMRRM | N/C |
| <input type="checkbox"/> | Royal Blue | AXMRBM | N/C |
| <input type="checkbox"/> | Smooth White | AXMSWM | N/C |