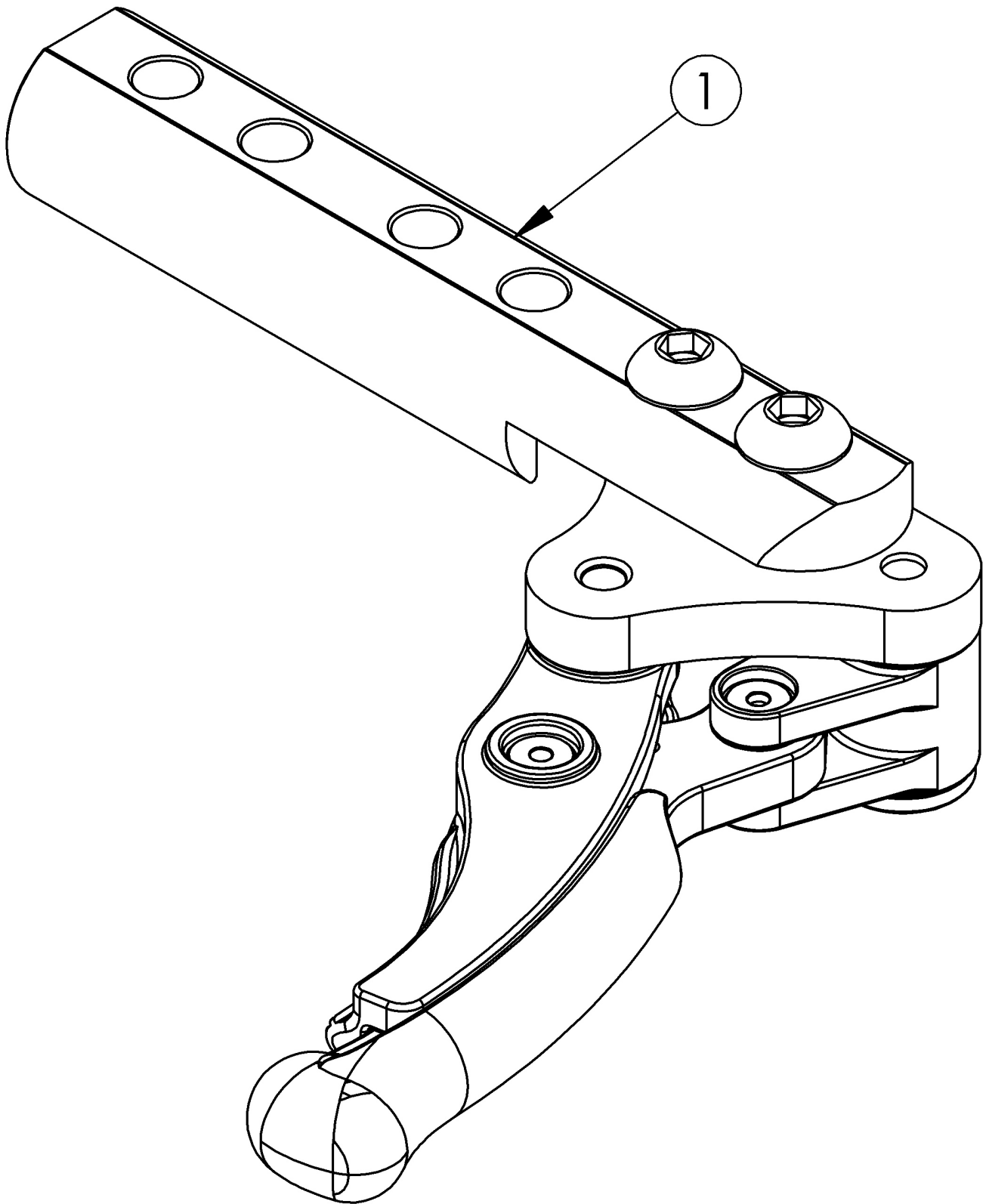


# Low Profile Scissor Lock

---



*Ethos: if adding Wheel Locks to a chair, new Front ISO Towers are required*

<b>Item Number</b>	<b>Part Number</b>	<b>Description</b>	<b>Quantity</b>	<b>Retail</b>
1a	108212	Low Profile Scissor Lock with Instruction, Right <i>This kit contains 107188 wheel lock along with an instruction for reversing the wheel lock. Replaced kit 506660.</i>	1	\$46.84
1b	108213	Low Profile Scissor Lock with Instruction, Left <i>This kit contains 107189 wheel lock along with an instruction for reversing the wheel lock. Replaced kit 506659.</i>	1	\$46.84