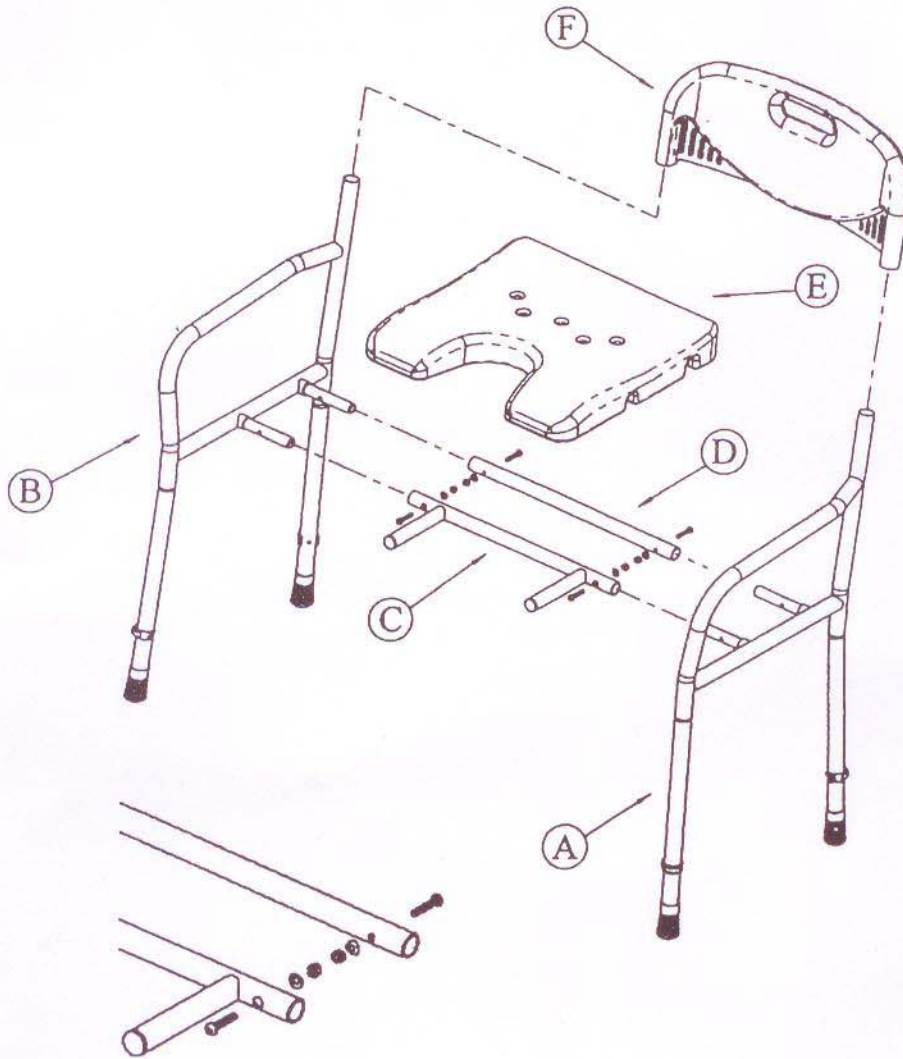


Item No: 9401-A

Assemble Instruction

Shower Chair



Parts List

Screws Content

No.	Parts	NUM.	ITEM	SPECIFICATION	NUM.
A	Left Frame	1	Screw	M6.0XP1.0X30.0MM	4
B	Right Frame	1	Lock Nut	M6.0XP1.0	4
C	Front Seat Tube	1	Washer	ϕ 6.5X ϕ 13.0X1.1MM	4
D	Back Seat Tube	1			
E	Seat	1			
F	Back	1			