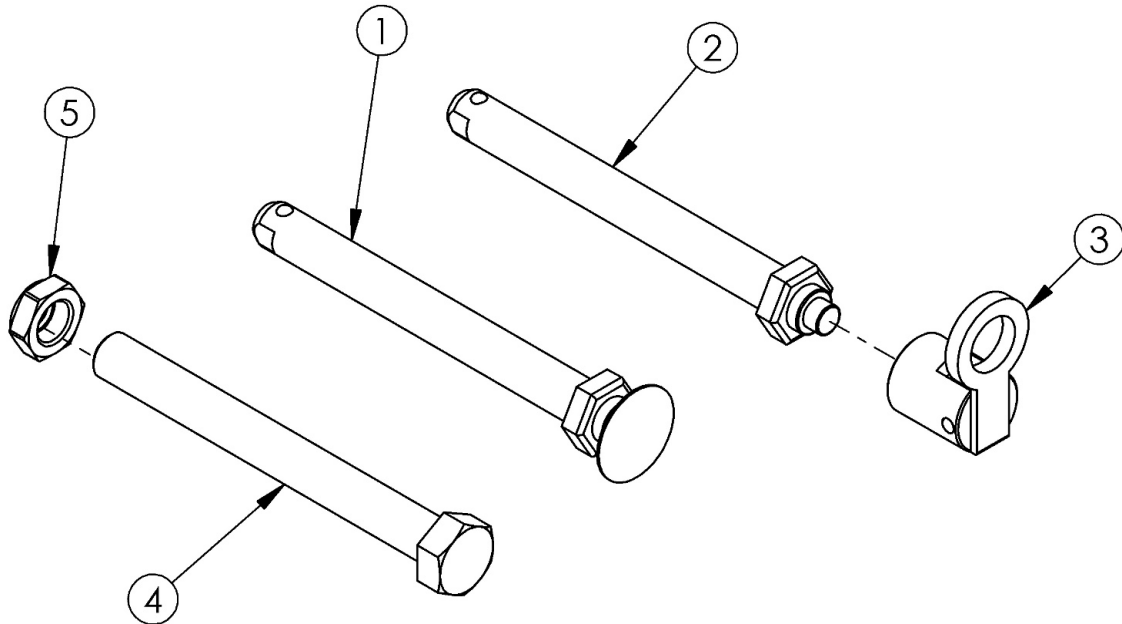


Catalyst E Axles



See axle utilization charts to determine appropriate axle.

Item Number	Part Number	Description	Quantity
1a	101108	Axle Quick Release w/ Button 1/2" x 99MM	1
1b	101191	Axle Quick Release w/ Button 1/2" x 110MM	1
2a, 3	113966	Axle Quick Release 1/2" x 99MM with Quad Quick Release Lever	1
2b, 3	113967	Axle Quick Release 1/2" x 104MM with Quad Quick Release Lever	1
2a	100755	Axle Quick Release 1/2" x 99MM	1
2b	100901	Axle Quick Release 1/2" x 104MM	1
3	100910	Quad Quick Release Lever	1
4	100899	Fixed Axle 1/2-13 x 4-3/4 G5 HHCS ZC	1
5	100900	1/2-13 NTE JAM NYL INS L/N HXFRE ZC	1

Catalyst Axle Reference

Quick Release Axles		
Wheel	Receivers	
	000052 / 114491-114492 / 114480	000281
Assembled 6-Spoke Mag	100901	102432
X Core Mag / MAXX MAG	101191	N/A
Ki Spoke / MAXX Performance Spoke / Spoke / Spinergy	101108	101182
w/ Quad Quick Release Lever	100755	100901

Drum Brake Quick Release Axle	
MAXX Spoke	101191

Fixed Axle	
All Wheels	100899

Axle Part Numbers		
Push Pin Style	Push Button Style	Threaded (Fixed)
100755 (1/2" x 99mm)	101108 (1/2" x 99mm)	100899 (1/2" x 4-3/4")
100901 (1/2" x 104mm)	101182 (1/2" x 104mm)	
102432 (1/2" x 112mm)	101191 (1/2" x 110mm)	

Catalyst Axles and Receivers

To find the appropriate axle, first establish the axle receiver according to the RECEIVERS section and then determine the axle using the AXLES section. On Catalyst 4 chairs, new axles and receivers may be required for proper fit.

RECEIVERS

Catalyst 4

Receiver/Axle Bracket: 000052L and 000052R

Description: Axle Bracket Offset

Used On: Catalyst 4, 4C, 4TTL with no armrests, with X Core mag and Topolino wheels or with Superlight, Spinergy and 6-spoke mag wheels when standard flip back or swing away armrests are used.

Receiver/Axle Bracket: 000281L and 000281R

Description: Extended Axle Bracket Offset

Used On: Catalyst 4, 4C, 4TTL with Superlight, Spinergy and 6-spoke mag wheels when height adjustable armrests are used or with Ki Spoke and MAXX Performance Spoke Wheels when any armrest is used.

Receiver/Axle Bracket: 114491 and 114492

Description: CAT 4 Axle Bracket MAXX Mag

Used With: MAXX Mag wheels.

Catalyst 5 / Spark

Receiver: 114480

Description: CAT Axle Receiver 2.5"

Used On: Catalyst 5, 5TTL, 5TI, 5Vx, E, Spark

AXLES

000052L/R and 114480 Receivers

Assembled 6-Spoke Mag – 100901 (Used with Quad Quick Release as well)

X Core Mag, MAXX Mag – 101191

Ki Spoke, MAXX Performance Spoke, Spoke, Spinergy – 101108

Quad Quick Release (All wheels except 6-Spoke Mag) – 100755

000281L/R Receivers (not available with X Core Mag wheels)

Assembled 6-Spoke Mag – 102432 (used with Quad Quick Release as well)

Ki Spoke, MAXX Performance Spoke, Spoke, Spinergy – 101182

Quad Quick Release (All wheels except 6-Spoke Mag) – 100901

114491/114492 Receivers

MAXX Mag wheels - 101191

To identify which axle you have: Set your axle on the printed copy of this page (do not scale when printing) or take the measurement as shown and locate which overall dimension matches that of the axle you have. Note: the overall length is not the same as the “useable length” which is the length used in the part description. Images of all axles are shown below.

