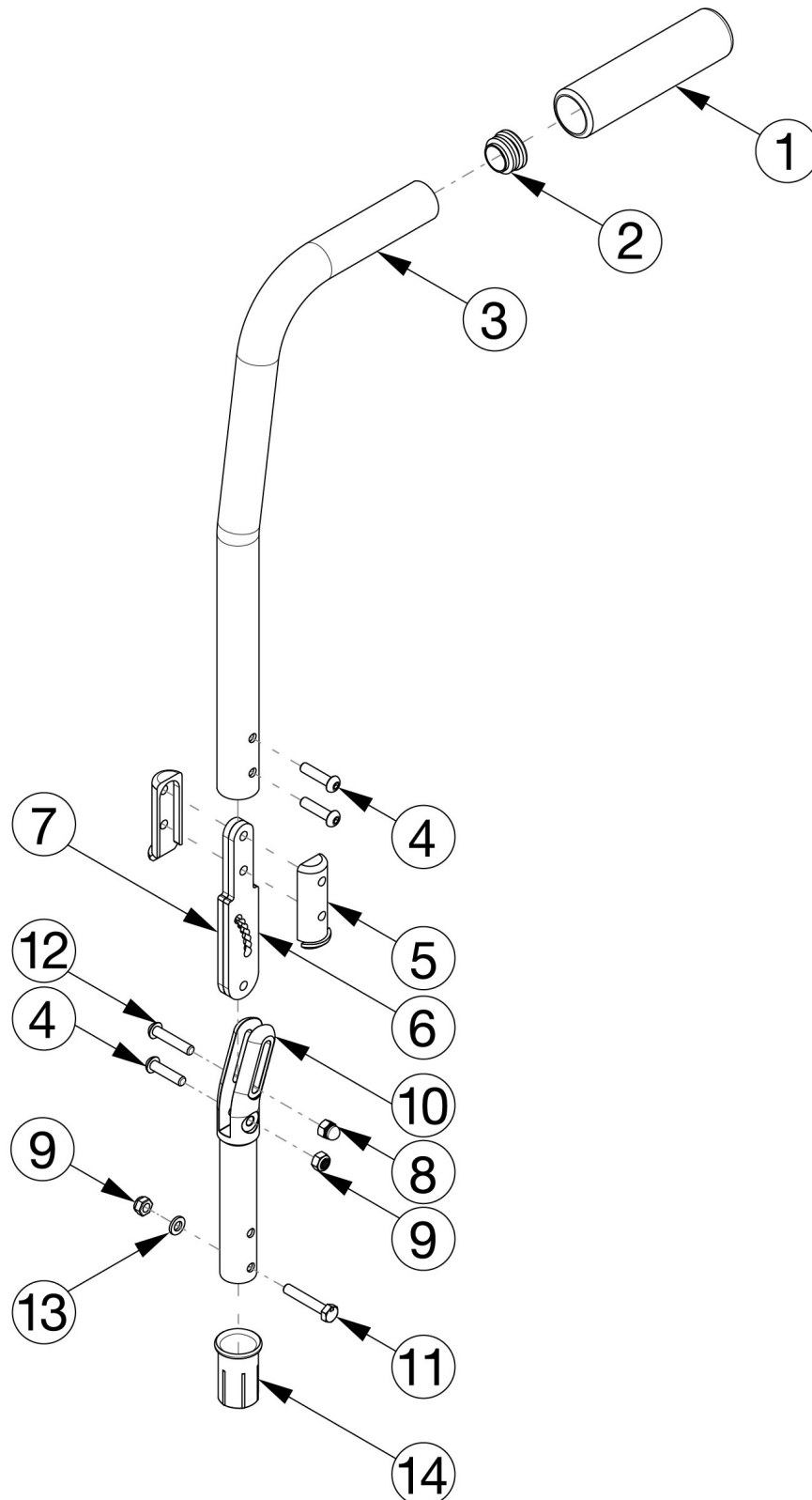


Catalyst E Backrest - Angle Adjustable



Item Number	Part Number	Description	Quantity
1-3a, 4-10, 12	115834	Angle Adjustable Backrest - Short (16")	1
1-3b, 4-10, 12	115835	Angle Adjustable Backrest - Tall (20")	1
4 - 8, 10, 12	115836	Angle Adjustable Backrest, Pivot Assembly	1
9, 11, 13, 14	115852	Backrest Mount Hardware	1
4	101593	M6 x 25 BTN SHCS BLKZC	3
5	111959	Angle Adjustable Backrest Angle Plate Sleeve	2
6	111958	Angle Adjustable Backrest Plate	1
7	112984	Angle Adjustable Backrest Angle Plate Threaded	1
8	100558	M6 Nyl Ins Domed Cap L/N Zc	1
9	100658	M6 Nylock Nut Blk Zn	2
10	111960	Angle Adjustable Backrest Pivot Weldment	1
11	100860	M6 X 35 Hhcs P/Thd Zc	1
12	102625	M6 X 30 BHCS BLK ZC	1
13	100746	M6 Flat Washer Blk Zn	1
14	111965	Frame Sleeve, Angle Adjustable Backrest	1