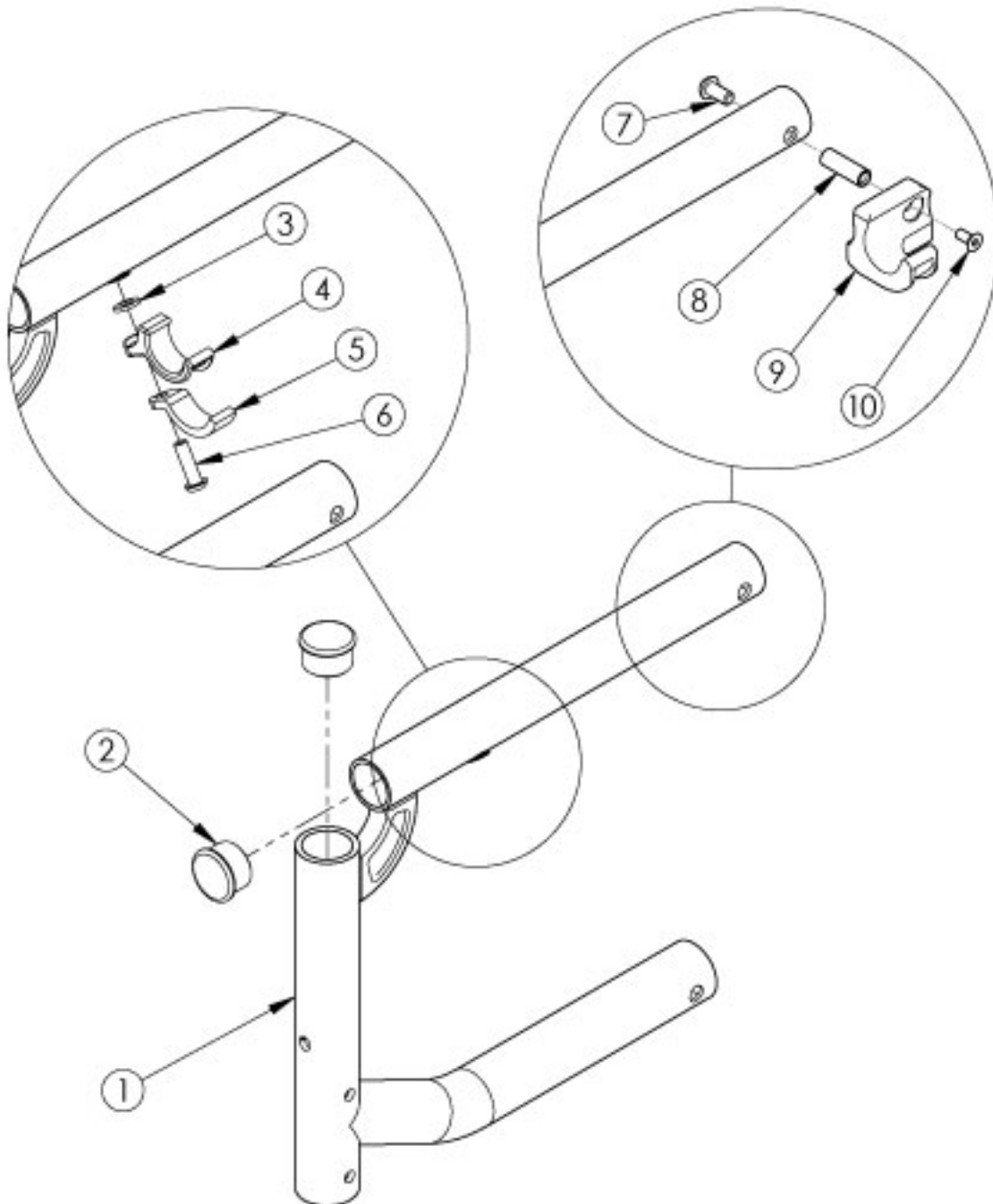


# Catalyst Super Low Swing Away Front Frame



*<p>This front frame design effective January 1st, 2021. <p>*

*Frame assemblies are based on Seat Depth. If switching to a new Seat Depth, new Height Adjustable T-Arms or Height Adjustable Flip Back T-Arms may be needed. <p>*

*If chair has Flip Back or the discontinued Height Adjustable Flip Back armrests, select a frame assembly with the Flip Back Arm Modification. This modification does not apply to Height Adjustable Flip Back T-Arms. <p>*

*If retrofitting from a Fixed Front Frame, new caster housings and attaching hardware are required.*

Item Number	Part Number	Description	Quantity	Retail
3, 4, 5, 6	501005	Seat Hook and Support Hardware Kit, Standard, Catalyst <i>This kit contains quantity of 1 each</i>	1	\$17.40
7, 8, 9a, 10	111569	Seat Hook and Support Hardware Kit, Seating System, Right Side, Catalyst <i>This kit contains quantity of 1 each</i>	1	\$29.56
7, 8, 9b, 10	111570	Seat Hook and Support Hardware Kit, Seating System, Left Side, Catalyst <i>This kit contains quantity of 1 each</i>	1	\$29.56
1a, 2	100398_ _ _	Frame Assm Cat Front Low Left 14 _ _ _	1	\$146.24 - \$223.75
1b, 2	100400_ _ _	Frame Assm Cat Front Low Left 15 _ _ _	1	\$146.24 - \$223.75
1c, 2	100402_ _ _	Frame Assm Cat Front Low Left 16 _ _ _	1	\$146.24 - \$223.75
1d, 2	100404_ _ _	Frame Assm Cat Front Low Left 17 _ _ _	1	\$146.24 - \$223.75
1e, 2	501609_ _ _	Frame Assm Cat Front Low Left 18 _ _ _	1	\$146.24 - \$223.75
1f, 2	501610_ _ _	Frame Assm Cat Front Low Left 19 _ _ _	1	\$146.24 - \$223.75
1g, 2	100406_ _ _	Frame Assm Cat Front Low Left 20 _ _ _	1	\$146.24 - \$223.75
1h, 2	100397_ _ _	Frame Assm Cat Front Low Right 14 _ _ _	1	\$146.24 - \$223.75
1i, 2	100399_ _ _	Frame Assm Cat Front Low Right 15 _ _ _	1	\$146.24 - \$223.75
1j, 2	100401_ _ _	Frame Assm Cat Front Low Right 16 _ _ _	1	\$146.24 - \$223.75
1k, 2	100403_ _ _	Frame Assm Cat Front Low Right 17 _ _ _	1	\$146.24 - \$223.75
1l, 2	501611_ _ _	Frame Assm Cat Front Low Right 18 _ _ _	1	\$146.24 - \$223.75
1m, 2	501612_ _ _	Frame Assm Cat Front Low Right 19 _ _ _	1	\$146.24 - \$223.75
1n, 2	100405_ _ _	Frame Assm Cat Front Low Right 20 _ _ _	1	\$146.24 - \$223.75
1c, 2	114338_ _ _	Frame Assm Cat Front with Flip Back Arm Modification Low Left 16 _ _ _	1	\$146.24 - \$223.75
1d, 2	114340_ _ _	Frame Assm Cat Front with Flip Back Arm Modification Low Left 17 _ _ _	1	\$146.24 - \$223.75
1e, 2	114347_ _ _	Frame Assm Cat Front with Flip Back Arm Modification Low Left 18 _ _ _	1	\$146.24 - \$223.75
1f, 2	114348_ _ _	Frame Assm Cat Front with Flip Back Arm Modification Low Left 19 _ _ _	1	\$146.24 - \$223.75
1g, 2	114342_ _ _	Frame Assm Cat Front with Flip Back Arm Modification Low Left 20 _ _ _	1	\$146.24 - \$223.75
1j, 2	114337_ _ _	Frame Assm Cat Front with Flip Back Arm Modification Low Right 16 _ _ _	1	\$146.24 - \$223.75
1k, 2	114339_ _ _	Frame Assm Cat Front with Flip Back Arm Modification Low Right 17 _ _ _	1	\$146.24 - \$223.75
1l, 2	114349_ _ _	Frame Assm Cat Front with Flip Back Arm Modification Low Right 18 _ _ _	1	\$146.24 - \$223.75

Item Number	Part Number	Description	Quantity	Retail
1m, 2	114350_ _ _	Frame Assm Cat Front with Flip Back Arm Modification Low Right 19 _ _ _	1	\$146.24 - \$223.75
1n, 2	114341_ _ _	Frame Assm Cat Front with Flip Back Arm Modification Low Right 20 _ _ _	1	\$146.24 - \$223.75
2	100804	Tube End Plug 1" <i>Quantity 2 when omitting hangers</i>	1	\$1.58
3	100831	1/2" Washer OD .040" Thick	1	\$1.58
4	000003	Seat Hook, Catalyst	1	\$7.70
5	000004	Seat Hook Support, Catalyst	1	\$6.55
6	100668	M6 x 20 CLS10.9 BTN SHCS ZC w/Patch	1	\$1.58
7	100667	M6 x 12 BTN SHCS BLKZC w/Patch	1	\$1.58
8	000065	M6 x 23.68 Threaded Barrel	1	\$4.13
9a	000960R	Seat Hook Open Frame Right Front Frame / Left Rear Frame, Catalyst	1	\$21.75
9b	000960L	Seat Hook Open Frame Left Front Frame / Right Rear Frame, Catalyst	1	\$21.75
10	101594	M6 x 14 CLS10.9 DIN7991 FSHCS BLKZC w/Patch	1	\$2.10

Matte Finish	
Code	Color Name
CGM	Charcoal Gray
EGM	Emerald Green
GGM	Graphite Gray*
IBM	Iridescent Burgundy
INM	Iridescent Navy
AGM	Military Green**
RRM	Retro Red
RBM	Royal Blue
SBM	Shadow Black
SWM	Smooth White

\* Discontinued Color

\*\* Formerly called Army Green

Gloss Finish	
Code	Color Name
BLK	Black
BLU	Blue
SKY	Blue Skies
BRO	Bright Orange*
PNK	Bubblegum Pink
BUR	Burgundy*
CBL	Candy Blue
PUR	Candy Purple
RED	Candy Red
COP	Copper
DPR	Deep Purple*
EBL	Electric Blue*
GRN	Forest Green*
FUS	Fuchsia*
GSM	Granny Smith
MTF	Metallic Fuchsia*
MOR	Metallic Orange
ORG	Orange*
SAP	Sapphire*
SIL	Silver
TEA	Teal
YLW	Yellow
FLM	Graphic Image Transfer