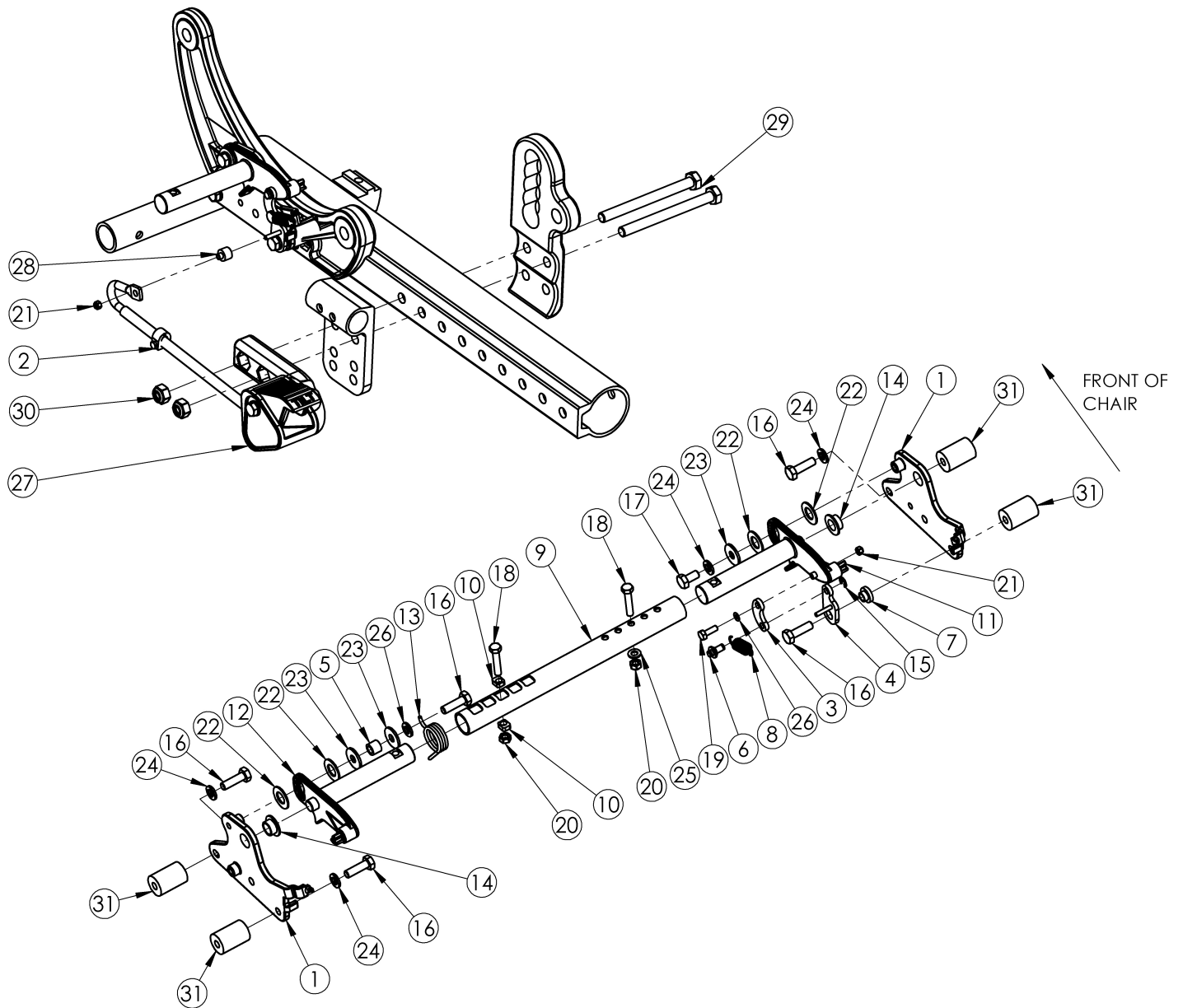


(Discontinued 2) Focus CR Foot Tilt Mechanism



This design effective starting with serial numbers FCR0013026 through FCR0025161 or FCHD002315

Item Number	Part Number	Description	Quantity	Retail
1a, 14	502690	Tilt Lock Mount Bracket w/ Bearing Kit, Right Focus	1	\$19.27
1b, 14	502691	Tilt Lock Mount Bracket w/ Bearing Kit, Left Focus	1	\$19.27
2	003517	Shaft Clamp 6mm <i>Cannot be used on Focus prior to serial number FCR0013026 or after FCR0025162 and FCHD002315</i>	1	\$17.81
3	003247	Link, Drive, Tilt	1	\$12.87

Item Number	Part Number	Description	Quantity	Retail
4a	002084	Toggle, Drive, Tilt, R	1	\$11.28
4b	002085	Toggle, Drive, Tilt, L	1	\$20.45
5	002086	Spacer, .38ODx.24IDx.31LG	1	\$2.42
6	003364	Pin, Toggle, Tilt	1	\$7.25
9a	002094	Growth Strut, Tilt Lock, Small	1	\$33.62
9b	002095	Growth Strut, Tilt Lock, Med	1	\$35.72
9c	002096	Growth Strut, Tilt Lock, Large	1	\$37.82
10	002097	Insert, Drive, Tilt	2	\$3.86
11	002411	Cog Lever, Tilt Lock, R	1	\$38.59
12	002412	Cog Lever, Tilt Lock, L	1	\$38.59
13a	001109	Spring Tilt Lock Right TILT <i>Used with left side assembly</i>	1	\$4.71
13b	001110	Spring Tilt Lock Left TILT <i>Used with right side assembly</i>	1	\$4.71
16a	101823	M6 x 20 HHCS Blk Zn <i>Standard weight capacity requires qty 5; Heavy Duty requires qty of 1</i>	5	\$1.05
16b	100674	M6 x 45 CLS10.9 DIN931 HHCS ZC <i>Used with Heavy Duty option/spacer</i>	3	\$1.58
16c	101826	M6 x 50 HHCS Blk Zn <i>Used on drive side tilt with Heavy Duty option/spacer</i>	1	\$2.10
17	101822	M6 x 12 HHCS BLKZC w/Patch	1	\$1.05
18	101821	M5 x 25 HHCS Blk Zn	2	\$1.05
19	102783	M3 x 12 HHCS, CL8.8, Blk Zn	1	\$1.05
20	100657	M5 Nylock Nut Blk Zn	2	\$0.53
21	102784	Nut, Nylock, M3, Blk	2	\$1.05
22	102082	Washer Nylon .406IDX.75ODX.040	4	\$0.56
23	101853	M6 Washer Blk Zn	3	\$0.53
24	101835	M6 Lock Washer Blk Zn	5	\$0.53
25	101856	Flat Washer, M5, Blk Zn	1	\$0.53
26	102785	Flat Washer, M3, Blk Zn	1	\$0.53

Item Number	Part Number	Description	Quantity	Retail
27b, 2	002795	Pedal Assembly Foot Tilt Long, Focus <i>Used with Reclining Backrest; Cannot be used on Focus prior to serial number FCR0013026 or after FCR0025162 and FCHD002316</i>	1	\$82.40
28	002090	Drive Bushing, Tilt Lock	1	\$2.79
29a	101832	M8 x 90 HHCS Blk Zn	2	\$3.68
29b	102384	M8 x 100 HHCS Blk Zc Part THD <i>Used with Attendant Foot Lock</i>	2	\$3.68
30	100659	M8 Nylock Nut Blk Zn	2	\$1.05
31	001405	Spacer, .69OD x .24ID x .1.01Lg <i>Only used with Heavy Duty option</i>	4	\$26.05