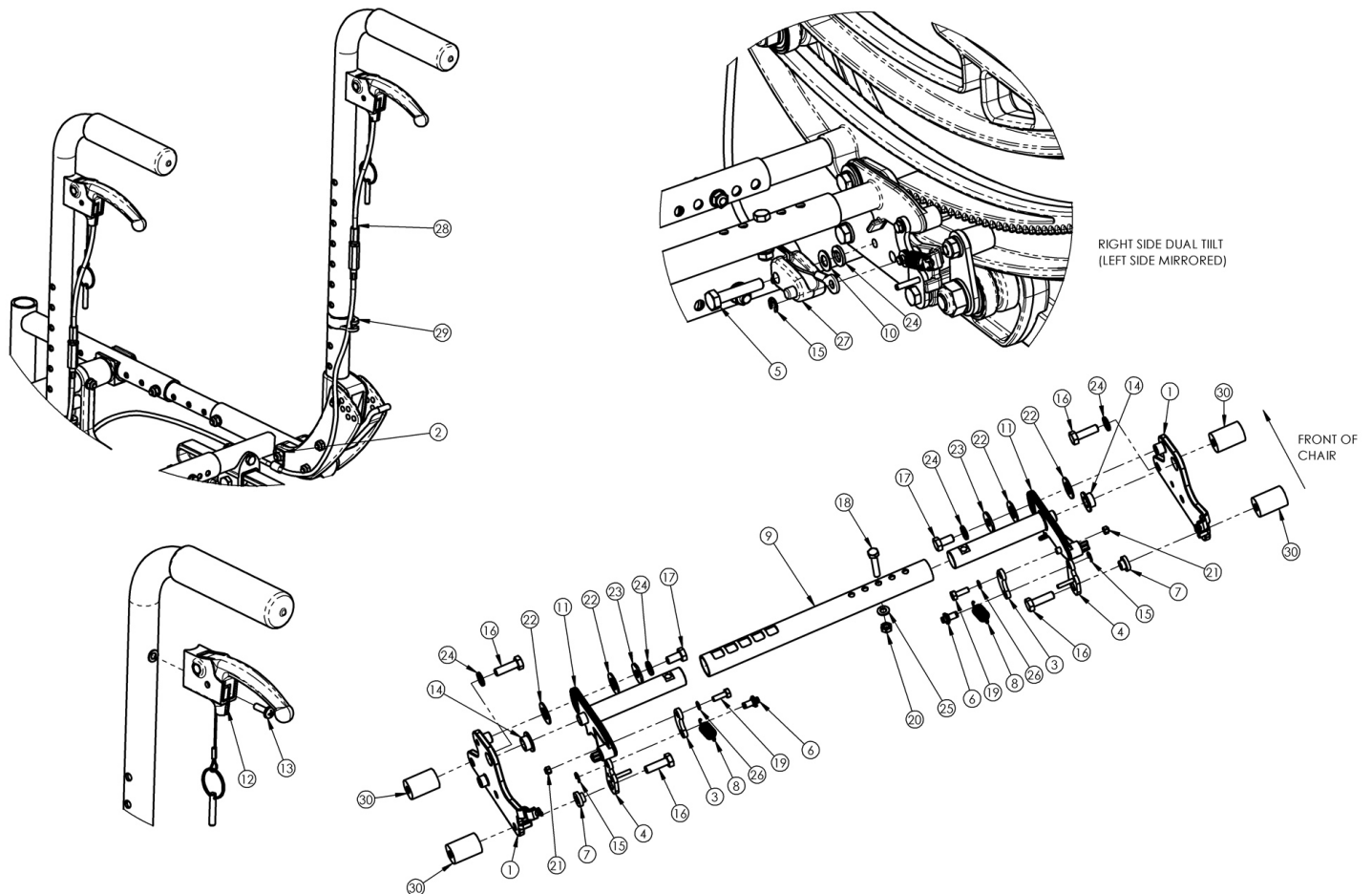


# (Discontinued 1) Focus CR Dual Hand Tilt Mechanism Stroller Handle Back



*This Focus CR Hand Tilt is discontinued and was used on chairs with serial numbers prior to FCR0025162 and FCHD002316.*

| Item Number        | Part Number | Description   | Quantity |
|--------------------|-------------|---|----------|
| 2, 12, 13, 28a, 29 | 503777      | Dual Hand Tilt / Trigger Kit for Short Stroller Handle/Fixed Height/Recline Back, Focus | 1        |
| 2, 12, 13, 28b, 29 | 503778      | Dual Hand Tilt / Trigger Kit for Tall Stroller Handle/Fixed Height/Recline Back, Focus  | 1        |
| 1a, 14             | 503779      | Tilt Lock Mount Bracket w/ Bearing Kit, Right, Focus, Dual Fixed Height                 | 1        |
| 1b, 14             | 503780      | Tilt Lock Mount Bracket w/ Bearing Kit, Left, Focus, Dual Fixed Height                  | 1        |
| 2                  | 001239      | P-Clip 3/16"  | 2        |
| 4a                 | 002084      | Toggle, Drive, Tilt, R  | 1        |
| 4b                 | 002085      | Toggle, Drive, Tilt, L  | 1        |
| 5                  | 101824      | M6 x 30 HHCS Blk Zn   | 2        |

| Item Number | Part Number | Description   | Quantity |
|-------------|-------------|---|----------|
| 6           | 003364      | Pin, Toggle, Tilt   | 2        |
| 9a          | 002094      | Growth Strut, Tilt Lock, Small  | 1        |
| 9b          | 002095      | Growth Strut, Tilt Lock, Med  | 1        |
| 9c          | 002096      | Growth Strut, Tilt Lock, Large  | 1        |
| 10          | 102803      | Washer Flat .250 x .500 x .027 HX BLZ                                       | 2        |
| 12, 13      | 110139      | Lever Assembly with Lanyard Vertical Tilt                                   | 2        |
| 13          | 100734      | M5 x 16 PHMS ZC   | 2        |
| 16a         | 101823      | M6 x 20 HHCS Blk Zn   | 4        |
| 16b         | 100674      | M6 x 45 CLS10.9 DIN931 HHCS ZC<br><i>Used with Heavy Duty option/spacer</i> | 2        |
| 16c         | 101826      | M6 x 50 HHCS Blk Zn<br><i>Used with Heavy Duty option/spacer</i>            | 2        |
| 17          | 101822      | M6 x 12 HHCS BLKZC w/Patch  | 2        |
| 18          | 101821      | M5 x 25 HHCS Blk Zn   | 1        |
| 19          | 102783      | M3 x 12 HHCS, CL8.8, Blk Zn   | 2        |
| 20          | 100657      | M5 Nylock Nut Blk Zn  | 1        |
| 21          | 102784      | Nut, Nylock, M3, Blk  | 2        |
| 22          | 102082      | Washer Nylon .406IDX.75ODX.040  | 4        |
| 23          | 101853      | M6 Washer Blk Zn  | 2        |
| 24          | 101835      | M6 Lock Washer Blk Zn   | 5        |
| 25          | 101856      | Flat Washer, M5, Blk Zn   | 1        |
| 26          | 102785      | Flat Washer, M3, Blk Zn   | 2        |
| 27          | 003387      | Cable Mount, Tilt   | 2        |
| 28a         | 002100      | Cable, Tilt, Short<br><i>Used with short back height range</i>              | 2        |
| 28b         | 002101      | Cable, Tilt, Med<br><i>Used with tall back height range</i>                 | 2        |
| 29          | 001117      | Cable Clip 1"   | 2        |
| 30          | 001405      | Spacer, .69OD x .24ID x .1.01Lg<br><i>Only used with Heavy Duty Option</i>  | 4        |