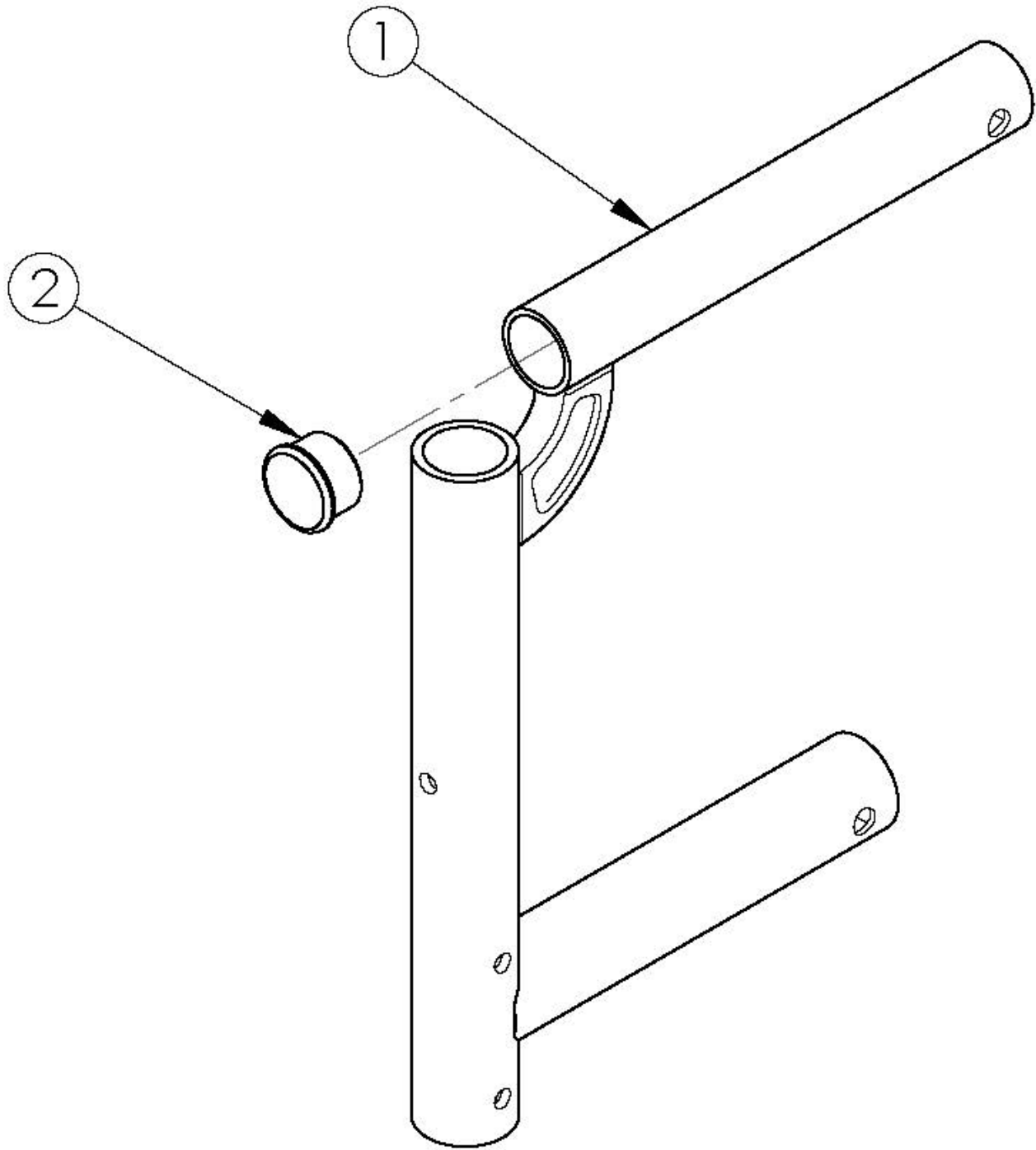


# Spark Swing Away Front Frame

---



*This front frame design effective January 25th, 2021 Frame Assemblies based on Frame Depth*

<b>Item Number</b>	<b>Part Number</b>	<b>Description</b>	<b>Quantity</b>
1a, 2	101610_ _ _	Frame Assm Spark Front Left 12	1
1b, 2	501621_ _ _	Frame Assm Spark Front Left 13	1
1c, 2	101611_ _ _	Frame Assm Spark Front Left 14	1
1d, 2	501622_ _ _	Frame Assm Spark Front Left 15	1
1e, 2	101612_ _ _	Frame Assm Spark Front Left 16	1
1f, 2	501623_ _ _	Frame Assm Spark Front Left 17	1
1g, 2	501624_ _ _	Frame Assm Spark Front Left 18	1
1h, 2	101604_ _ _	Frame Assm Spark Front Right 12	1
1i, 2	501625_ _ _	Frame Assm Spark Front Right 13	1
1j, 2	101605_ _ _	Frame Assm Spark Front Right 14	1
1k, 2	501626_ _ _	Frame Assm Spark Front Right 15	1
1l, 2	101606_ _ _	Frame Assm Spark Front Right 16	1
1m, 2	501627_ _ _	Frame Assm Spark Front Right 17	1
1n, 2	501628_ _ _	Frame Assm Spark Front Right 18	1
2	100804	Tube End Plug 1"	1

Matte Finish	
Code	Color Name
CGM	Charcoal Gray
EGM	Emerald Green
GGM	Graphite Gray*
IBM	Iridescent Burgundy
INM	Iridescent Navy
AGM	Military Green**
RRM	Retro Red
RBM	Royal Blue
SBM	Shadow Black
SWM	Smooth White

\* Discontinued Color

\*\* Formerly called Army Green

Gloss Finish	
Code	Color Name
BLK	Black
BLU	Blue
SKY	Blue Skies
BRO	Bright Orange*
PNK	Bubblegum Pink
BUR	Burgundy*
CBL	Candy Blue
PUR	Candy Purple
RED	Candy Red
COP	Copper
DPR	Deep Purple*
EBL	Electric Blue*
GRN	Forest Green*
FUS	Fuchsia*
GSM	Granny Smith
MTF	Metallic Fuchsia*
MOR	Metallic Orange
ORG	Orange*
SAP	Sapphire*
SIL	Silver
TEA	Teal
YLW	Yellow
FLM	Graphic Image Transfer