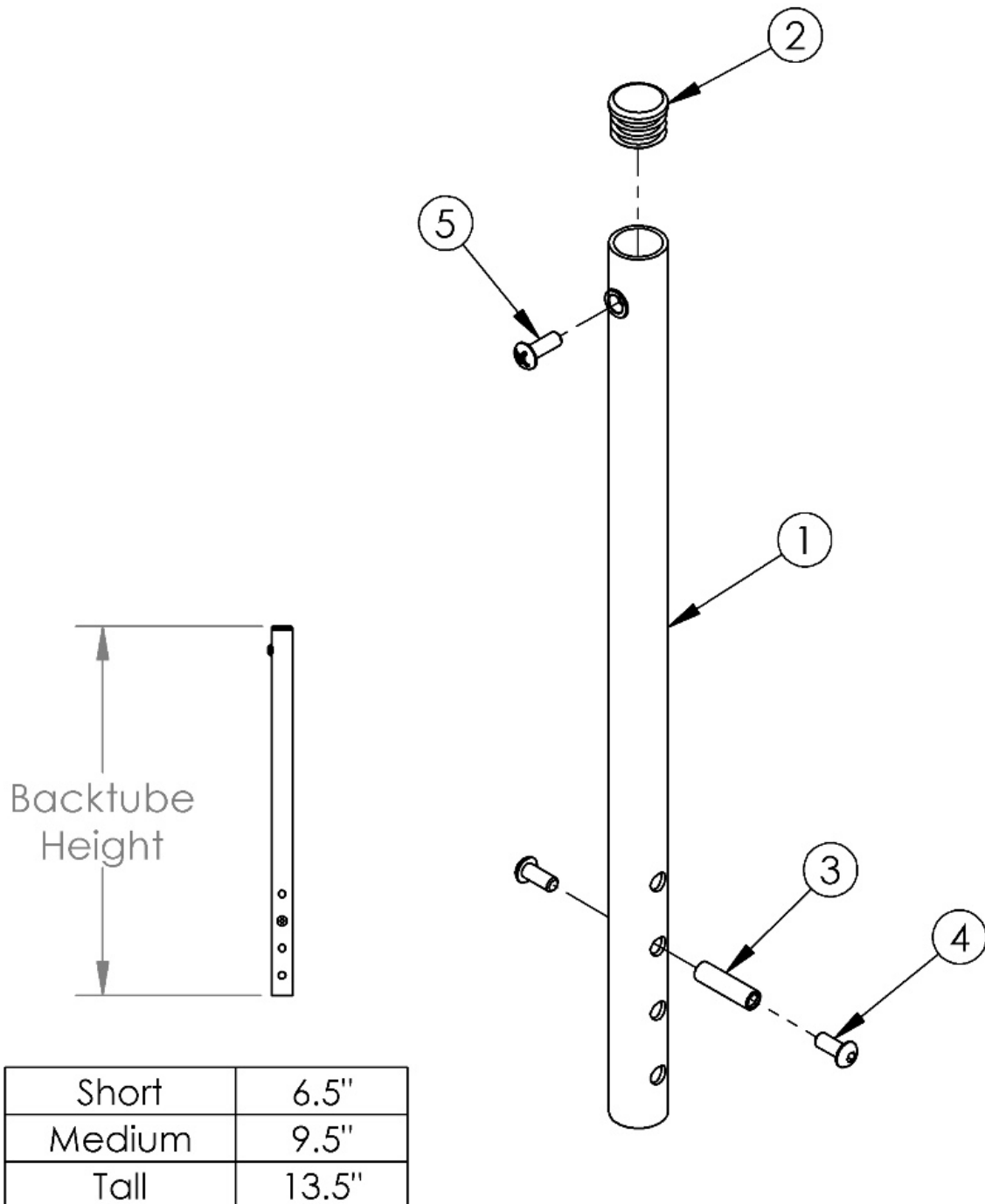


Rigid Backtube



Used with Height Adjustable Back Frames with Omit Push Handle Option

Item Number	Part Number	Description	Quantity
1a, 2 - 5	501388	Backtube w/Hardware Assembly Short, Rigid	1

Item Number	Part Number	Description	Quantity
		<i>Used with short back height range</i>	
1b, 2 - 5	501389	Backtube w/Hardware Assembly Medium, Rigid <i>Used with medium back height range</i>	1
1c, 2 - 5	501390	Backtube w/Hardware Assembly Tall, Rigid <i>Used with tall back height range</i>	1
1a	000192	Backtube Extension 6.5", Rigid <i>Used with short back height range</i>	1
1b	000193	Backtube Extension 9.5", Rigid <i>Used with medium back height range</i>	1
1c	000194	Backtube Extension 13.5", Rigid <i>Used with tall back height range</i>	1
2	100638	Tube End Plug 3/4"	1
3	000073	M5 x 24 Threaded Barrel	1
4	100669	M5 x 10 BTN SHCS BLKZC w/Patch	2
5	100734	M5 x 16 PHMS ZC <i>Back Upholstery Screw</i>	1