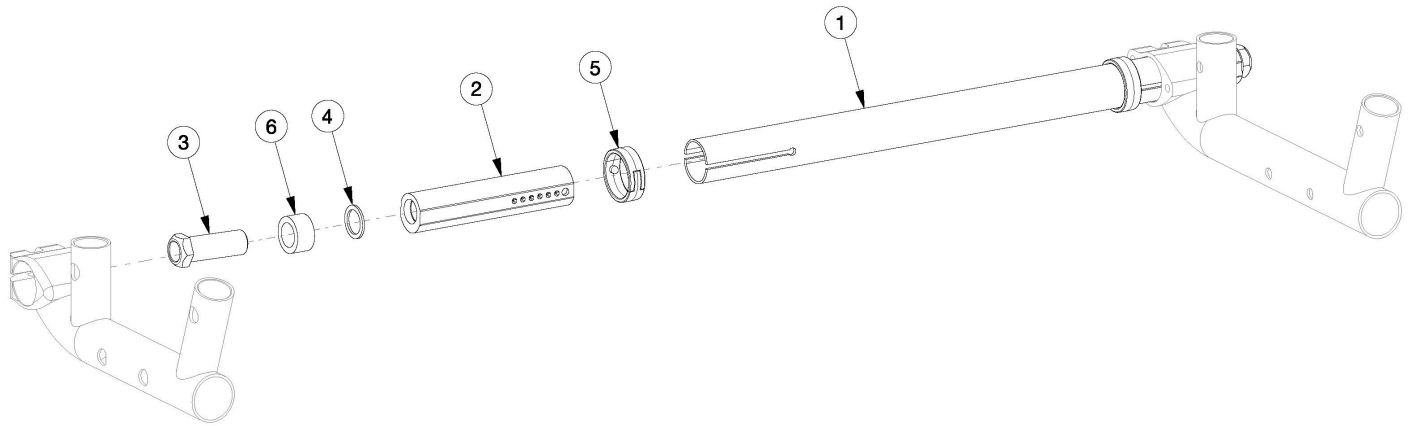


Ethos Camber Tube and Adapters



Camber Tube based on seat width

Item Number	Part Number	Description	Quantity
1a	004165	12" Wide Camber Tube, Black Anodized	1
1b	004165_ _ _	12" Wide Camber Tube, Color Anodized/Color Accent	1
1c	004166	13" Wide Camber Tube, Black Anodized	1
1d	004166_ _ _	13" Wide Camber Tube, Color Anodized/Color Accent	1
1e	004167	14" Wide Camber Tube, Black Anodized	1
1f	004167_ _ _	14" Wide Camber Tube, Color Anodized/Color Accent	1
1g	004168	15" Wide Camber Tube, Black Anodized	1
1h	004168_ _ _	15" Wide Camber Tube, Color Anodized/Color Accent	1
1i	004169	16" Wide Camber Tube, Black Anodized	1
1j	004169_ _ _	16" Wide Camber Tube, Color Anodized/Color Accent	1
1k	004170	17" Wide Camber Tube, Black Anodized	1
1l	004170_ _ _	17" Wide Camber Tube, Color Anodized/Color Accent	1
1m	004171	18" Wide Camber Tube, Black Anodized	1
1n	004171_ _ _	18" Wide Camber Tube, Color Anodized/Color Accent	1
1o	004172	19" Wide Camber Tube, Black Anodized	1

Item Number	Part Number	Description	Quantity
1p	004172_ _ _	19" Wide Camber Tube, Color Anodized/Color Accent	1
1q	004173	20" Wide Camber Tube, Black Anodized	1
1r	004173_ _ _	20" Wide Camber Tube, Color Anodized/Color Accent	1
2a	004174	Camber Plug 0 Degrees	2
2a, 3, 4	004355	Camber Plug 0 Degrees Assembly	2
2a, 3-5	108093	Camber Plug 0 Degrees Assembly with Camber Tube Clip <i>This kit is for one side</i>	1
2b	004175	Camber Plug 2 Degrees	2
2b, 3, 4	004356	Camber Plug 2 Degrees Assembly	2
2b, 3-5	108094	Camber Plug 2 Degrees Assembly with Camber Tube Clip <i>This kit is for one side</i>	1
2c	004176	Camber Plug 4 Degrees	2
2c, 3, 4	004357	Camber Plug 4 Degrees Assembly	2
2c, 3-5	108095	Camber Plug 4 Degrees Assembly with Camber Tube Clip <i>This kit is for one side</i>	1
2d	004177	Camber Plug 6 Degrees	2
2d, 3, 4	004358	Camber Plug 6 Degrees Assembly	2
2d, 3-5	108096	Camber Plug 6 Degrees Assembly with Camber Tube Clip <i>This kit is for one side</i>	1
2e	004178	Camber Plug 8 Degrees	2
2e, 3, 4	004359	Camber Plug 8 Degrees Assembly	2
2e, 3-5	108097	Camber Plug 8 Degrees Assembly with Camber Tube Clip <i>This kit is for one side</i>	1
3	004179	Axle Sleeve 16mm x 1.0 X 2" Long	2
4	004180	Washer .635 ID x .895 OD x .06 T Steel Blk Zc	2
5	111808	Detent Clip For Camber Tube	2
6	004182	Spacer Aluminum .635 Id X .945 Od X .500 T <i>Used as needed. Increases rear wheel spacing up to 2.25"</i>	2

Color Anodizing Samples

