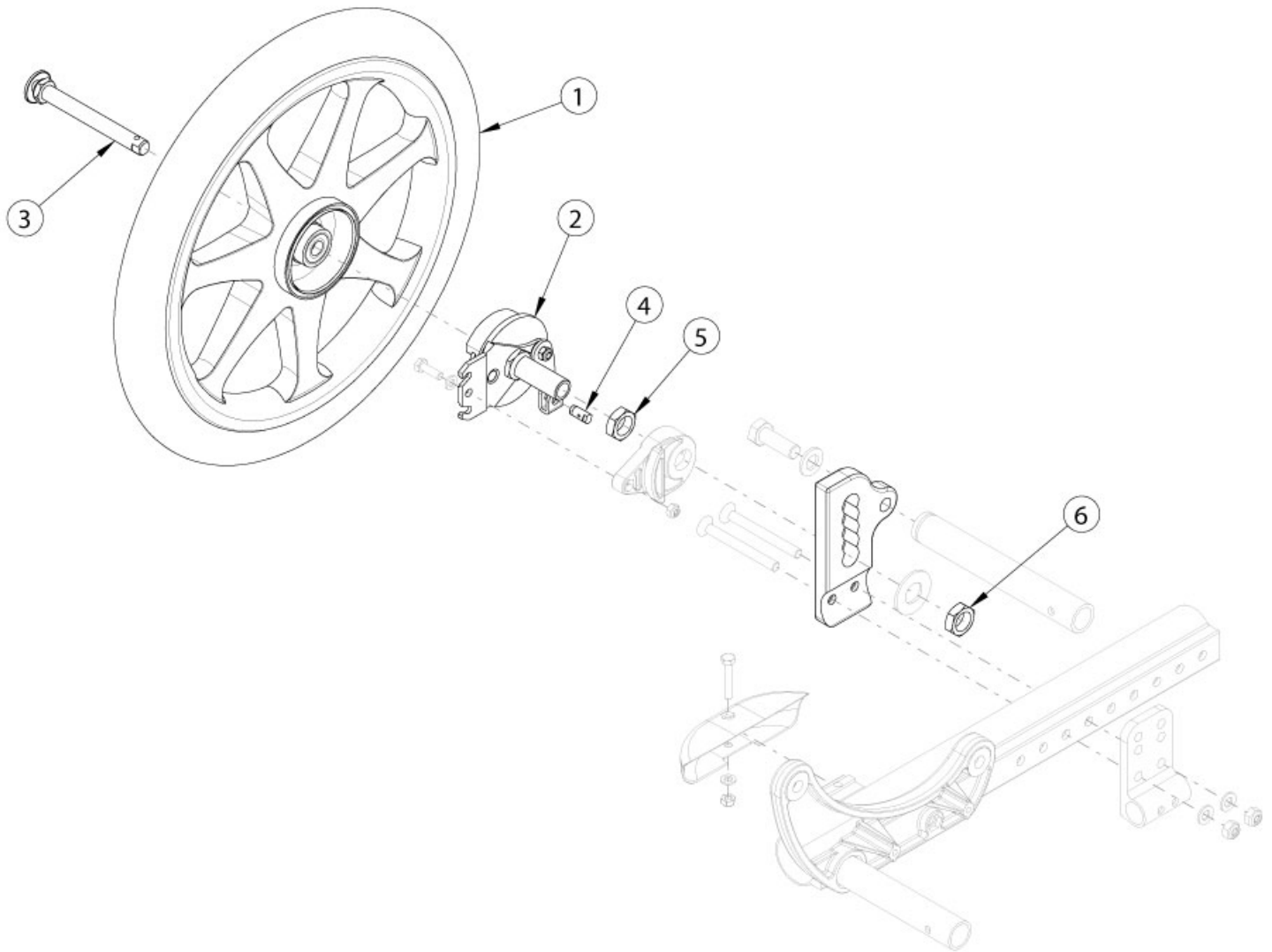


16" Mag Wheel (Focus Drum Brake)



Item Number	Part Number	Description	Quantity	Retail
1a, 2-6	002678	Drum Brake Kit, 16" Mag, Pneumatic Tire PAIR	1	\$441.43
1b, 2-6	002680	Drum Brake Kit, 16" Mag, Full Poly Tire PAIR	1	\$441.43
1c, 2-6	002679	Drum Brake Kit, 16" Mag, Pneumatic Tire w/ Airless Insert PAIR	1	\$602.40