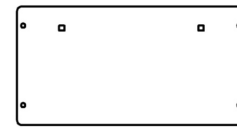
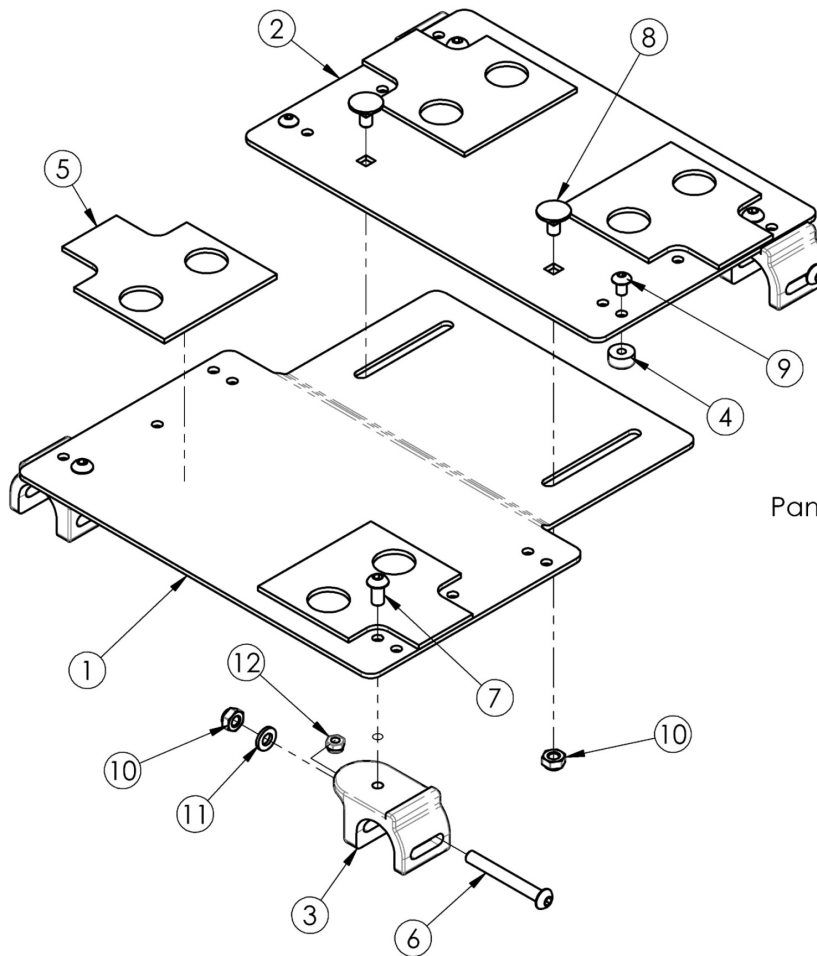
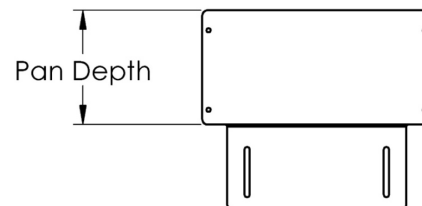


Flip Growing Solid Seat Pan



Rear	
Part No's	Depth
001979 - 001987	6.0"
001998 - 002005	8.0"
002729 - 002736	10.0"



Front	
Part No's	Depth
001968 - 001976	6.0"
001989 - 001997	8.0"

PART NUMBER FOR FRONT/REAR SEAT PAN									
SEAT DEPTH	SEAT WIDTH								
	10"	11"	12"	13"	14"	15"	16"	17"	18"
12"	001968/ 001979	001969/ 001980	001970/ 001981	001971/ 001982	001972/ 001983	001973/ 001984	001974/ 001985	001975/ 001986	001976/ 001987
13"	001968/ 001979	001969/ 001980	001970/ 001981	001971/ 001982	001972/ 001983	001973/ 001984	001974/ 001985	001975/ 001986	001976/ 001987
14"	001989/ 001979	001990/ 001980	001991/ 001981	001992/ 001982	001993/ 001983	001994/ 001984	001995/ 001985	001996/ 001986	001997/ 001987
15"	001989/ 001979	001990/ 001980	001991/ 001981	001992/ 001982	001993/ 001983	001994/ 001984	001995/ 001985	001996/ 001986	001997/ 001987
16"	001989/ 001979	001990/ 001998	001991/ 001999	001992/ 002000	001993/ 002001	001994/ 002002	001995/ 002003	001996/ 002004	001997/ 002005
17"	N/A	001990/ 001998	001991/ 001999	001992/ 002000	001993/ 002001	001994/ 002002	001995/ 002003	001996/ 002004	001997/ 002005
18"	N/A	001990/ 002729	001991/ 002730	001992/ 002731	001993/ 002732	001994/ 002733	001995/ 002734	001996/ 002735	001997/ 002736
19"	N/A	001990/ 002729	001991/ 002730	001992/ 002731	001993/ 002732	001994/ 002733	001995/ 002734	001996/ 002735	001997/ 002736
20"	N/A	001990/ 002729	001991/ 002730	001992/ 002731	001993/ 002732	001994/ 002733	001995/ 002734	001996/ 002735	001997/ 002736

Seat pan width measures approximately 0.5" less than the chair size. See image above for the seat pan depth measurement.

Item Number	Part Number	Description	Quantity
1a, 2a, 3-12	502932	Seat Pan Assm, 10" Wide, 12" - 14" Depth Flip FLIP	1
1j, 2a, 3-12	502933	Seat Pan Assm, 10" Wide, 14" - 16" Depth Flip FLIP	1
1b, 2b, 3-12	502934	Seat Pan Assm, 11" Wide, 12" - 14" Depth Flip FLIP	1
1k, 2b, 3-12	502935	Seat Pan Assm, 11" Wide, 14" - 16" Depth Flip FLIP	1
1k, 2j, 3-12	502936	Seat Pan Assm, 11" Wide, 16" - 18" Depth Flip FLIP	1
1k, 2r, 3-12	502937	Seat Pan Assm, 11" Wide, 18" - 20" Depth Flip FLIP	1
1c, 2c, 3-12	502938	Seat Pan Assm, 12" Wide, 12" - 14" Depth Flip FLIP	1
1l, 2c, 3-12	502939	Seat Pan Assm, 12" Wide, 14" - 16" Depth Flip FLIP	1
1l, 2k, 3-12	502940	Seat Pan Assm, 12" Wide, 16" - 18" Depth Flip FLIP	1
1l, 2s, 3-12	502941	Seat Pan Assm, 12" Wide, 18" - 20" Depth Flip FLIP	1
1d, 2d, 3-12	502942	Seat Pan Assm, 13" Wide, 12" - 14" Depth Flip FLIP	1
1m, 2d, 3-12	502943	Seat Pan Assm, 13" Wide, 14" - 16" Depth Flip FLIP	1
1m, 2l, 3-12	502944	Seat Pan Assm, 13" Wide, 16" - 18" Depth Flip FLIP	1
1m, 2t, 3-12	502945	Seat Pan Assm, 13" Wide, 18" - 20" Depth Flip FLIP	1
1e, 2e, 3-12	502946	Seat Pan Assm, 14" Wide, 12" - 14" Depth Flip FLIP	1
1n, 2e, 3-12	502947	Seat Pan Assm, 14" Wide, 14" - 16" Depth Flip FLIP	1
1n, 2m, 3-12	502948	Seat Pan Assm, 14" Wide, 16" - 18" Depth Flip FLIP	1
1n, 2u, 3-12	502949	Seat Pan Assm, 14" Wide, 18" - 20" Depth Flip FLIP	1
1f, 2f, 3-12	502950	Seat Pan Assm, 15" Wide, 12" - 14" Depth Flip FLIP	1
1o, 2f, 3-12	502951	Seat Pan Assm, 15" Wide, 14" - 16" Depth Flip FLIP	1
1o, 2n, 3-12	502952	Seat Pan Assm, 15" Wide, 16" - 18" Depth Flip FLIP	1
1o, 2v, 3-12	502953	Seat Pan Assm, 15" Wide, 18" - 20" Depth Flip FLIP	1
1g, 2g, 3-12	502954	Seat Pan Assm, 16" Wide, 12" - 14" Depth Flip FLIP	1
1p, 2g, 3-12	502955	Seat Pan Assm, 16" Wide, 14" - 16" Depth Flip FLIP	1
1p, 2o, 3-12	502956	Seat Pan Assm, 16" Wide, 16" - 18" Depth Flip FLIP	1
1p, 2w, 3-12	502957	Seat Pan Assm, 16" Wide, 18" - 20" Depth Flip FLIP	1

Item Number	Part Number	Description	Quantity
1h, 2h, 3-12	502958	Seat Pan Assm, 17" Wide, 12" - 14" Depth Flip FLIP	1
1q, 2h, 3-12	502959	Seat Pan Assm, 17" Wide, 14" - 16" Depth Flip FLIP	1
1q, 2p, 3-12	502960	Seat Pan Assm, 17" Wide, 16" - 18" Depth Flip FLIP	1
1q, 2x, 3-12	502961	Seat Pan Assm, 17" Wide, 18" - 20" Depth Flip FLIP	1
1i, 2i, 3-12	502962	Seat Pan Assm, 18" Wide, 12" - 14" Depth Flip FLIP	1
1r, 2i, 3-12	502963	Seat Pan Assm, 18" Wide, 14" - 16" Depth Flip FLIP	1
1r, 2q, 3-12	502964	Seat Pan Assm, 18" Wide, 16" - 18" Depth Flip FLIP	1
1r, 2y, 3-12	502965	Seat Pan Assm, 18" Wide, 18" - 20" Depth Flip FLIP	1
1a	001968	10" Wide 6" Deep Front Seat Pan	1
1b	001969	11" Wide 6" Deep Front Seat Pan	1
1c	001970	12" Wide 6" Deep Front Seat Pan	1
1d	001971	13" Wide 6" Deep Front Seat Pan	1
1e	001972	14" Wide 6" Deep Front Seat Pan	1
1f	001973	15" Wide 6" Deep Front Seat Pan	1
1g	001974	16" Wide 6" Deep Front Seat Pan	1
1h	001975	17" Wide 6" Deep Front Seat Pan	1
1i	001976	18" Wide 6" Deep Front Seat Pan	1
1j	001989	10" Wide 8" Deep Front Seat Pan	1
1k	001990	11" Wide 8" Deep Front Seat Pan	1
1l	001991	12" Wide 8" Deep Front Seat Pan	1
1m	001992	13" Wide 8" Deep Front Seat Pan	1
1n	001993	14" Wide 8" Deep Front Seat Pan	1
1o	001994	15" Wide 8" Deep Front Seat Pan	1
1p	001995	16" Wide 8" Deep Front Seat Pan	1
1q	001996	17" Wide 8" Deep Front Seat Pan	1
1r	001997	18" Wide 8" Deep Front Seat Pan	1
2a	001979	10" Wide 6" Deep Rear Seat Pan	1

Item Number	Part Number	Description	Quantity
2b	001980	11" Wide 6" Deep Rear Seat Pan	1
2c	001981	12" Wide 6" Deep Rear Seat Pan	1
2d	001982	13" Wide 6" Deep Rear Seat Pan	1
2e	001983	14" Wide 6" Deep Rear Seat Pan	1
2f	001984	15" Wide 6" Deep Rear Seat Pan	1
2g	001985	16" Wide 6" Deep Rear Seat Pan	1
2h	001986	17" Wide 6" Deep Rear Seat Pan	1
2i	001987	18" Wide 6" Deep Rear Seat Pan	1
2j	001998	11" Wide 8" Deep Rear Seat Pan	1
2k	001999	12" Wide 8" Deep Rear Seat Pan	1
2l	002000	13" Wide 8" Deep Rear Seat Pan	1
2m	002001	14" Wide 8" Deep Rear Seat Pan	1
2n	002002	15" Wide 8" Deep Rear Seat Pan	1
2o	002003	16" Wide 8" Deep Rear Seat Pan	1
2p	002004	17" Wide 8" Deep Rear Seat Pan	1
2q	002005	18" Wide 8" Deep Rear Seat Pan	1
2r	002729	11" Wide 10" Deep Rear Seat Pan	1
2s	002730	12" Wide 10" Deep Rear Seat Pan	1
2t	002731	13" Wide 10" Deep Rear Seat Pan	1
2u	002732	14" Wide 10" Deep Rear Seat Pan	1
2v	002733	15" Wide 10" Deep Rear Seat Pan	1
2w	002734	16" Wide 10" Deep Rear Seat Pan	1
2x	002735	17" Wide 10" Deep Rear Seat Pan	1
2y	002736	18" Wide 10" Deep Rear Seat Pan	1
3	002804	Seat Pan Mount	4
4	002805	Seat Pan Support	2
5	002833	AB Tape, Die Cut	4
6	101781	M6 x 50mm Partial Thread BHCS Blk ZC	4

Item Number	Part Number	Description	Quantity
7	100536	M5 x 12 BTN SHCS ZC	4
8	102632	M6 x 12 CLS 8.8 SQ. Neck Carriage BT BLK ZC	2
9	102621	M5 x 8 BHCS BLK ZC	2
10	100658	M6 Nylock Nut Blk Zn	6
11	100746	M6 Flat Washer Blk Zn	4
12	100657	M5 Nylock Nut Blk Zn	4