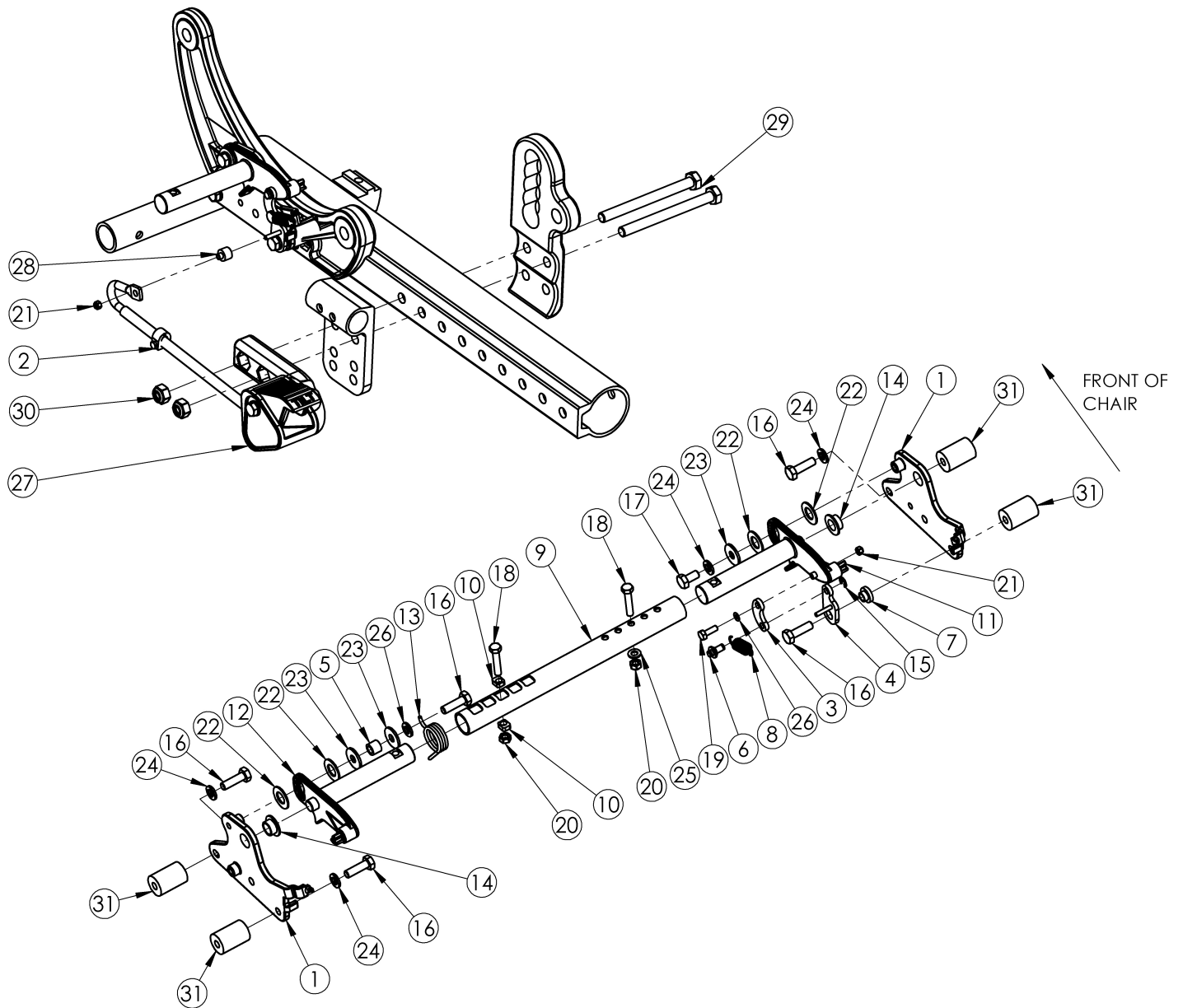


## (Discontinued 2) Focus CR Foot Tilt Mechanism



*This design effective starting with serial numbers FCR0013026 through FCR0025161 or FCHD002315*

Item Number	Part Number	Description	Quantity
1a, 14	502690	Tilt Lock Mount Bracket w/ Bearing Kit, Right Focus	1
1b, 14	502691	Tilt Lock Mount Bracket w/ Bearing Kit, Left Focus	1
4a	002084	Toggle, Drive, Tilt, R	1
4b	002085	Toggle, Drive, Tilt, L	1
5	002086	Spacer, .38ODx.24IDx.31LG	1

Item Number	Part Number	Description	Quantity
6	003364	Pin, Toggle, Tilt	1
9a	002094	Growth Strut, Tilt Lock, Small	1
9b	002095	Growth Strut, Tilt Lock, Med	1
9c	002096	Growth Strut, Tilt Lock, Large	1
10	002097	Insert, Drive, Tilt	2
13a	001109	Spring Tilt Lock Right TILT <i>Used with left side assembly</i>	1
13b	001110	Spring Tilt Lock Left TILT <i>Used with right side assembly</i>	1
16a	101823	M6 X 20 Hhcs Blk Zn <i>Standard weight capacity requires qty 5; Heavy Duty requires qty of 1</i>	5
16b	100674	M6 x 45 CLS10.9 DIN931 HHCS ZC <i>Used with Heavy Duty option/spacer</i>	3
16c	101826	M6 x 50 HHCS Blk Zn <i>Used on drive side tilt with Heavy Duty option/spacer</i>	1
17	101822	M6 x 12 HHCS BLKZC w/Patch	1
18	101821	M5 x 25 HHCS Blk Zn	2
19	102783	M3 x 12 HHCS, CL8.8, Blk Zn	1
20	100657	M5 Nylock Nut Blk Zn	2
21	102784	Nut, Nylock, M3, Blk	2
22	102082	Washer Nylon .406IDX.75ODX.040	4
23	101853	M6 Washer Blk Zn	3
24	101835	M6 Lock Washer Blk Zn	5
25	101856	Flat Washer, M5, Blk Zn	1
26	102785	Flat Washer, M3, Blk Zn	1
28	002090	Drive Bushing, Tilt Lock	1
29a	101832	M8 x 90 HHCS Blk Zn	2
29b	102384	M8 x 100 HHCS Blk Zc Part THD <i>Used with Attendant Foot Lock</i>	2
30	100659	M8 Nylock Nut Blk Zn	2

Item Number	Part Number	Description	Quantity
31	001405	Spacer, .69OD x .24ID x .1.01Lg <i>Only used with Heavy Duty option</i>	4