



# Zoid PSV™

The performance cushion of choice for active wheelchair users at moderate risk of tissue breakdown.

SEATING SYSTEMS

Therapists recommend the Zoid PSV for individuals who need a low profile, tapered cushion without a medial thigh separator. Athletes value its lightweight design and vibration impact dampening. On the court. On the track. On the trail.



Tapered design, low profile, stability, comfort, and simplicity have made the Zoid PSV the preferred performance cushion for active wheelchair users. With a height of only 2.5 inches (6 cm), the largest Zoid PSV weighs less than 20 oz (567 g)! Its tapered shape makes it ideal for rigid chairs and its cover is designed to protect the thighs of users with tight hamstrings or who tuck their legs under their chair.

## Zoid PSV™

	<b>12 x 8</b> (30 x 20 cm)	<b>12 x 12</b> (30 x 30 cm)	<b>12 x 14</b> (30 x 35 cm)	<b>14 x 14</b> (35 x 35 cm)
With Mesh Cover	32800	32200	32400	34400
	<b>14 x 16</b> (35 x 40 cm)	<b>16 x 16</b> (40 x 40 cm)	<b>16 x 18</b> (40 x 45 cm)	<b>18 x 18</b> (45 x 45 cm)
With Mesh Cover	34600	36600	36800	38800

## 1. Air-Foam Flotation

Functional areas of the cushion are created by three types of foam: soft foam for the decubitus-sensitive area of the ITs; medium foam for main seat support area; and firm foam for the perimeter.

Bonding Zoid PSV foam to coated fabric makes the cushion hold air. A valve releases air to immerse the user in the foam, the foam conforms to the user, and the user's weight is distributed over the surface of the cushion.

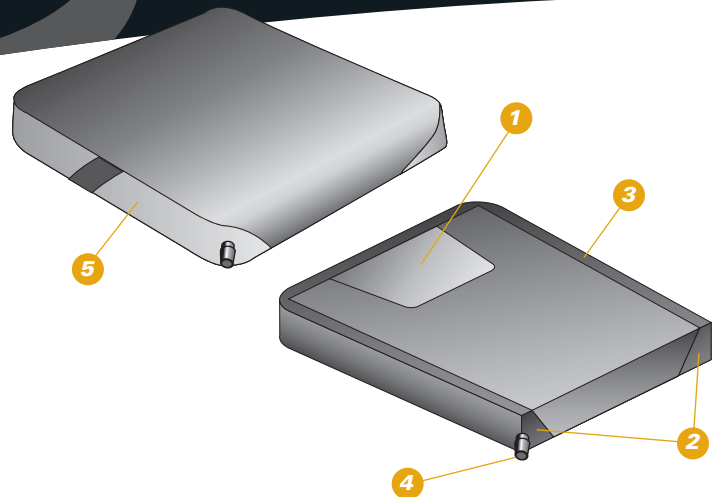
Independent research has shown VARILITE air-foam flotation to be the #1 impact and vibration dampening technology (RESNA 2000).

## 2. Positioning Supports

Extra-firm, beveled foam increases lateral stability and sitting balance, while a large ischial pan protects the pelvis in both anterior and posterior pelvic tilt positions. There's no medial thigh separator, so lower extremities can drift naturally into midline for better fit in a tapered chair.

## 3. Four-way-stretch Fabric

Two types of fabric are bonded to Zoid PSV foam: four-way-stretch knit on the top for maximum conformity



and nylon fabric on the bottom for added strength and durability. Fabrics are puncture and water resistant.

## 4. Valve for Adjusting Air Volume

Zoid PSV uses VARILITE's revolutionary new Pressure Setting Valve (patent pending).

## 5. Cover

Stylish and functional. Four-way-stretch mesh fabric wraps around the front edge to eliminate seams. Reticulated foam inside promotes air exchange and improves pressure distribution. The underside is a rugged nonslip material with hook and loop for added security. Zoid PSV cover meets ISO 7176-16 ignition resistance standards for upholstered wheelchair components. Machine washable.

## VARILITE's PSV takes guesswork out of cushion adjustment and makes it automatic!

The PSV works by sensing the amount of internal cushion pressure. As air is released, internal pressure decreases and the user is immersed in the cushion for effective pressure distribution.

The PSV is marked with three pre-set positions, which provide the best range of immersion for most users. The therapist determines the PSV position that results in optimal pressure distribution for a client. (A therapist can mark a different position on the PSV if the user falls outside the pre-determined range.)

Sitting on a fully inflated Zoid PSV, the client simply opens the PSV to the appropriate position. When the PSV senses that enough air has been released, it automatically shuts off the flow. The client closes the PSV. Adjustment is simple and consistent.

Ease of use improves user compliance. A therapist can select the Zoid PSV with confidence, knowing that a client or caregiver can adjust the Zoid PSV easily for optimal pressure distribution. The first time. Every time.

