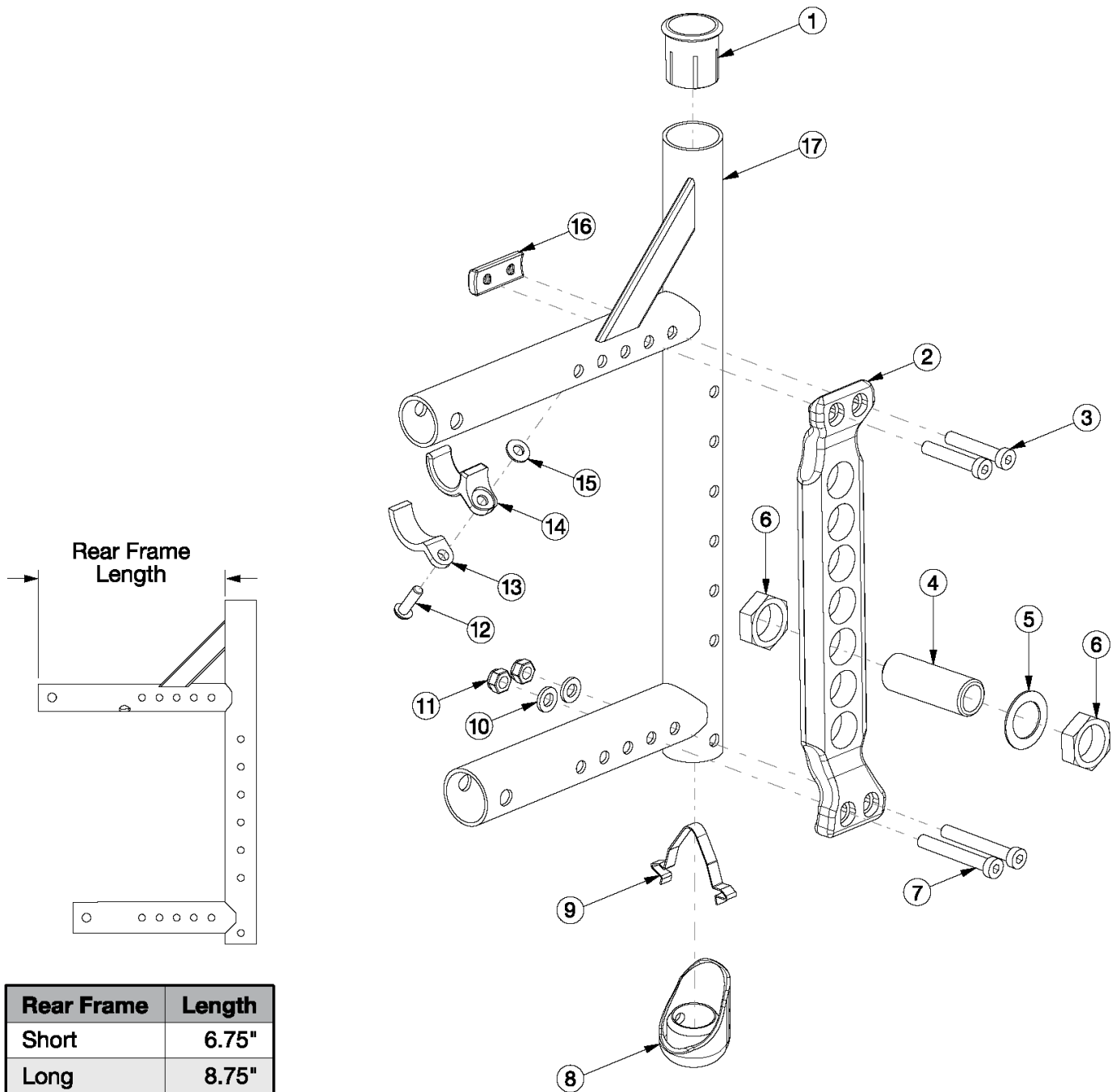


Canada / AADL Adjustable Axle Plate



Rear Frame	Length
Short	6.75"
Long	8.75"

Retrofitting to this axle plate and rear frame requires 300lb or 350lb Weight Capacity Use short frame for 14-17" Seat Depths and long frame for 18-20" Seat Depths

Item Number	Part Number	Description	Quantity
1, 17a, 8, 9	110130_ _ _	Adjustable Axle Plate Rear Frame Assembly, Cat 4/4C, Left Short	1

Item Number	Part Number	Description	Quantity
1, 17b, 8, 9	110131_ _ _	Adjustable Axle Plate Rear Frame Assembly, Cat 4/4C, Right Short	1
1, 17c, 8, 9	110132_ _ _	Adjustable Axle Plate Rear Frame Assembly, Cat 4/4C, Left Long	1
1, 17d, 8, 9	110133_ _ _	Adjustable Axle Plate Rear Frame Assembly, Cat 4/4C, Right Long	1
1-3, 4, 5-16, 17a, 17b	117338_ _ _	Adjustable Axle Plate Retrofit Kit, 14-17" Seat Depths, Incl. Axle Receiver 2.5" Hardware	1
1-3, 4, 5-16, 17c, 17d	117339_ _ _	Adjustable Axle Plate Retrofit Kit, 18-20" Seat Depths, Incl. Axle Receiver 2.5" Hardware	1
1-3, 4, 5-16, 17c, 17d	117340	CA Kit, Black Gloss, Adjustable Axle Plate Retrofit Kit, 18-20" Seat Depths, Incl. Axle Receiver 2.5" Hardware	1
1-3, 4, 5-16, 17a, 17b	117341	CA Kit, Black Gloss, Adjustable Axle Plate Retrofit Kit, 14-17" Seat Depths, Incl. Axle Receiver 2.5" Hardware	1
1-3, 4, 5-16, 17c, 17d	117342	CA Kit, Blue, Adjustable Axle Plate Retrofit Kit, 18-20" Seat Depths, Incl. Axle Receiver 2.5" Hardware	1
1-3, 4, 5-16, 17a, 17b	117343	CA Kit, Blue, Adjustable Axle Plate Retrofit Kit, 14-17" Seat Depths, Incl. Axle Receiver 2.5" Hardware	1
1-3, 4, 5-16, 17c, 17d	117344	CA Kit, Candy Blue, Adjustable Axle Plate Retrofit Kit, 18-20" Seat Depths, Incl. Axle Receiver 2.5" Hardware	1
1-3, 4, 5-16, 17a, 17b	117345	CA Kit, Candy Blue, Adjustable Axle Plate Retrofit Kit, 14-17" Seat Depths, Incl. Axle Receiver 2.5" Hardware	1
12a, 13 - 15	501005	Seat Hook and Support Hardware Kit, Standard, Catalyst <i>Used with Standard or 300 lbs Weight Capacity. This kit contains quantity of 1 each</i>	1
12b, 13 - 15	114528	Seat Hook and Support Hardware Kit, Standard, for Heavy Duty Catalyst <i>Used with Heavy Duty / 350 lbs Weight Capacity. This kit contains quantity of 1 each</i>	1
1	000030	Backrest Sleeve Cat	1
2	111131	Adjustable Axle Plate, Black	1
3	103370	M6 x 35 Low SHCS BLK ZC w/Patch	2
4	114480	Axle Receiver, 2.5" Length <i>Replaced part number 100756</i>	1
5	100583	Axle Plate Washer 18mm	1
6	100514	Axle Receiver Nut M18 x D12 x 8mm	2
7	101123	M6 x 45 Low SHCS BLK ZC	2
8	111308	Adjustable Axle Plate Rear Frame Bumper	1
9	112180	Double Ramp Detent	1

Item Number	Part Number	Description	Quantity
10	100746	M6 Flat Washer Blk Zn	2
11	100658	M6 Nylock Nut Blk Zn	2
12a	100668	M6 x 20 CLS10.9 BTN SHCS ZC w/Patch <i>Used with Standard or 300 lbs Weight Capacity</i>	1
12b	101180	M6 x 20 SHCS BLK ZC <i>Used with Heavy Duty / 350 lbs Weight Capacity</i>	1
13	000004	Seat Hook Support, Catalyst	1
14	000003	Seat Hook, Catalyst	1
15	100831	1/2" Washer OD .040" Thick	1
16	111309	Adjustable Axle Plate Rear Frame Threaded Axle Nut Plate	1