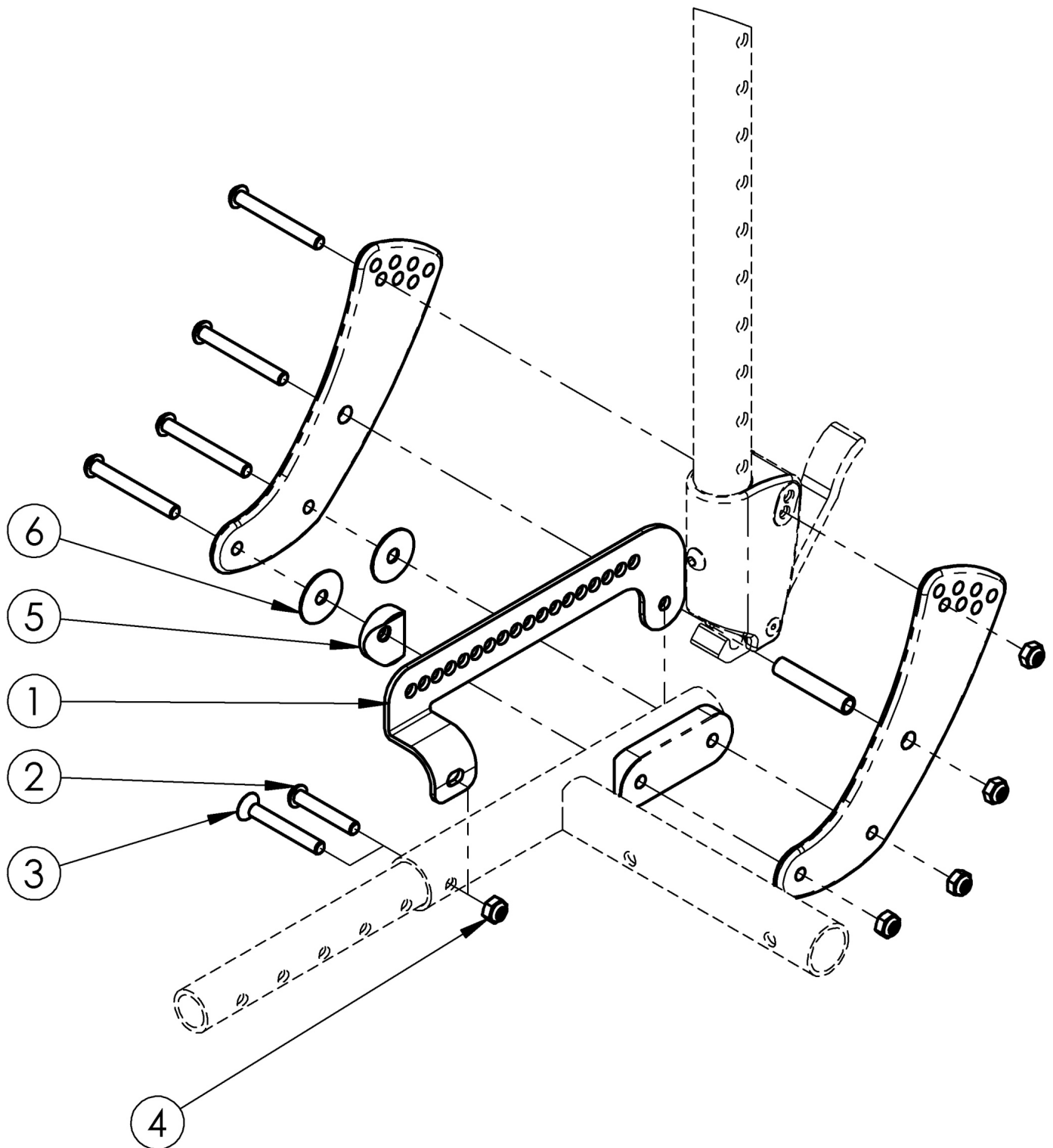


Ki Mobility Belt Mounting Bracket for Focus CR



Item Number	Part Number	Description	Quantity
1a, 1b, 2-6	501170	Ki Mobility Belt Mounting Bracket Kit PAIR	1

Item Number	Part Number	Description	Quantity
1a	001283	Ki Mobility Belt Mounting Bracket Right	1
1b	001284	Ki Mobility Belt Mounting Bracket Left	1
2	101811	M6 x 35 BHCS Blk Zn <i>Used only when T-Arms are present</i>	2
3	101592	M6 x 45 CLS10.9 DIN7991 FHCS BLKZC <i>Not used when T-Arms are present</i>	2
4	100658	M6 Nylock Nut Blk Zn	2
5	000055	Saddle 1"	2
6	102791	Washer Nylon .26"IDx1"ODx.031T	4