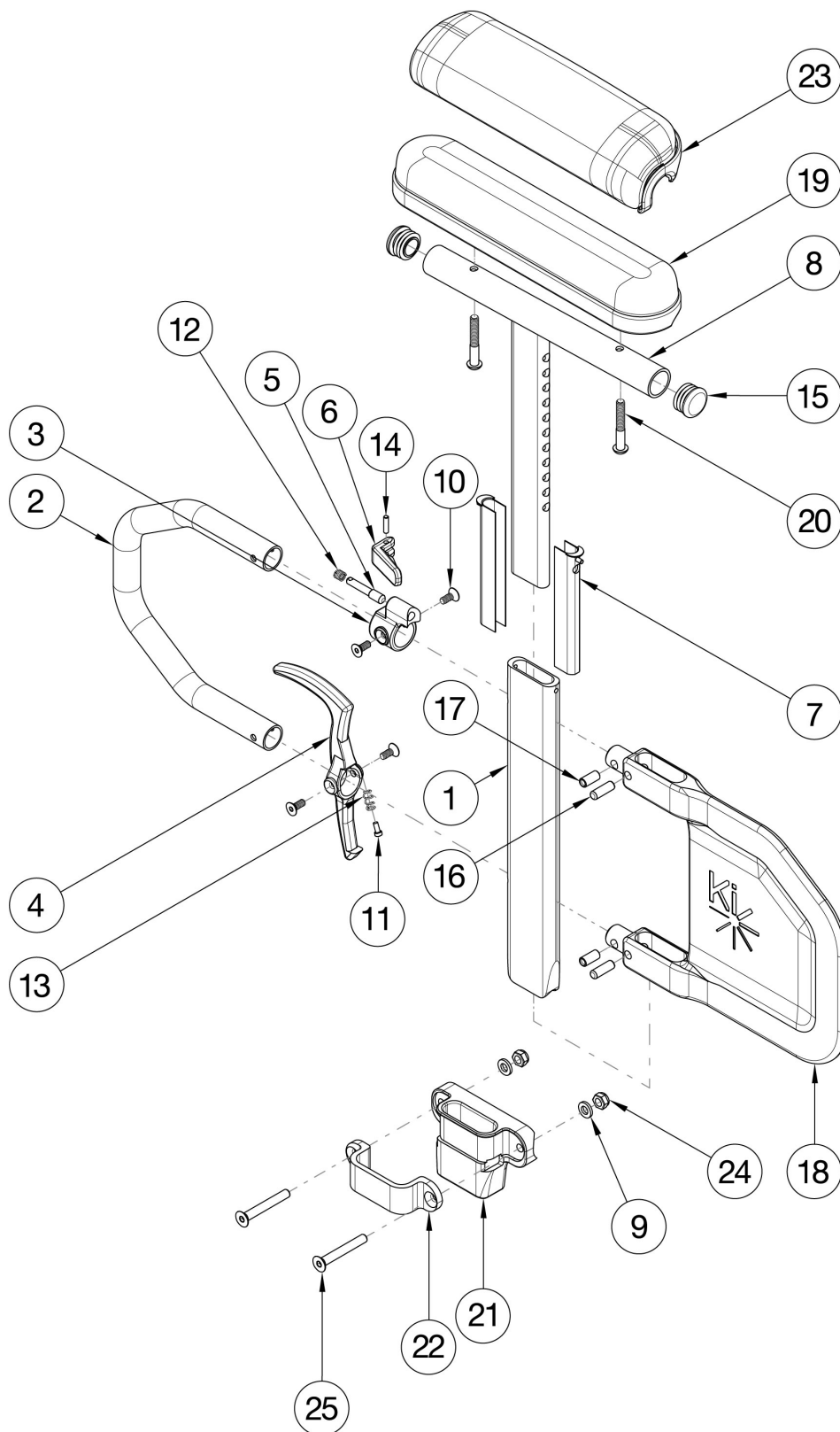


CR45 Height Adjustable Tall T-Arm



If retrofitting, Receivers are needed. If retrofitting and Max Mags are present, spacer 112503 is required which can be found on CR45 Axle Plate page.

Item Number	Part Number	Description	Quantity
1-7, 8a, 9-18, 19b, 20a, 21, 22, 24-25	116719	Height Adjustable Tall T-Arm Assembly w/Short Side Shield and Standard Pad Desk and Receiver Pair, CR45	1
1-7, 8b, 9-18, 19a, 20a, 21, 22, 24-25	116720	Height Adjustable Tall T-Arm Assembly w/Short Side Shield and Standard Pad Full and Receiver Pair, CR45	1
1-7, 8a, 9-18, 20b, 21, 22, 23b, 24-25	116721	Height Adjustable Tall T-Arm Assembly w/Short Side Shield and Waterfall Pad Desk and Receiver Pair, CR45	1
1-7, 8b, 9-18, 20b, 21, 22, 23a, 24-25	116722	Height Adjustable Tall T-Arm Assembly w/Short Side Shield and Waterfall Pad Full and Receiver Pair, CR45	1
1-7, 8a, 9-18, 19b, 20a, 21, 22, 24-25	116715	Height Adjustable Tall T-Arm Assembly w/Short Side Shield and Standard Pad Desk and Receiver, CR45	1
1-7, 8b, 9-18, 19a, 20a, 21, 22, 24-25	116716	Height Adjustable Tall T-Arm Assembly w/Short Side Shield and Standard Pad Full and Receiver, CR45	1
1-7, 8a, 9-18, 20b, 21, 22, 23b, 24-25	116717	Height Adjustable Tall T-Arm Assembly w/Short Side Shield and Waterfall Pad Desk and Receiver, CR45	1
1-7, 8b, 9-18, 20b, 21, 22, 23a, 24-25	116718	Height Adjustable Tall T-Arm Assembly w/Short Side Shield and Waterfall Pad Full and Receiver, CR45	1
1-7, 8a, 10-18, 19b, 20a	116163	Height Adjustable Tall T-Arm Assembly w/Short Side Shield and Std Pad Desk, Pair	1
1-7, 8a, 10-18, 19b, 20a	116162	Height Adjustable Tall T-Arm Assembly w/Short Side Shield and Std Pad Desk	1
1-7, 8b, 10-18, 19a, 20a	116165	Height Adjustable Tall T-Arm Assembly w/Short Side Shield and Std Pad Full, Pair	1
1-7, 8b, 10-18, 19a, 20a	116164	Height Adjustable Tall T-Arm Assembly w/Short Side Shield and Std Pad Full	1
1-7, 8a, 10-18, 20b, 23b	116167	Height Adjustable Tall T-Arm Assembly w/Short Side Shield and Waterfall Pad Desk, Pair	1
1-7, 8a, 10-18, 20b, 23b	116166	Height Adjustable Tall T-Arm Assembly w/Short Side Shield and Waterfall Pad Desk	1
1-7, 8b, 10-18, 20b, 23a	116169	Height Adjustable Tall T-Arm Assembly w/Short Side Shield and Waterfall Pad Full, Pair	1
1-7, 8b, 10-18, 20b, 23a	116168	Height Adjustable Tall T-Arm Assembly w/Short Side Shield and Waterfall Pad Full	1
1-7, 10-14, 16-18	114150	Height Adjustable T-Arm Short Lower Assembly, Tall <i>Does not include t-arm upper, arm pad or arm pad screws</i>	1
1-7, 8a, 10-18	114432	Height Adjustable T-Arm Short Side Shield, Desk, Tall <i>Does not include arm pad or arm pad screws</i>	1
1-7, 8b, 10-18	114433	Height Adjustable T-Arm Short Side Shield, Full, Tall <i>Does not include arm pad or arm pad screws</i>	1
3, 5, 6, 10, 12, 14	116378	Height Adjustable Tall T-Arm Upper Latch Assembly	1

Item Number	Part Number	Description	Quantity
4, 10, 11, 13	116375	Height Adjustable Tall T-Arm Release Lever Assembly	1
9, 21, 22, 24-25	116714	Armrest T-Arm Receiver Assembly CR45	1
16-18	116377	Height Adjustable Tall T-Arm Short Shield Assembly	1
1	113137	Height Adjustable T-Arm Post, Tall	1
2	113138	Height Adjustable T-Arm Transfer Tube, Tall	1
7	000090	Height Adjustable T Armrest Shim	2
8a, 15	116379	Height Adjustable Tall T Armrest Upper Desk w/ Tube End Plug	1
8b, 15	116380	Height Adjustable Tall T Armrest Upper Full w/ Tube End Plug	1
9	100746	M6 Flat Washer Blk Zn	2
10	103522	M5 x 0.8 x 12 FHCS CLS 10.9 Nyl Blk Zn DIN7991	4
11	000152	Height Adjustable T Armrest Release Spring Button	1
13	000135	Height Adjustable T Armrest Release Lever Spring	1
15	100803	Tube End Plug 7/8"	2
16	003641	.25" x .75" Dowel Pin	2
17	003457	M5 x 14mm Barrel Nut	2
19a	100500	Arm Pad Full	1
19b	100501	Arm Pad Desk	1
20a	100696	M5 x 30mm PPH Capscrew <i>Used with Standard Arm Pads</i>	2
20b	100654	M5 x 40 DIN7985 PH Pan HD M/S ZC <i>Used with Waterfall Arm Pads</i>	2
21	000087	Height Adjustable T-Arm Receiver 1"	1
22	000088	Height Adjustable T Armrest Bracket	1
23a	102452	Waterfall Arm Pad Full	1
23b	102521	Waterfall Arm Pad Desk	1
24	100658	M6 Nylock Nut Blk Zn	2
25	101592	M6 x 45 CLS10.9 DIN7991 FHCS BLKZC	2