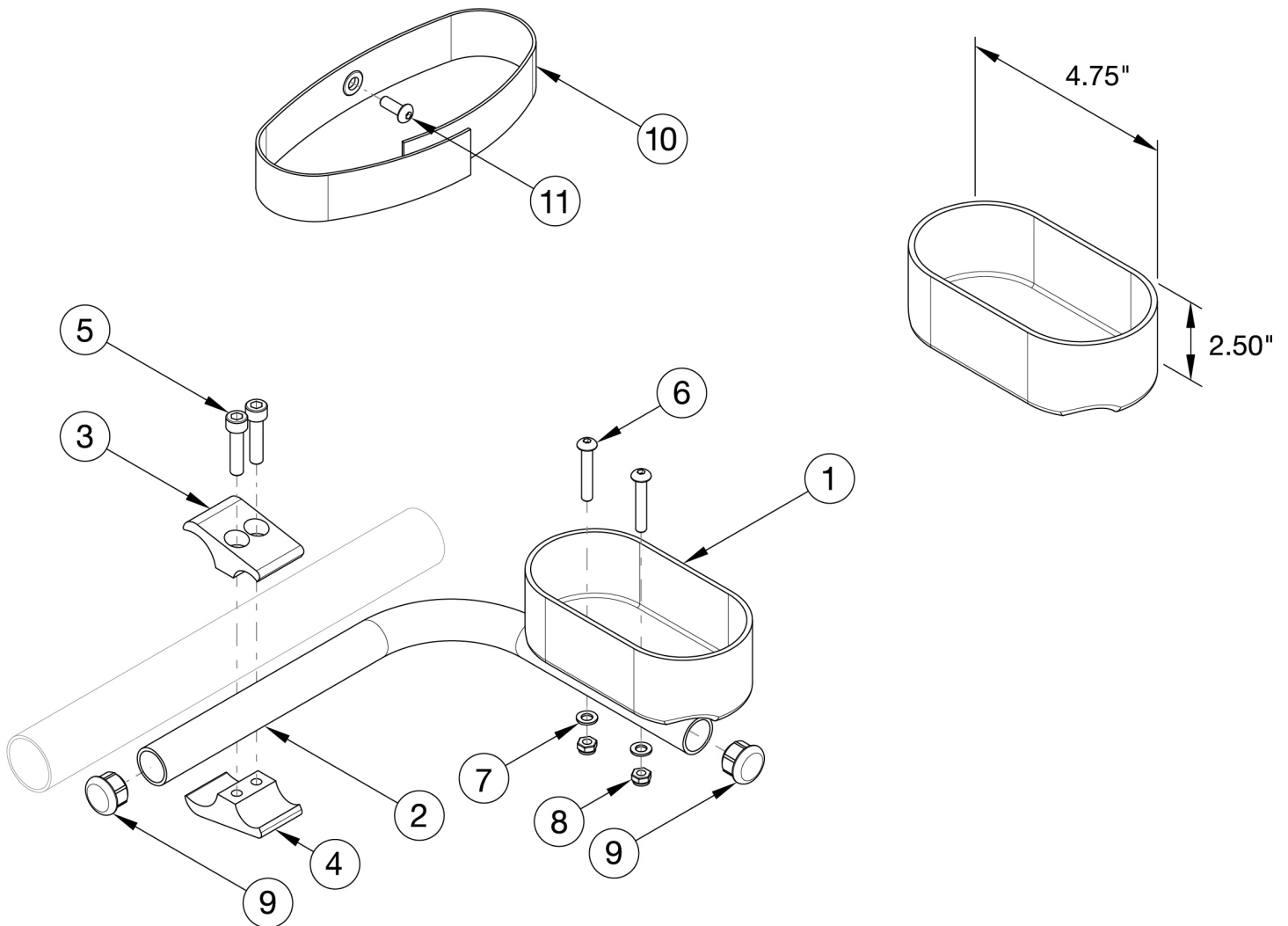


# Rigid Cane and Crutch Holder



Item Number	Part Number	Description	Quantity	Retail
1 - 11	501021	Crutch Holder Assembly, Camber Tube Mount, Rigid	1	\$195.00
1	000917	Crutch Holder Cup	1	\$57.78
2	200550	Crutch Holder Tube Rigid	1	\$30.60
3	000378	Clamp Top 1.125" TSU TI	1	\$18.91
4	000379	Clamp Bottom 1.125" TSU TI	1	\$18.91
5	100780	M6 x 25 SHCS ZC	2	\$2.10
6	101560	M5 x 30 BTN SHCS ZC	2	\$2.10
7	101856	Flat Washer, M5, Blk Zn	2	\$0.53
8	100657	M5 Nylock Nut Blk Zn	2	\$0.53

<b>Item Number</b>	<b>Part Number</b>	<b>Description</b>	<b>Quantity</b>	<b>Retail</b>
9	100638	Tube End Plug 3/4"	2	\$2.10
10	101107	Crutch Holder Velcro Strap	1	\$21.01
11	100734	M5 x 16 PHMS ZC	1	\$1.58