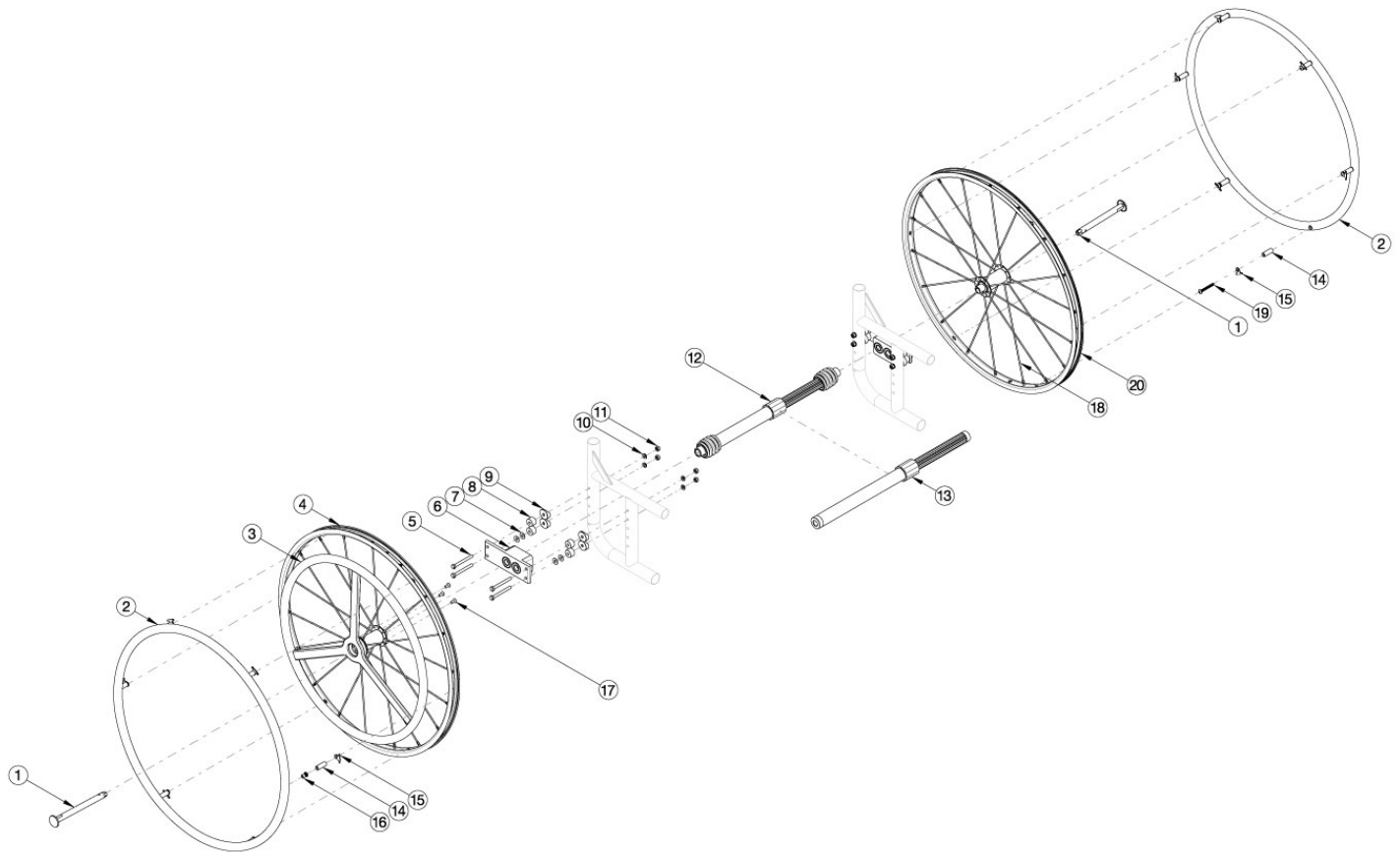


Catalyst / Spark 24" One Arm Drive Quick Release



Most One Arm Drive kits do not include rear tires. If 24" Pneumatic w/ Airless Insert tires are needed, please see kits that include those tires. Reference Catalyst One Arm Drive (Quick Release) Hardware and Drive Shaft Chart to determine which retrofit kit is needed for your configuration. Effective 5/13/2022, all One Arm Drives will be shipped with a close mounted Aluminum Anodized Handrim on the non-drive wheel.

Item Number	Part Number	Description	Quantity
1, 2, 3a, 4, 5a - 5j, 6-8, 9a, 9b, 10, 11, 13a, 14-20	112791	Catalyst Quick Release One Arm Drive Retrofit Kit, 0° Camber, 24" Spoke with Aluminum Drive Handrim, 177-255mm Drive Shaft	1
1, 2, 3a, 4, 5a - 5j, 6-8, 9a, 9b, 10, 11, 13b, 14-20	112792	Catalyst Quick Release One Arm Drive Retrofit Kit, 0° Camber, 24" Spoke with Aluminum Drive Handrim, 225-295mm Drive Shaft	1
1, 2, 3a, 4, 5a - 5j, 6-8, 9a, 9b, 10, 11, 13a, 14-20	112793	Catalyst Quick Release One Arm Drive Retrofit Kit, 0° Camber, 24" Spoke with Aluminum Drive Handrim, 260-370mm Drive Shaft	1
1, 2, 3a, 4, 5a - 5j, 6-8, 9a, 9b, 10, 11, 13d, 14-20	112794	Catalyst Quick Release One Arm Drive Retrofit Kit, 0° Camber, 24" Spoke with Aluminum Drive Handrim, 330-440mm Drive Shaft	1

Item Number	Part Number	Description	Quantity
1, 2, 3a, 4, 5a - 5j, 6-8, 9a, 9b, 10, 11, 13e, 14-20	112795	Catalyst Quick Release One Arm Drive Retrofit Kit, 0° Camber, 24" Spoke with Aluminum Drive Handrim, 421-491mm Drive Shaft	1
1, 2, 3a, 4, 5a - 5j, 6-8, 9a, 9b, 10, 11, 13b, 14-20	112796	Catalyst Quick Release One Arm Drive Retrofit Kit, 0° Camber, 24" Spoke with Aluminum Drive Handrim, 484-595mm Drive Shaft	1
1, 2, 3a, 4, 5a - 5j, 6-8, 9a, 9b, 10, 11, 12a, 14-20	112797	Catalyst Quick Release One Arm Drive Retrofit Kit, 2° Camber, 24" Spoke with Aluminum Drive Handrim, 180-210mm Drive Shaft	1
1, 2, 3a, 4, 5a - 5j, 6-8, 9a, 9b, 10, 11, 12b, 14-20	112798	Catalyst Quick Release One Arm Drive Retrofit Kit, 2° Camber, 24" Spoke with Aluminum Drive Handrim, 195-235mm Drive Shaft	1
1, 2, 3a, 4, 5a - 5j, 6-8, 9a, 9b, 10, 11, 12, 14-20	112799	Catalyst Quick Release One Arm Drive Retrofit Kit, 2° Camber, 24" Spoke with Aluminum Drive Handrim, 220-280mm Drive Shaft	1
1, 2, 3a, 4, 5a - 5j, 6-8, 9a, 9b, 10, 11, 12d, 14-20	112800	Catalyst Quick Release One Arm Drive Retrofit Kit, 2° Camber, 24" Spoke with Aluminum Drive Handrim, 270-330mm Drive Shaft	1
1, 2, 3a, 4, 5a - 5j, 6-8, 9a, 9b, 10, 11, 12e, 14-20	112801	Catalyst Quick Release One Arm Drive Retrofit Kit, 2° Camber, 24" Spoke with Aluminum Drive Handrim, 295-370mm Drive Shaft	1
1, 2, 3a, 4, 5a - 5j, 6-8, 9a, 9b, 10, 11, 12f, 14-20	112802	Catalyst Quick Release One Arm Drive Retrofit Kit, 2° Camber, 24" Spoke with Aluminum Drive Handrim, 350-460mm Drive Shaft	1
1, 2, 3a, 4, 5a - 5j, 6-8, 9a, 9b, 10, 11, 12g, 14-20	112803	Catalyst Quick Release One Arm Drive Retrofit Kit, 2° Camber, 24" Spoke with Aluminum Drive Handrim, 420-530mm Drive Shaft	1
1, 2, 3a, 4, 5a - 5j, 6-8, 9a, 9b, 10, 11, 13a, 14-20	118259	Catalyst Quick Release One Arm Drive Retrofit Kit, 0° Camber, 24" Spoke with Aluminum Drive Handrim, Pneumatic w/ Airless Insert Tire (Black), 177-255mm Drive Shaft	1
1, 2, 3a, 4, 5a - 5j, 6-8, 9a, 9b, 10, 11, 13b, 14-20	118260	Catalyst Quick Release One Arm Drive Retrofit Kit, 0° Camber, 24" Spoke with Aluminum Drive Handrim, Pneumatic w/ Airless Insert Tire (Black), 225-295mm Drive Shaft	1
1, 2, 3a, 4, 5a - 5j, 6-8, 9a, 9b, 10, 11, 13a, 14-20	118261	Catalyst Quick Release One Arm Drive Retrofit Kit, 0° Camber, 24" Spoke with Aluminum Drive Handrim, Pneumatic w/ Airless Insert Tire (Black), 260-370mm Drive Shaft	1
1, 2, 3a, 4, 5a - 5j, 6-8, 9a, 9b, 10, 11, 13d, 14-20	118262	Catalyst Quick Release One Arm Drive Retrofit Kit, 0° Camber, 24" Spoke with Aluminum Drive Handrim, Pneumatic w/ Airless Insert Tire (Black), 330-440mm Drive Shaft	1
1, 2, 3a, 4, 5a - 5j, 6-8, 9a, 9b, 10, 11, 13e, 14-20	118263	Catalyst Quick Release One Arm Drive Retrofit Kit, 0° Camber, 24" Spoke with Aluminum Drive Handrim, Pneumatic w/ Airless Insert Tire (Black), 421-491mm Drive Shaft	1

Item Number	Part Number	Description	Quantity
1, 2, 3a, 4, 5a - 5j, 6-8, 9a, 9b, 10, 11, 13b, 14-20	118264	Catalyst Quick Release One Arm Drive Retrofit Kit, 0° Camber, 24" Spoke with Aluminum Drive Handrim, Pneumatic w/ Airless Insert Tire (Black), 484-595mm Drive Shaft	1
1, 2, 3a, 4, 5a - 5j, 6-8, 9a, 9b, 10, 11, 12a, 14-20	118265	Catalyst Quick Release One Arm Drive Retrofit Kit, 2° Camber, 24" Spoke with Aluminum Drive Handrim, Pneumatic w/ Airless Insert Tire (Black), 180-210mm Drive Shaft	1
1, 2, 3a, 4, 5a - 5j, 6-8, 9a, 9b, 10, 11, 12b, 14-20	118266	Catalyst Quick Release One Arm Drive Retrofit Kit, 2° Camber, 24" Spoke with Aluminum Drive Handrim, Pneumatic w/ Airless Insert Tire (Black), 195-235mm Drive Shaft	1
1, 2, 3a, 4, 5a - 5j, 6-8, 9a, 9b, 10, 11, 12, 14-20	118267	Catalyst Quick Release One Arm Drive Retrofit Kit, 2° Camber, 24" Spoke with Aluminum Drive Handrim, Pneumatic w/ Airless Insert Tire (Black), 220-280mm Drive Shaft	1
1, 2, 3a, 4, 5a - 5j, 6-8, 9a, 9b, 10, 11, 12d, 14-20	118268	Catalyst Quick Release One Arm Drive Retrofit Kit, 2° Camber, 24" Spoke with Aluminum Drive Handrim, Pneumatic w/ Airless Insert Tire (Black), 270-330mm Drive Shaft	1
1, 2, 3a, 4, 5a - 5j, 6-8, 9a, 9b, 10, 11, 12e, 14-20	118269	Catalyst Quick Release One Arm Drive Retrofit Kit, 2° Camber, 24" Spoke with Aluminum Drive Handrim, Pneumatic w/ Airless Insert Tire (Black), 295-370mm Drive Shaft	1
1, 2, 3a, 4, 5a - 5j, 6-8, 9a, 9b, 10, 11, 12f, 14-20	118270	Catalyst Quick Release One Arm Drive Retrofit Kit, 2° Camber, 24" Spoke with Aluminum Drive Handrim, Pneumatic w/ Airless Insert Tire (Black), 350-460mm Drive Shaft	1
1, 2, 3a, 4, 5a - 5j, 6-8, 9a, 9b, 10, 11, 12g, 14-20	118271	Catalyst Quick Release One Arm Drive Retrofit Kit, 2° Camber, 24" Spoke with Aluminum Drive Handrim, Pneumatic w/ Airless Insert Tire (Black), 420-530mm Drive Shaft	1
1, 2, 3b, 4, 5a - 5j, 6-8, 9a, 9b, 10, 11, 13a, 14-20	115262	Catalyst Quick Release One Arm Drive Retrofit Kit, 0° Camber, 24" Spoke with Poly Coated Drive Handrim, 177-255mm Drive Shaft	1
1, 2, 3b, 4, 5a - 5j, 6-8, 9a, 9b, 10, 11, 13b, 14-20	115263	Catalyst Quick Release One Arm Drive Retrofit Kit, 0° Camber, 24" Spoke with Poly Coated Drive Handrim, 225-295mm Drive Shaft	1
1, 2, 3b, 4, 5a - 5j, 6-8, 9a, 9b, 10, 11, 13a, 14-20	115264	Catalyst Quick Release One Arm Drive Retrofit Kit, 0° Camber, 24" Spoke with Poly Coated Drive Handrim, 260-370mm Drive Shaft	1
1, 2, 3b, 4, 5a - 5j, 6-8, 9a, 9b, 10, 11, 13d, 14-20	115265	Catalyst Quick Release One Arm Drive Retrofit Kit, 0° Camber, 24" Spoke with Poly Coated Drive Handrim, 330-440mm Drive Shaft	1
1, 2, 3b, 4, 5a - 5j, 6-8, 9a, 9b, 10, 11, 13e, 14-20	115266	Catalyst Quick Release One Arm Drive Retrofit Kit, 0° Camber, 24" Spoke with Poly Coated Drive Handrim, 421-491mm Drive Shaft	1
1, 2, 3b, 4, 5a - 5j, 6-8, 9a, 9b, 10, 11, 13b, 14-20	115267	Catalyst Quick Release One Arm Drive Retrofit Kit, 0° Camber, 24" Spoke with Poly Coated Drive Handrim, 485-595mm Drive Shaft	1

Item Number	Part Number	Description	Quantity
1, 2, 3b, 4, 5a - 5j, 6-8, 9a, 9b, 10, 11, 12a, 14-20	115268	Catalyst Quick Release One Arm Drive Retrofit Kit, 2° Camber, 24" Spoke with Poly Coated Drive Handrim, 180-210mm Drive Shaft	1
1, 2, 3b, 4, 5a - 5j, 6-8, 9a, 9b, 10, 11, 12b, 14-20	115269	Catalyst Quick Release One Arm Drive Retrofit Kit, 2° Camber, 24" Spoke with Poly Coated Drive Handrim, 195-235mm Drive Shaft	1
1, 2, 3b, 4, 5a - 5j, 6-8, 9a, 9b, 10, 11, 12, 14-20	115270	Catalyst Quick Release One Arm Drive Retrofit Kit, 2° Camber, 24" Spoke with Poly Coated Drive Handrim, 220-280mm Drive Shaft	1
1, 2, 3b, 4, 5a - 5j, 6-8, 9a, 9b, 10, 11, 12d, 14-20	115271	Catalyst Quick Release One Arm Drive Retrofit Kit, 2° Camber, 24" Spoke with Poly Coated Drive Handrim, 270-330mm Drive Shaft	1
1, 2, 3b, 4, 5a - 5j, 6-8, 9a, 9b, 10, 11, 12e, 14-20	115272	Catalyst Quick Release One Arm Drive Retrofit Kit, 2° Camber, 24" Spoke with Poly Coated Drive Handrim, 295-370mm Drive Shaft	1
1, 2, 3b, 4, 5a - 5j, 6-8, 9a, 9b, 10, 11, 12f, 14-20	115273	Catalyst Quick Release One Arm Drive Retrofit Kit, 2° Camber, 24" Spoke with Poly Coated Drive Handrim, 350-460mm Drive Shaft	1
1, 2, 3b, 4, 5a - 5j, 6-8, 9a, 9b, 10, 11, 12g, 14-20	115274	Catalyst Quick Release One Arm Drive Retrofit Kit, 2° Camber, 24" Spoke with Poly Coated Drive Handrim, 420-530mm Drive Shaft	1
1, 2, 3b, 4, 5a - 5j, 6-8, 9a, 9b, 10, 11, 13a, 14-20	118272	Catalyst Quick Release One Arm Drive Retrofit Kit, 0° Camber, 24" Spoke with Poly Coated Drive Handrim, Pneumatic w/ Airless Insert Tire (Black), 177-255mm Drive Shaft	1
1, 2, 3b, 4, 5a - 5j, 6-8, 9a, 9b, 10, 11, 13b, 14-20	118273	Catalyst Quick Release One Arm Drive Retrofit Kit, 0° Camber, 24" Spoke with Poly Coated Drive Handrim, Pneumatic w/ Airless Insert Tire (Black), 225-295mm Drive Shaft	1
1, 2, 3b, 4, 5a - 5j, 6-8, 9a, 9b, 10, 11, 13a, 14-20	118274	Catalyst Quick Release One Arm Drive Retrofit Kit, 0° Camber, 24" Spoke with Poly Coated Drive Handrim, Pneumatic w/ Airless Insert Tire (Black), 260-370mm Drive Shaft	1
1, 2, 3b, 4, 5a - 5j, 6-8, 9a, 9b, 10, 11, 13d, 14-20	118275	Catalyst Quick Release One Arm Drive Retrofit Kit, 0° Camber, 24" Spoke with Poly Coated Drive Handrim, Pneumatic w/ Airless Insert Tire (Black), 330-440mm Drive Shaft	1
1, 2, 3b, 4, 5a - 5j, 6-8, 9a, 9b, 10, 11, 13e, 14-20	118276	Catalyst Quick Release One Arm Drive Retrofit Kit, 0° Camber, 24" Spoke with Poly Coated Drive Handrim, Pneumatic w/ Airless Insert Tire (Black), 421-491mm Drive Shaft	1
1, 2, 3b, 4, 5a - 5j, 6-8, 9a, 9b, 10, 11, 13b, 14-20	118277	Catalyst Quick Release One Arm Drive Retrofit Kit, 0° Camber, 24" Spoke with Poly Coated Drive Handrim, Pneumatic w/ Airless Insert Tire (Black), 484-595mm Drive Shaft	1
1, 2, 3b, 4, 5a - 5j, 6-8, 9a, 9b, 10, 11, 12a, 14-20	118278	Catalyst Quick Release One Arm Drive Retrofit Kit, 2° Camber, 24" Spoke with Poly Coated Drive Handrim, Pneumatic w/ Airless Insert Tire (Black), 180-210mm Drive Shaft	1

Item Number	Part Number	Description	Quantity
1, 2, 3b, 4, 5a - 5j, 6-8, 9a, 9b, 10, 11, 12b, 14-20	118279	Catalyst Quick Release One Arm Drive Retrofit Kit, 2° Camber, 24" Spoke with Poly Coated Drive Handrim, Pneumatic w/ Airless Insert Tire (Black), 195-235mm Drive Shaft	1
1, 2, 3b, 4, 5a - 5j, 6-8, 9a, 9b, 10, 11, 12, 14-20	118280	Catalyst Quick Release One Arm Drive Retrofit Kit, 2° Camber, 24" Spoke with Poly Coated Drive Handrim, Pneumatic w/ Airless Insert Tire (Black), 220-280mm Drive Shaft	1
1, 2, 3b, 4, 5a - 5j, 6-8, 9a, 9b, 10, 11, 12d, 14-20	118281	Catalyst Quick Release One Arm Drive Retrofit Kit, 2° Camber, 24" Spoke with Poly Coated Drive Handrim, Pneumatic w/ Airless Insert Tire (Black), 270-330mm Drive Shaft	1
1, 2, 3b, 4, 5a - 5j, 6-8, 9a, 9b, 10, 11, 12e, 14-20	118282	Catalyst Quick Release One Arm Drive Retrofit Kit, 2° Camber, 24" Spoke with Poly Coated Drive Handrim, Pneumatic w/ Airless Insert Tire (Black), 295-370mm Drive Shaft	1
1, 2, 3b, 4, 5a - 5j, 6-8, 9a, 9b, 10, 11, 12f, 14-20	118283	Catalyst Quick Release One Arm Drive Retrofit Kit, 2° Camber, 24" Spoke with Poly Coated Drive Handrim, Pneumatic w/ Airless Insert Tire (Black), 350-460mm Drive Shaft	1
1, 2, 3b, 4, 5a - 5j, 6-8, 9a, 9b, 10, 11, 12g, 14-20	118284	Catalyst Quick Release One Arm Drive Retrofit Kit, 2° Camber, 24" Spoke with Poly Coated Drive Handrim, Pneumatic w/ Airless Insert Tire (Black), 420-530mm Drive Shaft	1
5a-5j, 6 - 8, 9a, 9b, 10, 11	112898	Catalyst/Spark Quick Release One Arm Drive Attaching Hardware Kit <i>Includes all fasteners required to attach Quick Release One Arm Drive regardless of chair configuration</i>	1
1, 2, 14b, 15, 19, 20c	119589	Quick Release One Arm Drive, 24" Spoke Wheel with Axle (Driven Side) and Close Mounted Handrim	1
1, 3a, 4, 17	112901	Quick Release One Arm Drive Drive, 24" Spoke Wheel with Axle and Aluminum Drive Handrim	1
1, 3b, 4, 17	115288	Quick Release One Arm Drive Drive, 24" Spoke Wheel with Axle and Poly Coated Drive Handrim	1
14a, 15, 16	502168	Handrim Hardware Kit, 6 Rivet Nut, EACH	1
2.0	200349	Handrim Hard Anodized 6 Rivet Nut 24" <i>Does not include attaching hardware</i>	1
2, 14b, 15, 19	116449	Aluminum Anodized Handrim 6 Rivet Nut 24" with Close Mount Hardware, Non-Drive Side	1
3a	111520	Quick Release One Arm Drive, Aluminum Drive Side Handrim for 24" Wheel <i>Does not include attaching hardware</i>	1
3b	112435	Quick Release One Arm Drive, Poly Coated Drive Side Handrim for 24" Wheel <i>Does not include attaching hardware</i>	1
3c	118248	Quick Release One Arm Drive, Aluminum Drive Side Handrim for 24" Wheel with Micro Grip <i>Does not include attaching hardware</i>	1
1, 4b	118236	24" Spoke Wheel for One Arm Drive with Axle, Pneumatic Tire (Black) w/ Airless Insert, (Drive Side) <i>Does not include handrim</i>	1
5a	100676	M6 x 55 CLS10.9 DIN931 HHCS ZC	4

Item Number	Part Number	Description	Quantity
		<i>Reference Hardware and Drive Shaft Chart for usage</i>	
5b	100677	M6 x 60 CLS10.9 DIN931 HHCS ZC <i>Reference Hardware and Drive Shaft Chart for usage</i>	2
5c	100679	M6 x 65 CLS 8.8 DIN931 HHCS ZC <i>Reference Hardware and Drive Shaft Chart for usage</i>	4
5d	101826	M6 x 50 HHCS Blk Zn <i>Reference Hardware and Drive Shaft Chart for usage</i>	2
5e	100680	M6 x 70 CLS 8.8 DIN931 HHCS ZC <i>Reference Hardware and Drive Shaft Chart for usage</i>	2
5f	102996	M6 x 85mm HHCS Blk Zn <i>Reference Hardware and Drive Shaft Chart for usage</i>	2
5g	100660	M6 x 80mm CLS8.8 DIN931 HHCS ZC <i>Reference Hardware and Drive Shaft Chart for usage</i>	2
5h	100544	M6 x 75 CLS 8.8 DIN931 HHCS ZC <i>Reference Hardware and Drive Shaft Chart for usage</i>	2
5i	100704	M6 x 90 CLS8.8 DIN931 HHCS ZC <i>Reference Hardware and Drive Shaft Chart for usage</i>	2
5j	100674	M6 x 45 CLS10.9 DIN931 HHCS ZC <i>Reference Hardware and Drive Shaft Chart for usage</i>	2
6	003207	One Arm Drive Catalyst Axle Plate	1
7	100763	Washer #12 Thin	4
8	003172	One Arm Drive Cat Axle Plate Spacer <i>Reference Hardware and Drive Shaft Chart for usage</i>	4
9a	000056	Saddle 1 1/8" <i>Used with Curved Rear Frames</i>	4
9b	000055	Saddle 1" <i>Used with Depth Adjustable / Spark Rear Frames</i>	4
10	100746	M6 Flat Washer Blk Zn	4
11	100658	M6 Nylock Nut Blk Zn	4
12a	111627	One Arm Drive - Quick Release Camber Drive Shaft 180-210mm <i>Used when 2° camber is present. Reference Hardware and Drive Shaft Chart for usage</i>	1
12b	111628	One Arm Drive - Quick Release Camber Drive Shaft 195-235mm <i>Used when 2° camber is present. Reference Hardware and Drive Shaft Chart for usage</i>	1
12c	111498	One Arm Drive - Quick Release Camber Drive Shaft 220-280mm	1

Item Number	Part Number	Description	Quantity
		<i>Used when 2° camber is present. Reference Hardware and Drive Shaft Chart for usage</i>	
12d	111499	One Arm Drive - Quick Release Camber Drive Shaft 270-330mm <i>Used when 2° camber is present. Reference Hardware and Drive Shaft Chart for usage</i>	1
12e	111500	One Arm Drive - Quick Release Camber Drive Shaft 295-370mm <i>Used when 2° camber is present. Reference Hardware and Drive Shaft Chart for usage</i>	1
12f	111501	One Arm Drive - Quick Release Camber Drive Shaft 350-460mm <i>Used when 2° camber is present. Reference Hardware and Drive Shaft Chart for usage</i>	1
12g	111502	One Arm Drive - Quick Release Camber Drive Shaft 420-530mm <i>Used when 2° camber is present. Reference Hardware and Drive Shaft Chart for usage</i>	1
13a	111503	One Arm Drive - Quick Release Zero Camber Drive Shaft 177-255mm <i>Used when 0° camber is present. Reference Hardware and Drive Shaft Chart for usage</i>	1
13b	111504	One Arm Drive - Quick Release Zero Camber Drive Shaft 225-295mm <i>Used when 0° camber is present. Reference Hardware and Drive Shaft Chart for usage</i>	1
13a	111505	One Arm Drive - Quick Release Zero Camber Drive Shaft 260-370mm <i>Used when 0° camber is present. Reference Hardware and Drive Shaft Chart for usage</i>	1
13d	111506	One Arm Drive - Quick Release Zero Camber Drive Shaft 330-440mm <i>Used when 0° camber is present. Reference Hardware and Drive Shaft Chart for usage</i>	1
13e	111507	One Arm Drive - Quick Release Zero Camber Drive Shaft 421-491mm <i>Used when 0° camber is present. Reference Hardware and Drive Shaft Chart for usage</i>	1
13b	111860	One Arm Drive - Quick Release Zero Camber/Camber Drive Shaft 485-595mm <i>Used when 0° camber is present. Reference Hardware and Drive Shaft Chart for usage</i>	1
14a	100653	Handrim Spacer Spoke	6
15	100698	Handrim Tab	6
16	100654	M5 x 40 DIN7985 PH Pan HD M/S ZC	6
17	103522	M5 x 0.8 x 12 FHCS CLS 10.9 Nyl Blk Zn DIN7991	3
18.0	111515	Replacement Spoke, Quick Release One Arm Drive, 24"	1
19	102616	M5 X 25 BHCS BLK ZC	1
1, 20, 2, 14b, 15, 19	118237	24" Spoke Wheel for One Arm Drive with Axle, Pneumatic Tire (Black) w/ Airless Insert, (Driven Side) and Close Mount Handrim	1

DRIVE SHAFT LENGTH BY CONFIGURATION				
CATALYST SEAT WIDTH	ARMRESTS	CAMBER	PART NUMBER	DESCRIPTION
11"	NO ARMS, FLIP-UP & SWING AWAY	0°	111503	QUICK RELEASE OAD ZERO CAMBER DRIVE SHAFT 177-255mm
11"	FLIP BACK & HA T-ARMS (SADDLES + SPACERS REQUIRED)	0°	111503	QUICK RELEASE OAD ZERO CAMBER DRIVE SHAFT 177-255mm
11"	NO ARMS, FLIP-UP & SWING AWAY	2°	111627	QUICK RELEASE OAD CAMBER DRIVE SHAFT 180-210mm
11"	FLIP BACK & HA T-ARMS (SADDLES + SPACERS REQUIRED)	2°	111628	QUICK RELEASE OAD CAMBER DRIVE SHAFT 195-235mm
12"	NO ARMS, FLIP-UP & SWING AWAY	0°	111503	QUICK RELEASE OAD ZERO CAMBER DRIVE SHAFT 177-255mm
12"	FLIP BACK & HA T-ARMS (SADDLES + SPACERS REQUIRED)	0°	111503	QUICK RELEASE OAD ZERO CAMBER DRIVE SHAFT 177-255mm
12"	NO ARMS, FLIP-UP & SWING AWAY	2°	111628	QUICK RELEASE OAD CAMBER DRIVE SHAFT 195-235mm
12"	FLIP BACK & HA T-ARMS (SADDLES + SPACERS REQUIRED)	2°	111498	QUICK RELEASE OAD CAMBER DRIVE SHAFT 220-280mm
13"	NO ARMS, FLIP-UP & SWING AWAY	0°	111504	QUICK RELEASE OAD ZERO CAMBER DRIVE SHAFT 225-295mm
13"	FLIP BACK & HA T-ARMS (SADDLES + SPACERS REQUIRED)	0°	111504	QUICK RELEASE OAD ZERO CAMBER DRIVE SHAFT 225-295mm
13"	NO ARMS, FLIP-UP & SWING AWAY	2°	111498	QUICK RELEASE OAD CAMBER DRIVE SHAFT 220-280mm
13"	FLIP BACK & HA T-ARMS (SADDLES + SPACERS REQUIRED)	2°	111498	QUICK RELEASE OAD CAMBER DRIVE SHAFT 220-280mm
14"	NO ARMS, FLIP-UP & SWING AWAY	0°	111504	QUICK RELEASE OAD ZERO CAMBER DRIVE SHAFT 225-295mm
14"	FLIP BACK & HA T-ARMS (SADDLES + SPACERS REQUIRED)	0°	111504	QUICK RELEASE OAD ZERO CAMBER DRIVE SHAFT 225-295mm
14"	NO ARMS, FLIP-UP & SWING AWAY	2°	#111499	QUICK RELEASE OAD CAMBER DRIVE SHAFT 270-330mm
14"	FLIP BACK & HA T-ARMS (SADDLES + SPACERS REQUIRED)	2°	111499	QUICK RELEASE OAD CAMBER DRIVE SHAFT 270-330mm
15"	NO ARMS, FLIP-UP & SWING AWAY	0°	111505	QUICK RELEASE OAD ZERO CAMBER DRIVE SHAFT 260-370mm
15"	FLIP BACK & HA T-ARMS (SADDLES + SPACERS REQUIRED)	0°	111505	QUICK RELEASE OAD ZERO CAMBER DRIVE SHAFT 260-370mm
15"	NO ARMS, FLIP-UP & SWING AWAY	2°	111499	QUICK RELEASE OAD CAMBER DRIVE SHAFT 270-330mm
15"	FLIP BACK & HA T-ARMS (SADDLES + SPACERS REQUIRED)	2°	111499	QUICK RELEASE OAD CAMBER DRIVE SHAFT 270-330mm
16"	NO ARMS, FLIP-UP & SWING AWAY	0°	111505	QUICK RELEASE OAD ZERO CAMBER DRIVE SHAFT 260-370mm
16"	FLIP BACK & HA T-ARMS (SADDLES + SPACERS REQUIRED)	0°	111505	QUICK RELEASE OAD ZERO CAMBER DRIVE SHAFT 260-370mm
16"	NO ARMS, FLIP-UP & SWING AWAY	2°	111500	QUICK RELEASE OAD CAMBER DRIVE SHAFT 295-370mm
16"	FLIP BACK & HA T-ARMS (SADDLES + SPACERS REQUIRED)	2°	111500	QUICK RELEASE OAD CAMBER DRIVE SHAFT 295-370mm

#FOR THIS CONFIGURATION, ONE WHEEL MUST BE REMOVED BEFORE THE DRIVE SHAFT CAN BE INSTALLED. THE SECOND WHEEL CAN BE INSTALLED ONCE THE DRIVE SHAFT IS IN POSITION.

DRIVE SHAFT LENGTH BY CONFIGURATION				
CATALYST SEAT WIDTH	ARMRESTS	CAMBER	PART NUMBER	DESCRIPTION
17"	NO ARMS, FLIP-UP & SWING AWAY	0°	111506	QUICK RELEASE OAD ZERO CAMBER DRIVE SHAFT 330-440mm
17"	FLIP BACK & HA T-ARMS (SADDLES + SPACERS REQUIRED)	0°	111505	QUICK RELEASE OAD ZERO CAMBER DRIVE SHAFT 260-370mm
17"	NO ARMS, FLIP-UP & SWING AWAY	2°	111500	QUICK RELEASE OAD CAMBER DRIVE SHAFT 295-370mm
17"	FLIP BACK & HA T-ARMS (SADDLES + SPACERS REQUIRED)	2°	111501	QUICK RELEASE OAD CAMBER DRIVE SHAFT 350-460mm
18"	NO ARMS, FLIP-UP & SWING AWAY	0°	111506	QUICK RELEASE OAD ZERO CAMBER DRIVE SHAFT 330-440mm
18"	FLIP BACK & HA T-ARMS (SADDLES + SPACERS REQUIRED)	0°	111506	QUICK RELEASE OAD ZERO CAMBER DRIVE SHAFT 330-440mm
18"	NO ARMS, FLIP-UP & SWING AWAY	2°	111501	QUICK RELEASE OAD CAMBER DRIVE SHAFT 350-460mm
18"	FLIP BACK & HA T-ARMS (SADDLES + SPACERS REQUIRED)	2°	111501	QUICK RELEASE OAD CAMBER DRIVE SHAFT 350-460mm
19"	NO ARMS, FLIP-UP & SWING AWAY	0°	111506	QUICK RELEASE OAD ZERO CAMBER DRIVE SHAFT 330-440mm
19"	FLIP BACK & HA T-ARMS (SADDLES + SPACERS REQUIRED)	0°	111506	QUICK RELEASE OAD ZERO CAMBER DRIVE SHAFT 330-440mm
19"	NO ARMS, FLIP-UP & SWING AWAY	2°	111501	QUICK RELEASE OAD CAMBER DRIVE SHAFT 350-460mm
19"	FLIP BACK & HA T-ARMS (SADDLES + SPACERS REQUIRED)	2°	111501	QUICK RELEASE OAD CAMBER DRIVE SHAFT 350-460mm
20"	NO ARMS, FLIP-UP & SWING AWAY	0°	111506	QUICK RELEASE OAD ZERO CAMBER DRIVE SHAFT 330-440mm
20"	FLIP BACK & HA T-ARMS (SADDLES + SPACERS REQUIRED)	0°	111507	QUICK RELEASE OAD ZERO CAMBER DRIVE SHAFT 421-491mm
20"	NO ARMS, FLIP-UP & SWING AWAY	2°	111501	QUICK RELEASE OAD CAMBER DRIVE SHAFT 350-460mm
20"	FLIP BACK & HA T-ARMS (SADDLES + SPACERS REQUIRED)	2°	111501	QUICK RELEASE OAD CAMBER DRIVE SHAFT 350-460mm
21"	NO ARMS, FLIP-UP & SWING AWAY	0°	111507	QUICK RELEASE OAD ZERO CAMBER DRIVE SHAFT 421-491mm
21"	FLIP BACK & HA T-ARMS (SADDLES + SPACERS REQUIRED)	0°	111507	QUICK RELEASE OAD ZERO CAMBER DRIVE SHAFT 421-491mm
21"	NO ARMS, FLIP-UP & SWING AWAY	2°	111502	QUICK RELEASE OAD CAMBER DRIVE SHAFT 420-530mm
21"	FLIP BACK & HA T-ARMS (SADDLES + SPACERS REQUIRED)	2°	111502	QUICK RELEASE OAD CAMBER DRIVE SHAFT 420-530mm
22"	NO ARMS, FLIP-UP & SWING AWAY	0°	111507	QUICK RELEASE OAD ZERO CAMBER DRIVE SHAFT 421-491mm
22"	FLIP BACK & HA T-ARMS (SADDLES + SPACERS REQUIRED)	0°	#111860	QUICK RELEASE OAD CAMBER DRIVE SHAFT 485-595mm
22"	NO ARMS, FLIP-UP & SWING AWAY	2°	111502	QUICK RELEASE OAD CAMBER DRIVE SHAFT 420-530mm
22"	FLIP BACK & HA T-ARMS (SADDLES + SPACERS REQUIRED)	2°	111502	QUICK RELEASE OAD CAMBER DRIVE SHAFT 420-530mm

#FOR THIS CONFIGURATION, ONE WHEEL MUST BE REMOVED BEFORE THE DRIVE SHAFT CAN BE INSTALLED. THE SECOND WHEEL CAN BE INSTALLED ONCE THE DRIVE SHAFT IS IN POSITION.

HARDWARE GUIDE

	CURVED REAR FRAME														
	NO ARMS						FLIP BACK AND T-ARMS				SWING AWAY ARMS				
	0° CAMBER			2° CAMBER			0° OR 2° CAMBER				0° CAMBER		2° CAMBER		
NO OPTIONS	101827	M6 X 55 HHCS BLACK ZN	4	100679	M6 X 65 HHCS ZN	4	100679	M6 X 65 HHCS ZN	4	100676	M6 X 55 HHCS ZN	2	100679	M6 X 65 HHCS ZN	2
	100746	M6 FLAT WASHER BLK ZN	4	100746	M6 FLAT WASHER BLK ZN	4	000056	SADDLE	4	100679	M6 X 65 HHCS ZN	2	100544	M6 X 75 HHCS ZN	2
				000056	SADDLE	4	003172	SPACER	4	101826	M6 X 50 HHCS BLACK ZN	1	101826	M6 X 50 HHCS BLACK ZN	1
													000056	SADDLE	4
													003172	SPACER	4
ANTI-TIPS	101827	M6 X 55 HHCS BLACK ZN	2	100679	M6 X 65 HHCS ZN	2	100680	M6 X 70 HHCS ZN	2	101826	M6 X 50 HHCS BLACK ZN	2	100677	M6 X 60 HHCS ZN	2
	100677	M6 X 60 HHCS ZN	2	100680	M6 X 70 HHCS ZN	2	100679	M6 X 65 HHCS ZN	2	100677	M6 X 60 HHCS ZN	1	102996	M6 X 85 HHCS BLACK ZN	2
				000056	SADDLE	4	000056	SADDLE	4	100679	M6 X 65 HHCS ZN	1	101826	M6 X 50 HHCS BLACK ZN	1
				003172	SPACER	4	003172	SPACER	4	100676	M6 X 55 HHCS ZN	1	000056	SADDLE	4
													003172	SPACER	4
TRANSIT	101827	M6 X 55 HHCS BLACK ZN	2	100679	M6 X 65 HHCS ZN	2	102996	M6 X 85 HHCS BLACK ZN	2	101826	M6 X 50 HHCS BLACK ZN	2	100677	M6 X 60 HHCS ZN	2
	100679	M6 X 65 HHCS ZN	2	100544	M6 X 75 HHCS ZN	2	100679	M6 X 65 HHCS ZN	2	100679	M6 X 65 HHCS ZN	2	100660	M6 X 80 HHCS ZN	2
	101826	M6 X 50 HHCS BLACK ZN	1	101826	M6 X 50 HHCS BLACK ZN	1	101827	M6 X 55 HHCS BLACK ZN	1	100676	M6 X 55 HHCS ZN	1	100676	M6 X 55 HHCS ZN	1
				000056	SADDLE	4	000056	SADDLE	4				000056	SADDLE	4
				003172	SPACER	4	003172	SPACER	4				003172	SPACER	4
ANTI-TIPS & TRANSIT	101826	M6 X 50 HHCS BLACK ZN	2	100677	M6 X 60 HHCS ZN	2	100660	M6 X 80 HHCS ZN	2	100676	M6 X 55 HHCS ZN	2	100704	M6 X 90 HHCS ZN	2
	100679	M6 X 65 HHCS ZN	2	102996	M6 X 85 HHCS BLACK ZN	2	100679	M6 X 65 HHCS ZN	2	100679	M6 X 65 HHCS ZN	2	100676	M6 X 55 HHCS ZN	1
				101826	M6 X 50 HHCS BLACK ZN	1	101827	M6 X 55 HHCS BLACK ZN	1				100677	M6 X 60 HHCS ZN	2
				000056	SADDLE	4	000056	SADDLE	4				000056	SADDLE	4
				003172	SPACER	4	003172	SPACER	4				003172	SPACER	4

HARDWARE GUIDE

	DEPTH ADJUSTABLE/SPARK REAR FRAME									
	ANGLE ADJ. LOCKING FLIP UP, TUBULAR FLIP UP, PEDIATRIC T-ARM OR NO ARMS						FLIP BACK AND T-ARMS			
	0° CAMBER			2° CAMBER			0° OR 2° CAMBER			
NO OPTIONS	101826	M6 X 50 HHCS BLACK ZN	4	100677	M6 X 60 HHCS ZN	4		100677	M6 X 60 HHCS ZN	4
	100746	M6 FLAT WASHER BLK ZN	4	100746	M6 FLAT WASHER BLK ZN	4		100746	M6 FLAT WASHER BLK ZN	4
				000055	SADDLE	4		000055	SADDLE	4
								003172	SPACER	4
ANTI-TIPS	101826	M6 X 50 HHCS BLACK ZN	2	100677	M6 X 60 HHCS ZN	2		100679	M6 X 65 HHCS ZN	2
	100676	M6 X 55 HHCS ZN	2	100679	M6 X 65 HHCS ZN	2		100677	M6 X 60 HHCS ZN	2
				000055	SADDLE	4		000055	SADDLE	4
				003172	SPACER	4		003172	SPACER	4
TRANSIT	101826	M6 X 50 HHCS BLACK ZN	2	100677	M6 X 60 HHCS ZN	2		100660	M6 X 80 HHCS ZN	2
	100677	M6 X 60 HHCS ZN	2	100680	M6 X 70 HHCS ZN	2		100677	M6 X 60 HHCS ZN	2
	100674	M6 X 45 HHCS ZN	1	100674	M6 X 45 HHCS ZN	1		101826	M6 X 50 HHCS BLACK ZN	1
				000055	SADDLE	4		000055	SADDLE	4
				003172	SPACER	4		003172	SPACER	4
ANTI-TIPS & TRANSIT	100674	M6 X 45 HHCS ZN	2	100676	M6 X 55 HHCS ZN	2		100544	M6 X 75 HHCS ZN	2
	100677	M6 X 60 HHCS ZN	2	100660	M6 X 80 HHCS ZN	2		100677	M6 X 60 HHCS ZN	2
				100674	M6 X 45 HHCS ZN	1		101826	M6 X 50 HHCS BLACK ZN	1
				000055	SADDLE	4		000055	SADDLE	4
				003172	SPACER	4		003172	SPACER	4